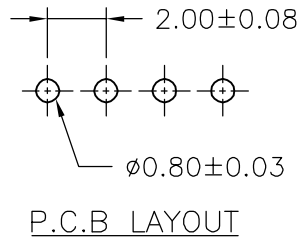
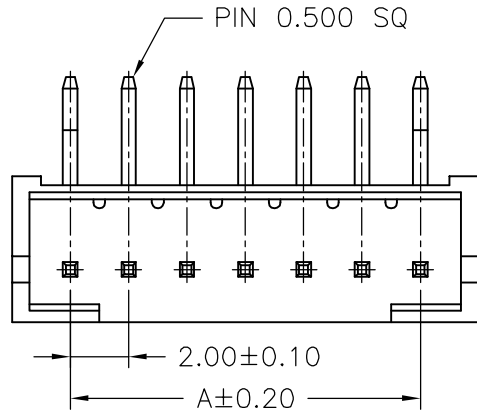


SPECIFICATIONS
 Current Rating: 3A AC,DC
 Voltage Rating: 300V AC,DC
 Temperature Range: -25°C ~ +85°C
 Contact Resistance: 20mΩ Max
 Insulation Resistance: 100MΩ Min
 Withstanding Voltage: 1000V AC/minute
 Pin Material: Brass/Tin-plated
 Material: Nylon 66,UL94V-0
 Pantone Color: 153C~154C



Ordering Information:

A2100WR-XP*

1 2

1.Part No.

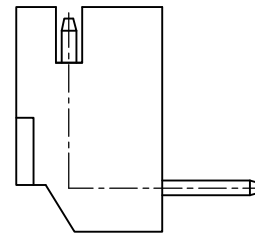
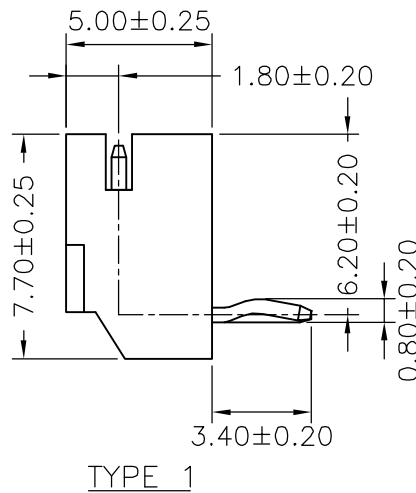
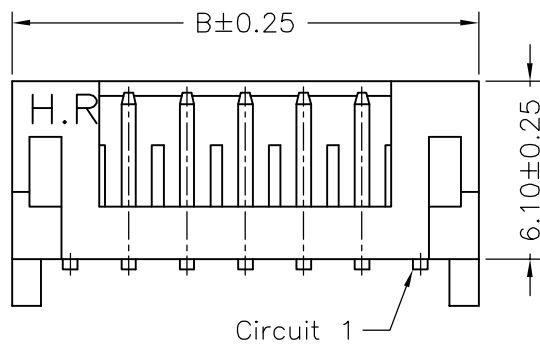
2.Style:

1-Type 1

2-Type 2

Ordering Information & Dimensions

PART NO.	Dimensions	
	A	B
A2100WR-02P	2.00	6.00
A2100WR-03P	4.00	8.00
A2100WR-04P	6.00	10.00
A2100WR-05P	8.00	12.00
A2100WR-06P	10.00	14.00
A2100WR-07P	12.00	16.00
A2100WR-08P	14.00	18.00
A2100WR-09P	16.00	20.00
A2100WR-10P	18.00	22.00
A2100WR-11P	20.00	24.00
A2100WR-12P	22.00	26.00
A2100WR-13P	24.00	28.00
A2100WR-14P	26.00	30.00
A2100WR-15P	28.00	32.00



TYPE 2

				UNIT		SCALE	SHEET	TITLE:
				mm	1 of 1	2.00mm PITCH 90° WAFER		
		DRAWN BY		APPROVED BY		DRAW NO. : A2100WR-XPX		
		董正一		董正一				
		2001.02.01		2001.02.01				
		GENERAL TOLERANCE						
B1	REVISE	2009.04.23	X.X±0.25	ANGLE±				
B0	NEW RELEASE	2006.01.07	X.XX±0.15					
REV.	DESCRIPTION	DATE	X.XXX±0.05					