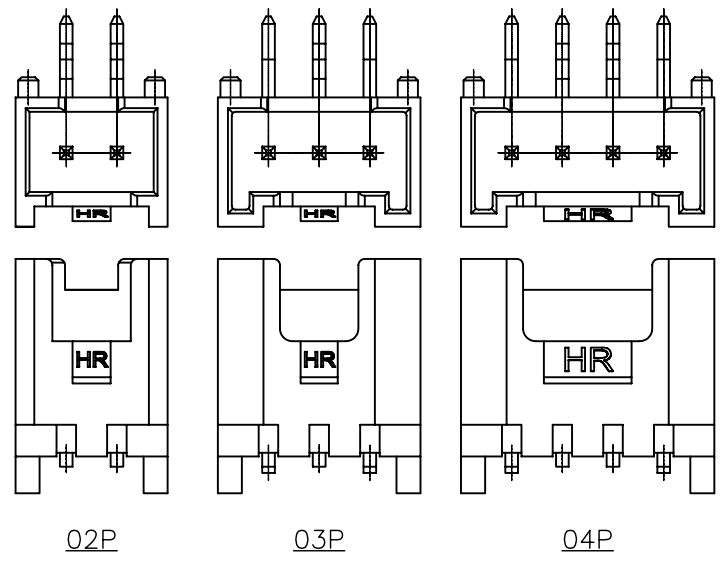
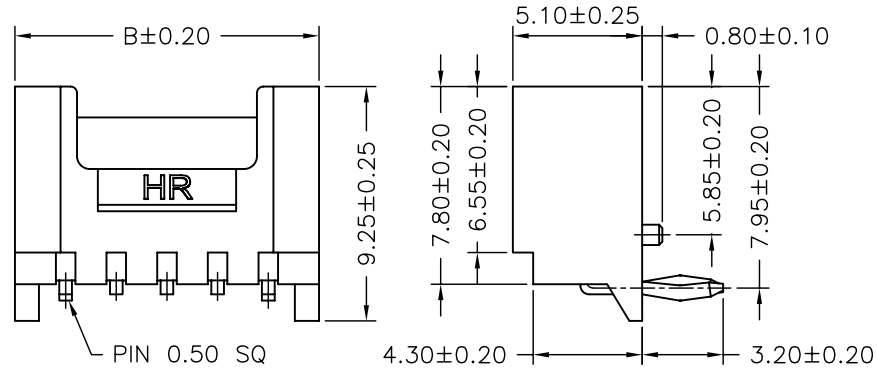


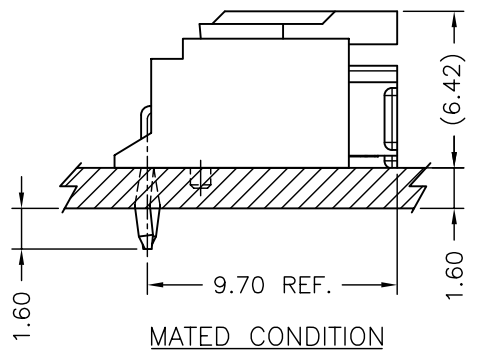
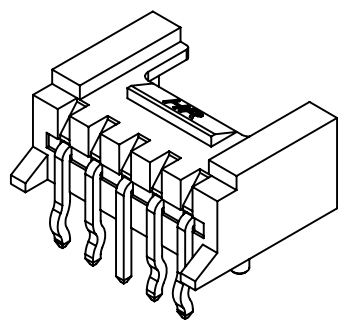
P/N LEGEND

A2006WR-F-XP N L N G1 N K0 G										
①	②	③	④	⑤	⑥	⑦	⑧	⑨	⑩	⑪
①	Series No.									
②	Connector type: WR=Right angle									
③	Mounting type: F=With foot									
④	No. of circuits									
⑤	N=Halogen Free									
⑥	Material: L=LCP									
⑦	Color:N=Natural									
⑧	Plating code for contacts: G1=Gold-flash									
⑨	Plating code for solder tabs: N=Non-plating									
⑩	Option code:K0=With pin kink									
⑪	Packing code: G=Bag									

**SPECIFICATIONS**  
 Current Rating: 3A AC,DC  
 Voltage Rating: 250V AC,DC  
 Temperature Range: -25°C ~ +85°C  
 Contact Resistance: 30mΩ Max  
 Insulation Resistance: 1000MΩ Min  
 Withstanding Voltage: 1000V AC/minute  
 Pin Material: Brass/Gold-flash  
 Material: LCP,UL94V-0  
 Color: Natural



Circuit No.	Dimensions	
	A	B
02P	2.00	6.00
03P	4.00	8.00
04P	6.00	10.00
05P	8.00	12.00
06P	10.00	14.00
07P	12.00	16.00
08P	14.00	18.00
09P	16.00	20.00
10P	18.00	22.00
11P	20.00	24.00
12P	22.00	26.00
13P	24.00	28.00
14P	26.00	30.00
15P	28.00	32.00
16P	30.00	34.00



燦達電子工業股份有限公司 JOINT TECH ELECTRONIC IND. CO., LTD.				UNIT	SCALE	SHEET	TITLE:
				mm	1 : 1	1 of 1	
DRAWN BY		APPROVED BY		2.00mm PITCH 90° WAFER, WITH BOSS, KINK			
劉包根		陳彥兆					
2014.03.04		2014.03.04					
GENERAL TOLERANCE				DRAW NO. :			
X. X±0.25		ANGLE±		A2006WR-F-XPXXXXXXXXX			
X. XX±0.15		▽					
X. XXX±0.05		⊕		REV. A0			
A0	NEW RELEASE	2014.03.04	劉包根				
REV.	DESCRIPTION	DATE	NAME				