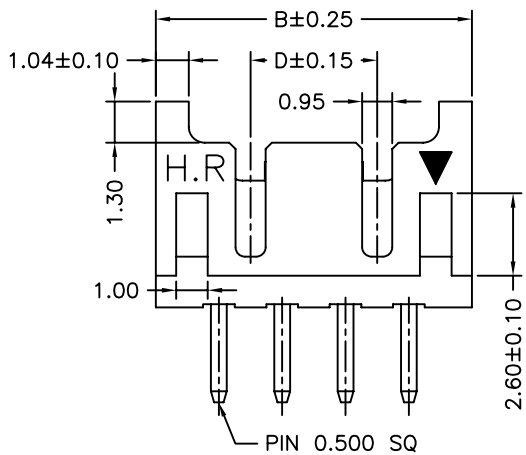
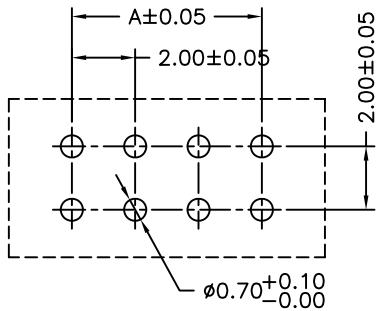


(TOP VIEW)



2X05~2X21P

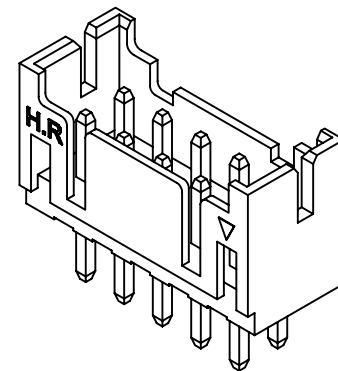


P.C.B LAYOUT

P/N LEGEND

A2004 WV-2XNP XXX
① ② ③ ④

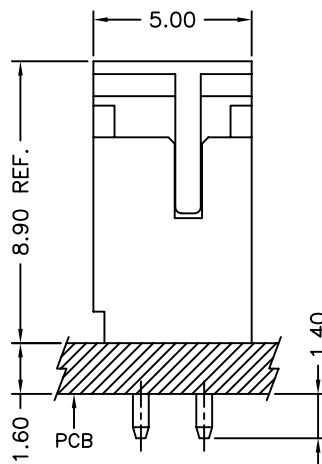
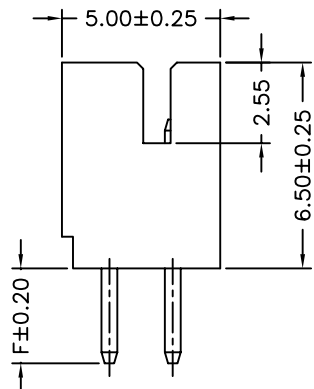
- ① Series No.
 - ② Connector type: WV=Vertical
 - ③ No. of circuits
 - ④ Option code:
- Blank= Nylon 66-V0, Gray(7528C), Tin-plated, Dim. F:3.00mm
 WH=Nylon 66-V0, Natural(White), Tin-plated, Dim. F:3.00mm
 BL=Nylon 66-V0, Blue(660C), Tin-plated, Dim. F:3.00mm
 GR=Nylon 66-V0, Green(347C), Tin-plated, Dim. F:3.00mm
 46=Nylon 46-V0, Natural(Beige), Tin-plated, Dim. F:3.00mm
 46G=Nylon 46-V0, Natural(Beige), Gold-flash, Dim. F:3.00mm
 101=Nylon 46-V0, Natural(Black), Gold-flash, Dim. F:3.00mm
 102=Nylon 46-V0, Natural(Black), Gold-plated 8u", Dim. F:3.00mm
 Y01=Nylon 66-V0, Natural(7528C), Tin-plated, Dim. F:2.00mm
 Y11=Nylon 46-V0, Natural(Beige), Tin-plated, Dim. F:2.50mm
 Y21=Nylon 46-V0, Natural(Beige), Gold-flash, Dim. F:2.50mm
 Y02=Nylon 66-V0, Natural(7528C), Tin-plated, Dim. F:2.00mm
 Y12=Nylon 46-V0, Natural(Beige), Tin-plated, Dim. F:2.00mm
 Y23=Nylon 46-V0, Natural(Beige), Gold-flash, Dim. F:1.50mm



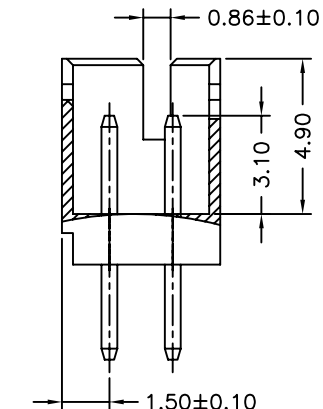
SPECIFICATIONS

Current Rating: 3A AC,DC
 Voltage Rating: 250V AC,DC
 Temperature Range: -25°C ~ +85°C
 Contact Resistance: 10mΩ Max.
 Insulation Resistance: 1000MΩ Min.
 Withstanding Voltage: 800V AC/minute
 Pin Material: Brass

| Circuit No. | Dimensions | | | | Circuit No. | Dimensions | | | |
|-------------|------------|-------|-------|-------|-------------|------------|-------|-------|-------|
| | A | B | C | D | | A | B | C | D |
| 2X02P | 2.00 | 6.00 | 4.70 | --- | 2X14P | 26.00 | 30.00 | 28.70 | 24.00 |
| 2X03P | 4.00 | 8.00 | 6.70 | --- | 2X15P | 28.00 | 32.00 | 30.70 | 26.00 |
| 2X04P | 6.00 | 10.00 | 8.70 | --- | 2X16P | 30.00 | 34.00 | 32.70 | 28.00 |
| 2X05P | 8.00 | 12.00 | 10.70 | 6.00 | 2X17P | 32.00 | 36.00 | 34.70 | 30.00 |
| 2X06P | 10.00 | 14.00 | 12.70 | 8.00 | 2X18P | 34.00 | 38.00 | 36.70 | 32.00 |
| 2X07P | 12.00 | 16.00 | 14.70 | 10.00 | 2X19P | 36.00 | 40.00 | 38.70 | 34.00 |
| 2X08P | 14.00 | 18.00 | 16.70 | 12.00 | 2X20P | 38.00 | 42.00 | 40.70 | 36.00 |
| 2X09P | 16.00 | 20.00 | 18.70 | 14.00 | 2X21P | 40.00 | 44.00 | 42.70 | 38.00 |
| 2X10P | 18.00 | 22.00 | 20.70 | 16.00 | 2X22P | 42.00 | 46.00 | 44.70 | 40.00 |
| 2X11P | 20.00 | 24.00 | 22.70 | 18.00 | 2X23P | 44.00 | 48.00 | 46.70 | 42.00 |
| 2X12P | 22.00 | 26.00 | 24.70 | 20.00 | 2X24P | 46.00 | 50.00 | 48.70 | 44.00 |
| 2X13P | 24.00 | 28.00 | 26.70 | 22.00 | | | | | |



MATED CONDITION



燦達電子工業股份有限公司
 JOINT TECH ELECTRONIC IND. CO., LTD.

| | | |
|-------------------|--------------|----------------|
| UNIT | SCALE | SHEET |
| mm | 1 : 1 | 1 of 1 |
| DRAWN BY | APPROVED BY | |
| 董正一 | 董正一 | |
| 2001.02.01 | 2001.02.01 | |
| GENERAL TOLERANCE | | |
| B4 | EN1312160434 | 2013.12.16 郭木思 |
| B3 | EN1205310181 | 2012.05.31 陳錦展 |
| B2 | EN1103280080 | 2011.03.25 陳錦展 |
| REV. | DESCRIPTION | DATE NAME |
| | X.X±0.25 | ANGLE± |
| | X.XX±0.15 | |
| | X.XXX±0.05 | |

TITLE:
 2.00mm PITCH
 180° WAFER

DRAW NO.: A2004WV-2XNP REV. B4