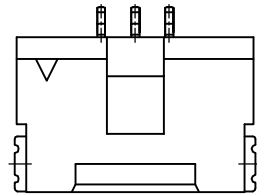
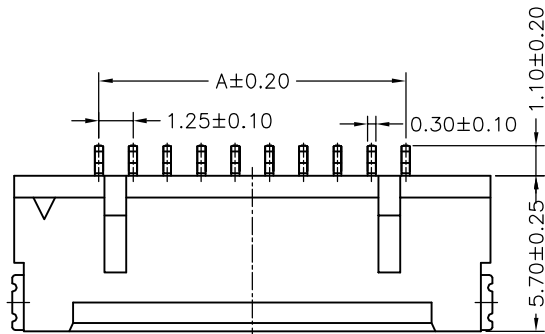
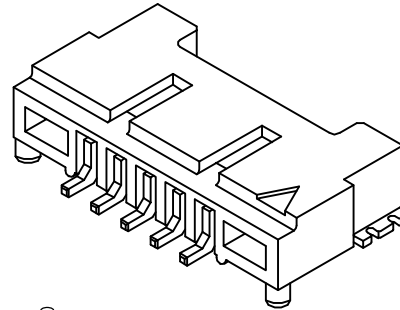


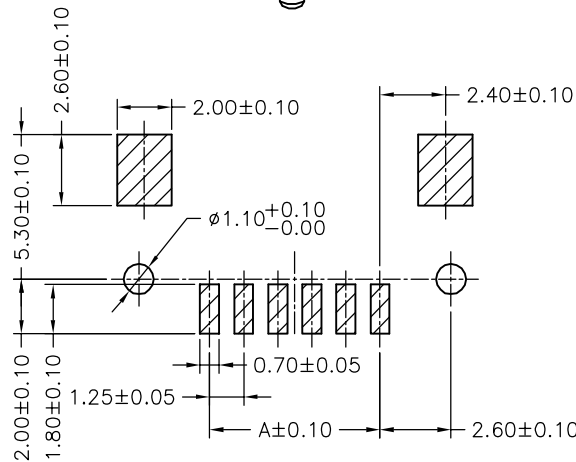
02P



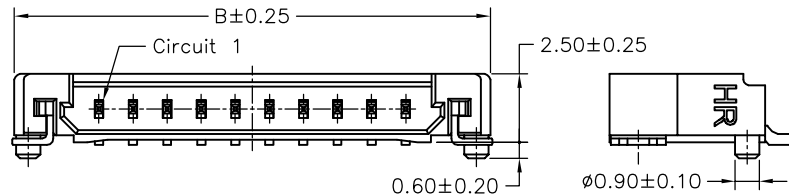
03P



04P~30P



P.C.B. LAYOUT



SPECIFICATIONS

Current Rating: 1A AC,DC
 Voltage Rating: 150V AC,DC
 Temperature Range: -25°C ~ +85°C
 Contact Resistance: 30mΩ Max.
 Insulation Resistance: 500MΩ Min.
 Withstanding Voltage: 500V AC/minute
 Pin Material: Brass/Tin-plated
 Solder Tabs: Brass/Tin-plated
 Material: Nylon 6T,UL94V-0
 Color: Natural(Beige)

Ordering Information & Dimensions

PART NO.	Dimensions	
	A	B
A1253WR-SF-02P	1.25	7.45
A1253WR-SF-03P	2.50	8.70
A1253WR-SF-04P	3.75	9.95
A1253WR-SF-05P	5.00	11.20
A1253WR-SF-06P	6.25	12.45
A1253WR-SF-07P	7.50	13.70
A1253WR-SF-08P	8.75	14.95
A1253WR-SF-09P	10.00	16.20
A1253WR-SF-10P	11.25	17.45
A1253WR-SF-11P	12.50	18.70
A1253WR-SF-12P	13.75	19.95
A1253WR-SF-13P	15.00	21.20
A1253WR-SF-14P	16.25	22.45
A1253WR-SF-15P	17.50	23.70
A1253WR-SF-20P	23.75	29.95
A1253WR-SF-21P	25.00	31.20
A1253WR-SF-25P	30.00	36.20
A1253WR-SF-30P	36.25	42.45

UNIT	SCALE	SHEET	TITLE:
mm		1 of 2	1.25mm PITCH
DRAWN BY	APPROVED BY	90° WAFER-SMT TYPE	
李勤	董正一	ULTRA LOW PROFILE	
2005.12.08	2005.12.08	DRAW NO. : A1253WR-SF-XP	
GENERAL TOLERANCE		ANGLE±	REV. A2
A2	REVISE	2008.01.25	
A1	REVISE	2007.01.03	
A0	NEW RELEASE	2005.12.08	
REV.	DESCRIPTION	DATE	