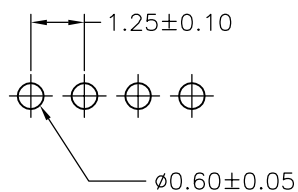
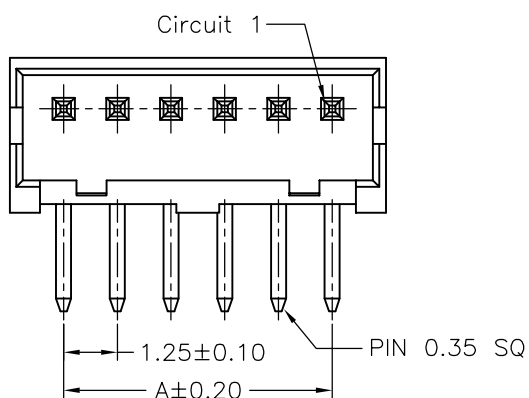


SPECIFICATIONS

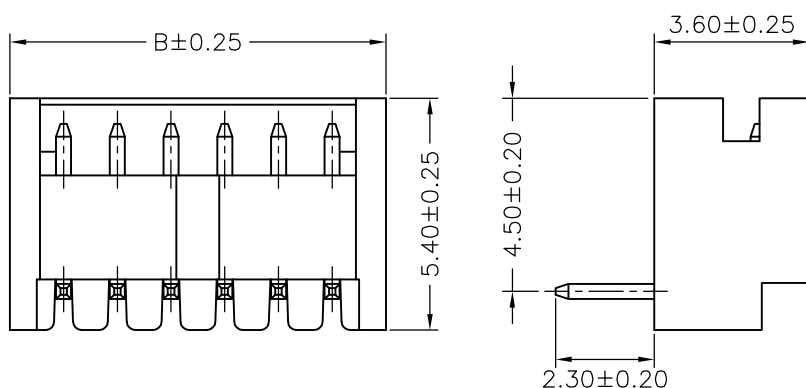
Current Rating: 1A AC,DC
 Voltage Rating: 150V AC,DC
 Temperature Range: -25°C ~ +85°C
 Contact Resistance: 30mΩ Max.
 Insulation Resistance: 500MΩ Min.
 Withstanding Voltage: 500V AC/minute
 Pin Material: Brass/Tin-plated
 Material: Nylon 66,UL94V-0
 Pantone Color: 7529C~7530C

Ordering Information & Dimensions

PART NO.	Dimensions	
	A	B
A1252WR-02P	1.25	3.75
A1252WR-03P	2.50	5.00
A1252WR-04P	3.75	6.25
A1252WR-05P	5.00	7.50
A1252WR-06P	6.25	8.75
A1252WR-07P	7.50	10.00
A1252WR-08P	8.75	11.25
A1252WR-09P	10.00	12.50
A1252WR-10P	11.25	13.75
A1252WR-11P	12.50	15.00
A1252WR-12P	13.75	16.25
A1252WR-13P	15.00	17.50
A1252WR-14P	16.25	18.75
A1252WR-15P	17.50	20.00



P.C.B LAYOUT



				UNIT	SCALE	SHEET	TITLE:
				mm		1 of 1	
		DRAWN BY		APPROVED BY		REV. NO. : A1252WR-XP	
		董正一		董正一			
		2001.02.01		2001.02.01			
		GENERAL TOLERANCE		ANGLE±		REV. BO	
		X. X±0.25		▷			
		X. XX±0.15					
		X. XXX±0.05					
BO	NEW RELEASE	2006.05.31					
REV.	DESCRIPTION	DATE					