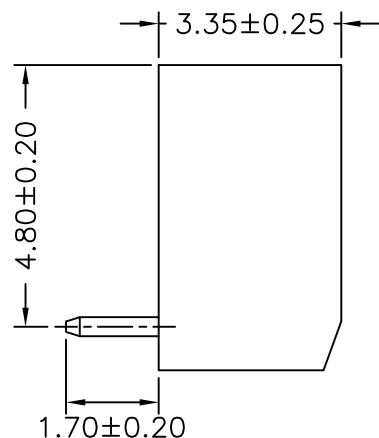
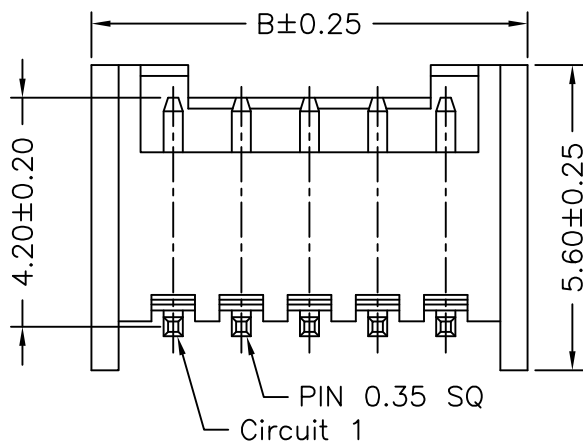
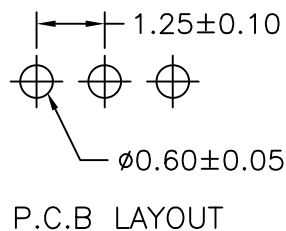
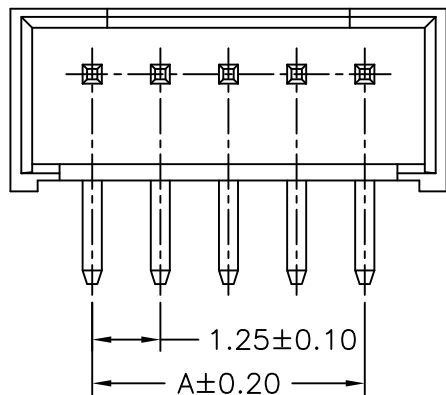


SPECIFICATIONS
 Current Rating: 1A AC,DC
 Voltage Rating: 200V AC,DC
 Temperature Range: -25°C ~ +85°C
 Contact Resistance: 20mΩ Max.
 Insulation Resistance: 100MΩ Min.
 Withstanding Voltage: 500V AC/minute
 Pin Material: Brass/Tin-plated
 Material: Nylon 66,UL94V-0
 Pantone Color: 472C



Ordering Information & Dimensions

PART NO.	Dimensions	
	A	B
A1251WR-02P	1.25	4.25
A1251WR-03P	2.50	5.50
A1251WR-04P	3.75	6.75
A1251WR-05P	5.00	8.00
A1251WR-06P	6.25	9.25
A1251WR-07P	7.50	10.50
A1251WR-08P	8.75	11.75
A1251WR-09P	10.00	13.00
A1251WR-10P	11.25	14.25
A1251WR-11P	12.50	15.50
A1251WR-12P	13.75	16.75
A1251WR-13P	15.00	18.00
A1251WR-14P	16.25	19.25
A1251WR-15P	17.50	20.50

			UNIT	SCALE	SHEET	TITLE:
			mm		1 of 1	1.25mm PITCH 90° WAFER
			DRAWN BY	APPROVED BY		
			董正一	董正一		
			2001.02.01	2001.02.01		
B2	ADD DIMENSION	2013.11.06	GENERAL TOLERANCE			
B1	REVISE	2007.12.20	X.X±0.25	ANGLE±		
B0	NEW RELEASE	2005.11.29	X.XX±0.15			
REV.	DESCRIPTION	DATE	X.XXX±0.05			
			DRAW NO. :			REV.
			A1251WR-XP			B2