

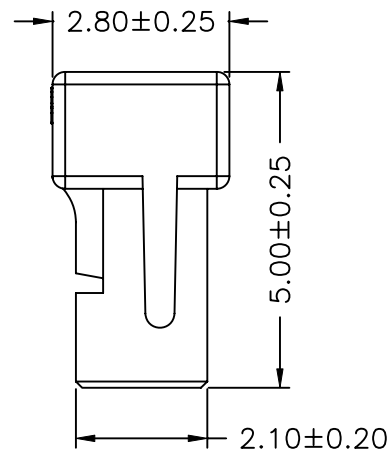
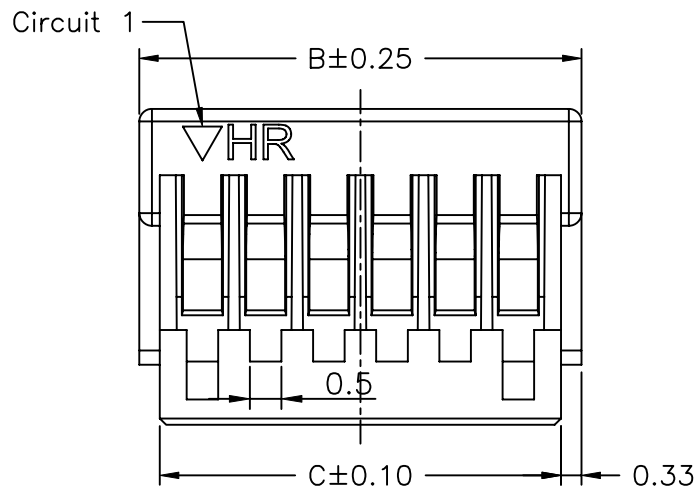
P/N LEGEND

A1001	HB-XP	N	0	W	NP	N	20	G	
①	②	③	④	⑤	⑥	⑦	⑧	⑨	⑩

① Series No.
 ② Connector type: HB=Housing B type
 ③ No. of circuits
 ④ N=Halogen Free
 ⑤ Material: 0=Nylon 66-V0+15%GF
 ⑥ Color: W=White
 ⑦ Plating code: NP=Non-plating
 ⑧ Plating code: N=Non-plating
 ⑨ Option code: 20=Without ear
 ⑩ Packing code: G=Bag

SPECIFICATIONS

Current Rating: 1A AC,DC
 Voltage Rating: 50V AC,DC
 Temperature Range: -25°C ~ +85°C
 Contact Resistance: 20mΩ Max.
 Insulation Resistance: 100MΩ Min.
 Withstanding Voltage: 500V AC/minute



Circuit No.	Dimensions			Circuit No.	Dimensions		
	A	B	C		A	B	C
02P	1.00	3.00	2.35	12P	11.00	13.00	12.35
03P	2.00	4.00	3.35	13P	12.00	14.00	13.35
04P	3.00	5.00	4.35	14P	13.00	15.00	14.35
05P	4.00	6.00	5.35	15P	14.00	16.00	15.35
06P	5.00	7.00	6.35	16P	15.00	17.00	16.35
07P	6.00	8.00	7.35	17P	16.00	18.00	17.35
08P	7.00	9.00	8.35	18P	17.00	19.00	18.35
09P	8.00	10.00	9.35	19P	18.00	20.00	19.35
10P	9.00	11.00	10.35	20P	19.00	21.00	20.35
11P	10.00	12.00	11.35	24P	23.00	25.00	24.35

				燦達電子工業股份有限公司 JOINT TECH ELECTRONIC IND. CO., LTD.			
				UNIT	SCALE	SHEET	TITLE:
				mm	1 : 1	1 of 1	1.00mm PITCH HOUSING WITHOUT PROTRUSIONS
				DRAWN BY	APPROVED BY		
				陳彥兆 2013.05.20	謝瑞清 2013.05.20		
				GENERAL TOLERANCE			
A1	EN1608250008	2013.08.31	賴永強	X.X±0.25	ANGLE±		DRAW NO. : A1001HB-XPXXXXX20X
AO	NEW RELEASE	2013.05.20	陳錦展	X.XX±0.15			
REV.	DESCRIPTION	DATE	NAME	X.XXX±0.05			

A

B

C

D

A

B

C

D

1

2

3

4

1

2

3

4