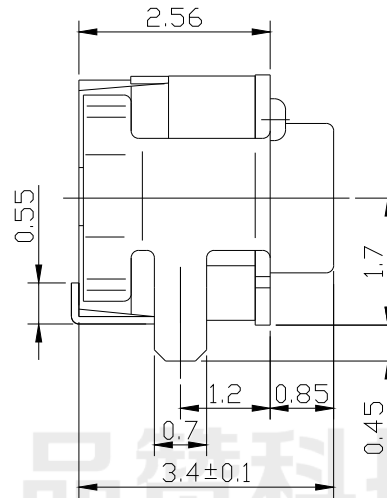


底视图



GT-TC108X-HXXX-LX

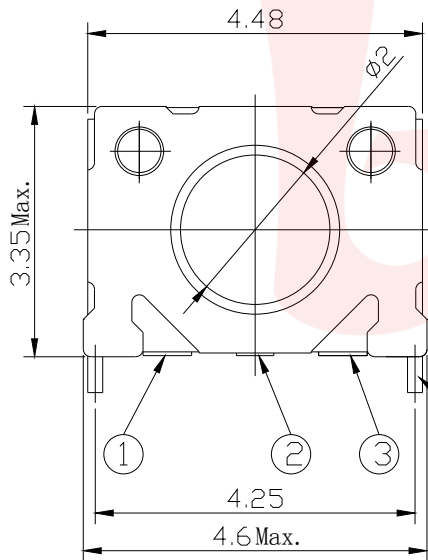
G-SWITCH

Operating Force

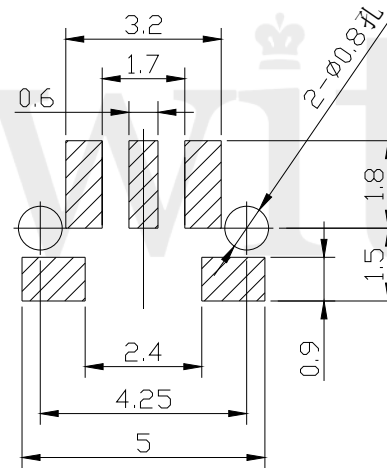
A=180gf
B=250gf

Switch Height (mm)
H034=3.4mm

Switch lifetime (Force)
L1=100,000 Cycles



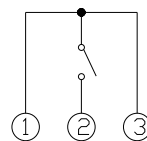
客户不需按装脚
时可切除



P.C.B LAND DIMENSION

G-Switch Specification:

Operating temperature range -30 to+85
Rating 50mA.12V DC
Insulation resistance: 100MΩ min.100V DC
Dielectric strength 250V AC for 1 min
Contact resistance: 100m Ω max.
Travel:0.25±0.1mm



电路图



G-Switch Electronic (HongKong) CO.,Ltd.

Unless otherwise specified, Tolerance:
X. ±0.30
X.x ±0.20
X.xx ±0.15
X.xxx ±0.10
Angles ±3°

DESIGN FengFengChen DATE 2019.05.29
CHECKED DATE
APPROVED DATE
<http://www.dg-switch.com>
TEL:0769-82388879

Molde code:
GT-TC108X-HXXX-LX
REV.: X1 SCALE: 4:1 UNIT: mm
SIZE: A4 SHEET: 1/1