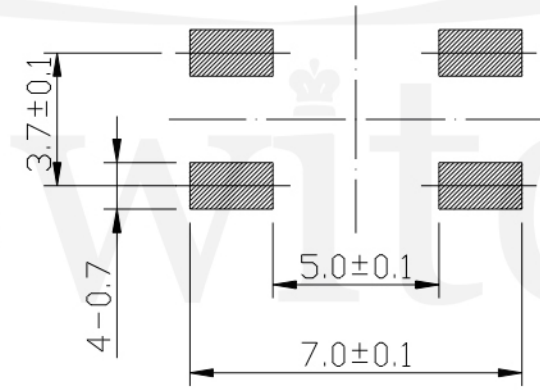
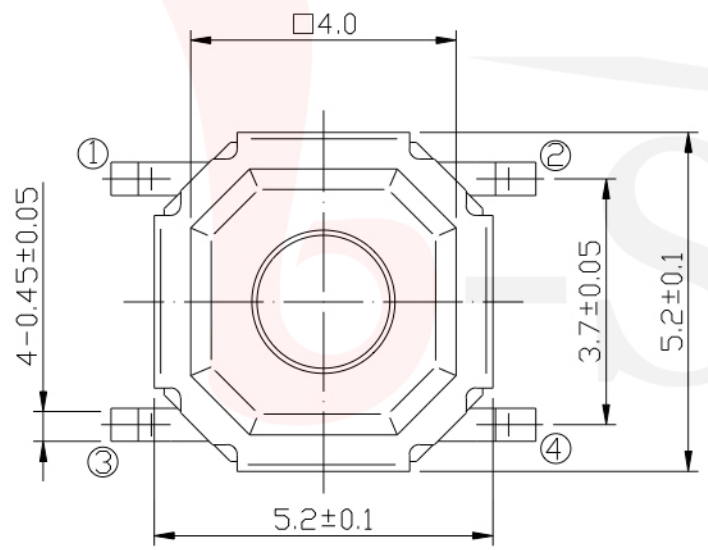


REFERENCE DRAWING



GT-TC084X-HXXX-LX



P.C.B LAND DIMENSION

G-SWITCH

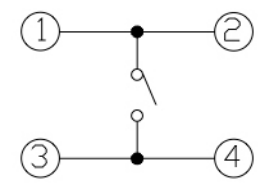
Operating Force
 A=160gf
 B=250gf
 C=100gf
 E=130gf

Switch Height (mm)
 H015=1.5 H016=1.6
 H017=1.7 H020=2.0
 H025=2.5 H030=3.0
 H035=3.5 H040=4.0
 H043=4.3 H045=4.5
 H050=5.0 H055=5.5
 H060=6.0 H065=6.5
 H070=7.0 H075=7.5

Switch lifetime (Force)
 L1=100,000 Cycles
 L3=300,000 Cycles
 L5=500,000 Cycles
 L10=1,000,000 Cycles

G-Switch Specification:

Operating temperature range : -30°Cto+85°C
 Rating : 50mA.12V DC
 Insulation resistance : 100MΩ min.100V DC
 Dielectric strength : 250V AC for 1 min
 Contact resistance : 100m Ω max.
 Travel:0.25±0.1mm



CIRCUIT DIAGRAM



G-Switch Electronic (HongKong) CO.,Ltd.

Unless otherwise specified, Tolerance: X. ±0.30 X.x ±0.20 X.xx ±0.15 X.xxx ±0.10 Angles ±3°	DESIGN FengFengChen	DATE 2019.05.29	Molde code:		
	CHECKED	DATE	GT-TC084X-HXXX-LX		
	APPROVED	DATE			
	http://www.dg-switch.com		REV.: X1 SCALE: 4:1 UNIT: mm		
TEL:0769-82388879		SIZE: A4 SHEET: 1/1			