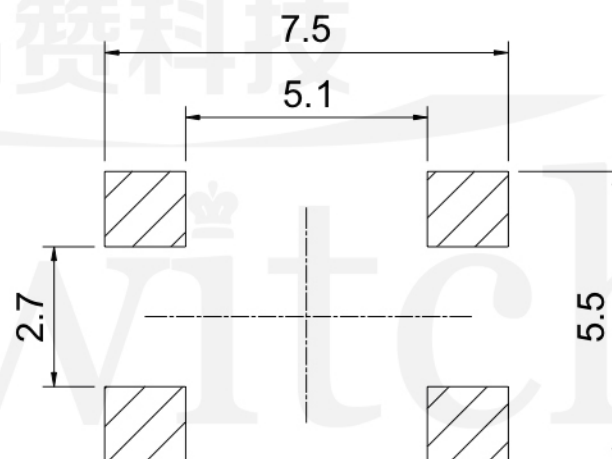
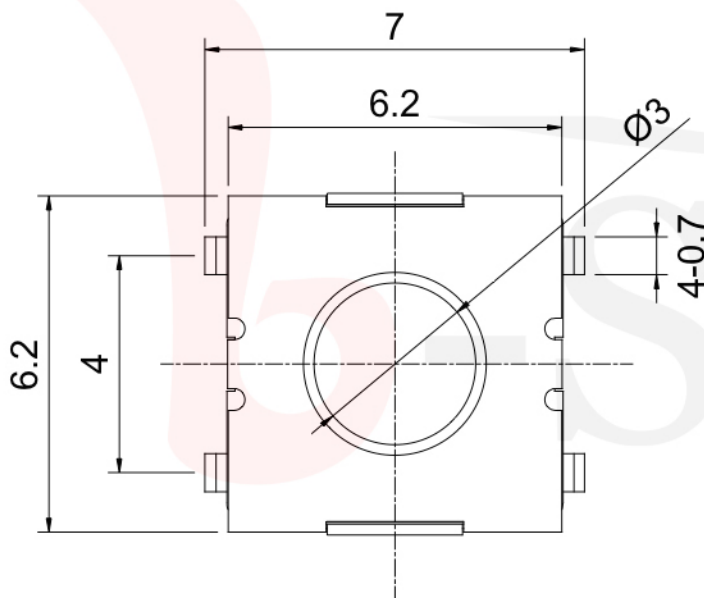


GT-TC063X-HXXX-LX



P.C.B LAND DIMENSION

G-SWITCH

Operating Force

- A=160gf
- B=250gf
- C=100gf
- D=350gf
- E=130gf
- F=70gf

Switch Height (mm)

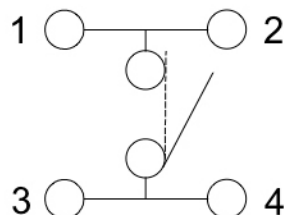
- H020=2.0mm
- H025=2.5mm
- H031=3.1mm

Switch lifetime (Force)

- L10=1,000,000 Cycles(A, E)
- L30=300,000 Cycles(C, E, F)
- L1=100,000 Cycles(B, D)

G-Switch Specification:

Operating temperature range : -30°C to +85°C
 Rating : 50mA, 12V DC
 Insulation resistance : 100MΩ min. 100V DC
 Dielectric strength : 250V AC for 1 min
 Contact resistance : 100mΩ max.
 Travel: 0.2-0.25±0.1mm



CIRCUIT



G-Switch Electronic (HongKong) CO.,Ltd.

Unless otherwise specified, Tolerance:
 X. ±0.30
 X.x ±0.20
 X.xx ±0.15
 X.xxx ±0.10
 Angles ±3°

DESIGN FengFengChen DATE 2019.05.29
 CHECKED DATE
 APPROVED DATE
<http://www.dg-switch.com>
 TEL:0769-82388879

Molde code:
GT-TC063X-HXXX-LX
 REV.: X1 SCALE: 4:1 UNIT: mm
 SIZE: A4 SHEET: 1/1