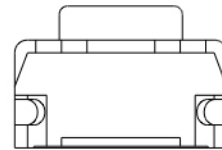
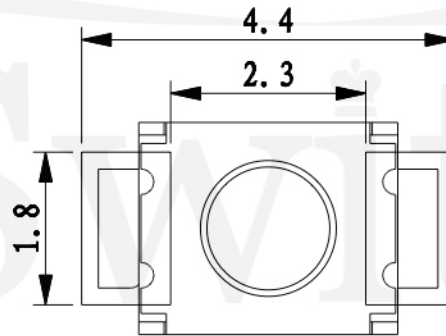
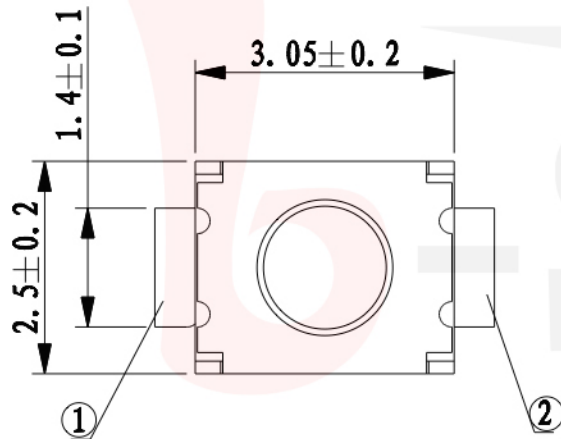


$0.15 \pm 0.05\text{mm}$
Travel



GT-TC032X-HXXX-LX

P. C. B LAYOUT



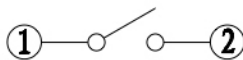
G-SWITCH

Operating Force
A=160gf
B=250gf
C=100gf

Switch Height (mm)
H015=1.5mm
H017=1.7mm

Switch lifetime (Force)
L1=100,000 Cycles

CIRCUIT



G-Switch Specification:

Operating temperature range : -30°Cto+85°C
Rating : 50mA.12V DC
Insulation resistance : 100MΩ min.100V DC
Dielectric strength : 250V AC for 1 min
Contact resistance : 100m Ω max.
Travel:0.15±0.05mm



G-Switch Electronic (HongKong) CO.,Ltd.

Unless otherwise specified, Tolerance:
X. ±0.30
X.x ±0.20
X.xx ±0.15
X.xxx ±0.10
Angles ±3°

DESIGN FengFengChen	DATE 2019.05.29
CHECKED	DATE
APPROVED	DATE
http://www.dg-switch.com	
TEL:0769-82388879	

Molde code: GT-TC032X-HXXX-LX		
REV.: X1	SCALE: 4:1	UNIT: mm
SIZE: A4	SHEET: 1/1	