

# GT-TA090X-HXXX-LX

## G-SWITCH Operating Force

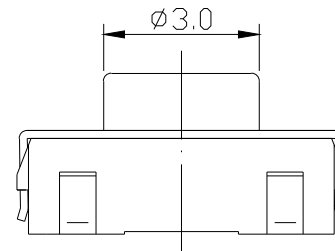
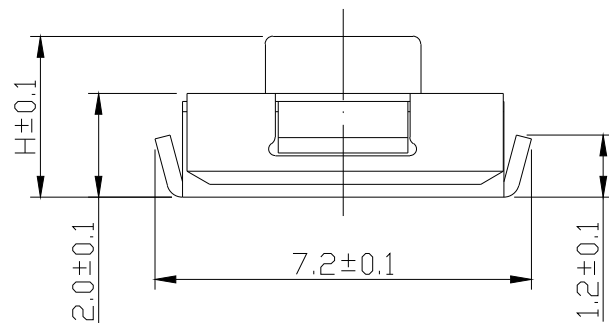
- A=160gf
- B=250gf
- C=100gf

## Switch Height (mm)

- H025=2.5 H031=3.1
- H035=3.5 H038=3.8
- H043=4.3 H050=5.0

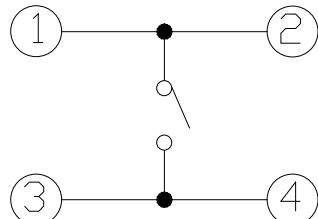
## Switch lifetime (Force)

- L1=100,000 Cycles
- L3=300,000 Cycles



## G-Switch Specification:

Operating temperature range: -30°C to +85°C  
 Rating: 50mA, 12V DC  
 Insulation resistance: ≥ 100MΩ min. 100V DC  
 Dielectric strength: 250V AC for 1 min  
 Contact resistance: ≤ 100mΩ max.  
 Travel: 0.25 ± 0.1mm



CIRCUIT DIAGRAM



Unless otherwise specified, Tolerance:  
 X. ±0.30  
 X.x ±0.20  
 X.xx ±0.15  
 X.xxx ±0.10  
 Angles ±3°

G-Switch Electronic (HongKong) CO., Ltd.

DESIGN Bright Lee DATE 2016.05.29

CHECKED DATE

APPROVED DATE

<http://www.dg-switch.com>

TEL: 0769-82388879

Molde code:

**GT-TCA090X-HXXX-LX**

REV.: X1 SCALE: 4:1 UNIT: mm

SIZE: A4 SHEET: 1/1

