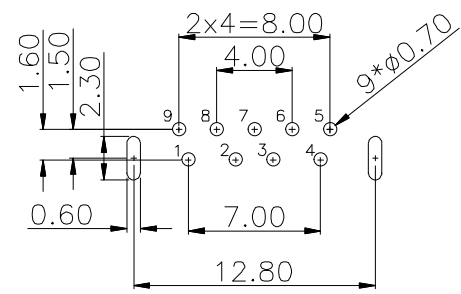
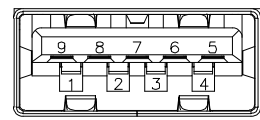
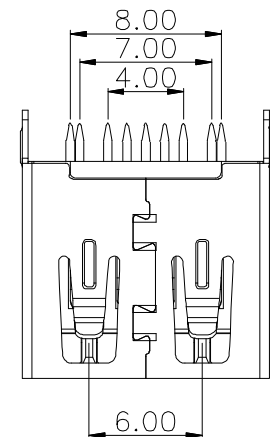
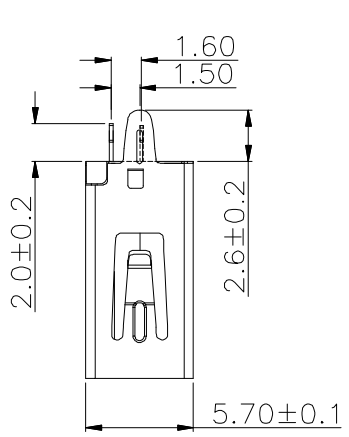
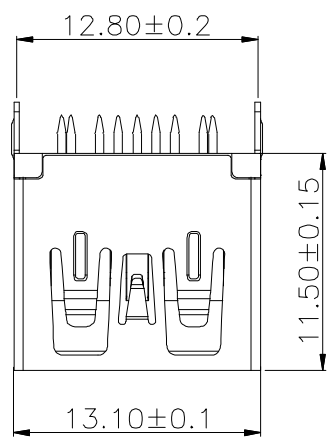
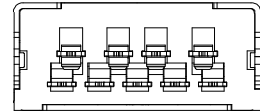
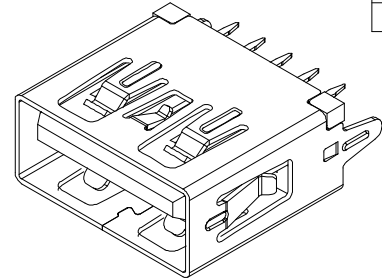


RoHS 2.0

| PIN NUMBER | SIGNAL NAME |
|------------|-------------|
| PIN 1 | Vbus |
| PIN 2 | D- |
| PIN 3 | D+ |
| PIN 4 | GND |
| PIN 5 | StdA_SSRX- |
| PIN 6 | StdA_SSRX+ |
| PIN 7 | GND_DRAIN |
| PIN 8 | StdA_SSTX- |
| PIN 9 | StdA_SSTX+ |
| SHELL | GND |



RECOMMENDER P.C.B.LAYOUT TOP VIEW
(COMPONENT SIDE TOLERANCE±0.05)

| REV. | ECN NO. | DESCRIPTION | DATE | DESIGN |
|------|---------|-------------|----------|--------|
| A0 | | 新版发行 | 19/03/05 | Yang |
| A1 | | 新版发行 | 20/12/31 | LiHui |

NOTES:

- MATERIAL:
 - HOUSING: LCP ,COLOR IS BLUE,HIGH TEMPERATURE PLASTIC;
 - CONTACT: BRASS (H65 T=0.20&0.25mm);
 - SHELL: COLD ROLLED IRON (SPCC T=0.30mm);
- ELECTRICAL:
 - VOLTAGE RATING: 30V DC ;
 - CURRENT RATING: 1.5A ;
 - CONTACT RESISTANCE: 30MILLIOHMS MAX.;
 - WITHSTAND VOLTAGE: 100 VAC RMS 50(60)Hz,1MIN.;
 - INSULATION RESISTANCE: 100MEGOHMS MIN @500V DC;
- MECHANICAL:
 - MATING FORCE: 35N MAX.;
 - UNMATING FORCE: 5~35N ;
 - OPERATING LIFE: 1500 CYCLES MIN.;
- PLATING:
 - TERMINAL:
 - NI PLATING OVER ALL,
 - Tin PLATING ON SOLDER AREA,
 - Au G/Fu" ON CONTACT AREA;
 - SHELL: NI PLATING OVER ALL;
- ENVIRONMENTAL:
 - STORAGE TEMPERATURE RANGE: -40°C~+85°C;
 - OPERATION TEMPERATURE RANGE: -25°C~+70°C;

富 港 电 子

| | | | | | |
|--|--|--------------------------------------|---------------|-------------------------------------|---------------|
| UNLESS OTHERWISE SPECIFIED: GENERAL TOLERANCE: X. xxx ±0.10 X. xx ±0.20 X. x ±0.30 | | NAME: 3.0 A母180° L11.5平口直脚 | | P/N: DWG NO: ST-003-02-11.5-Z | |
| THIRD ANGLE PROJECTION | | UNIT: MM | SCALE: 1:1 | SIZE: A4 | SHEET: 1/1 |
| DRAWN: | | CHECKED: | | APPROVED: | |
| ANGULAR: X. xx° ±1° X. x° ±3° X. ° ±5° | | | | | |