

REV.	ECN NUMBER	DESCRIPTION	DATE	DRAWN	CHECKD	APPROVED
BI	ECN150330	图纸标注更新	10/20/16'	ZC		

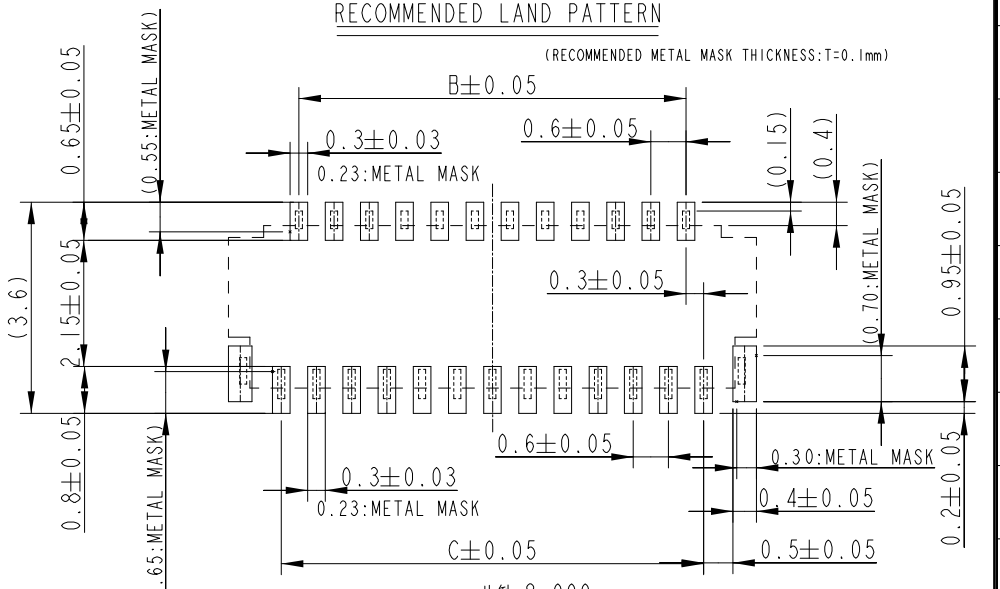
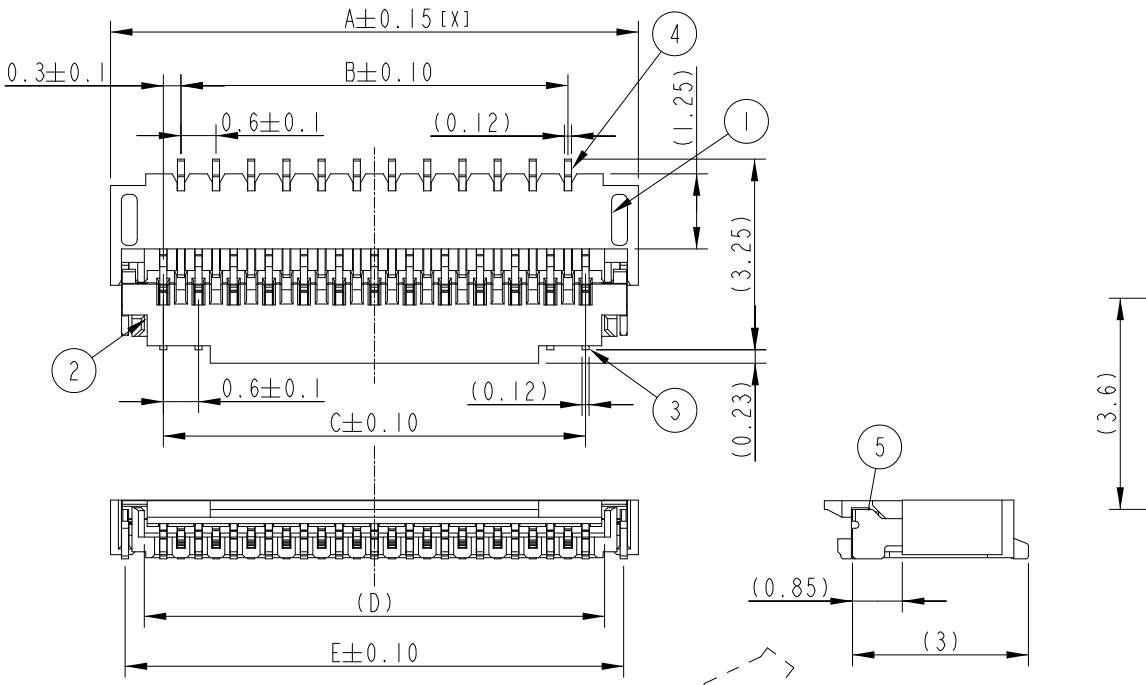
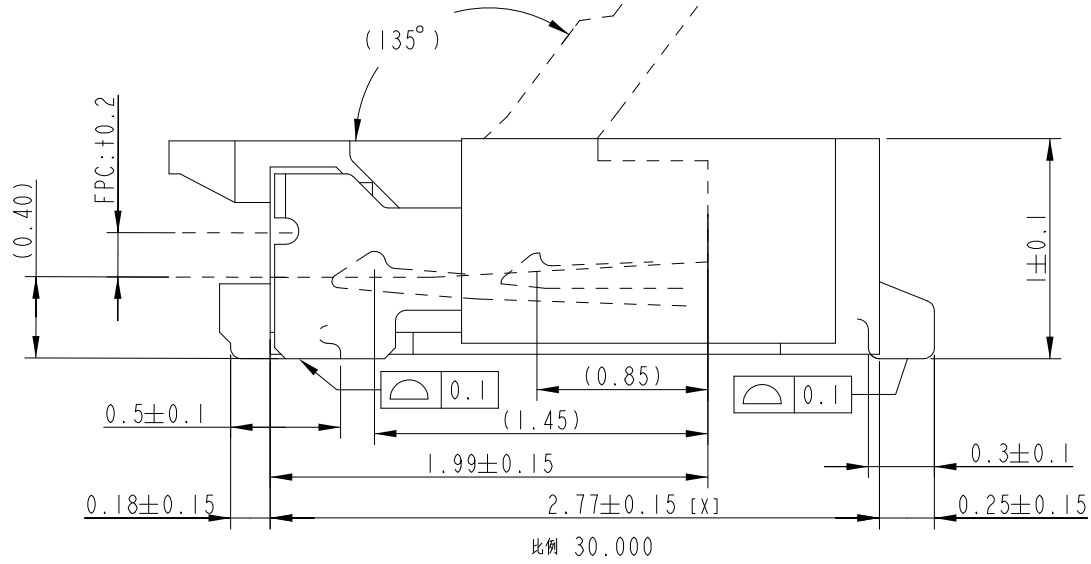


TABLE A 比例 8.000

PIN数	料号	A	B	C	D	E	F
13	818001568	5.4	3.0	3.6	4.25	4.9	4.2
15	818003443	6.0	3.6	4.2	4.85	5.5	4.8
21	818003444	7.8	5.4	6.0	6.65	7.3	6.6
25	818001569	9.0	6.6	7.2	7.85	8.5	7.8
31	818003213	10.8	8.4	9.0	9.65	10.3	9.6
33	818003734	11.4	9.0	9.6	10.25	10.9	10.2
39	818001570	13.2	10.8	11.4	12.05	12.7	12.0
45	818001784	15.0	12.6	13.2	13.85	14.5	13.8

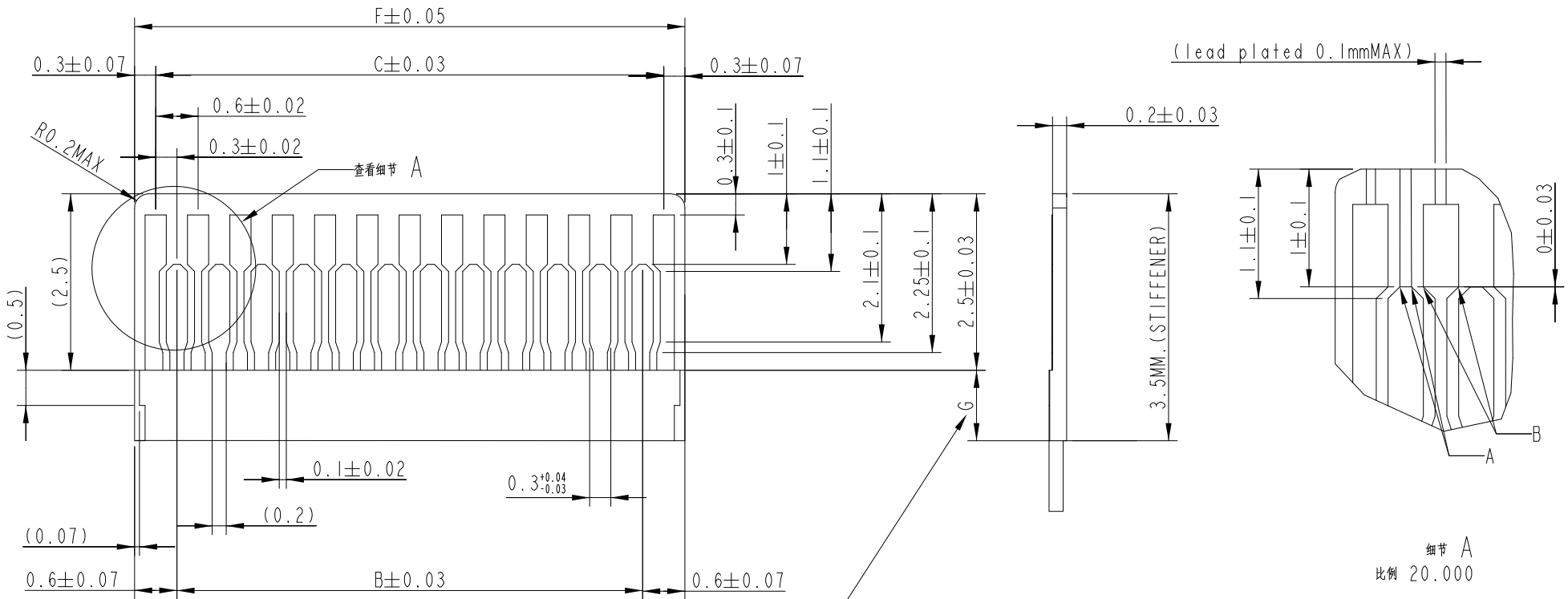


标号	半品名称	材质	表面处理	使用数量	备注
1	HOUSING	LCP(UL94-V0)	N/A	1	颜色 本色
2	RETAINER	PA(UL94-0)	N/A	1	颜色 黑色
3	CONTACT(F)	Phosphor Bronze	Au 2u"Min Ni 40u"Min	(PIN数+1)/2	
4	CONTACT(R)	Phosphor Bronze	Au 2u"Min Ni 40u"Min	(PIN数-1)/2	
5	PEG	Phosphor Bronze	Sn 80"Min Ni 50u"Min	2	

	GENERAL TOLERANCE		SCALE: 8.000	DRAWN ZC	DATE 10/20/16'	DWG. NO. 600-1568-01	TITLE CUSTOMER DRAWING FPC Connector Pitch=0.3mm H1.0mm (Front Flip)	REV. BI
	X. ± 0.40	X.° $\pm 3.0^\circ$	UNIT: mm	CHECK	DATE			PARTS NO. (INTENDED USE) SEE TABLE A
	.XX ± 0.15	.X° $\pm 2.0^\circ$	SIZE: A4	APPROVE	DATE			
	.XXX ± 0.10	.XX° $\pm 1.0^\circ$						

REV.	ECN NUMBER	DESCRIPTION	DATE	DRAWN	CHECKD	APPROVED
B1	ECN150330	图纸标注更新	10/20/16'	ZC		

RECOMMENDED FPC



DIMENSION M MUST BE 0.5mm MIN WHEN THE STIFFENER IS SHORTER THAN 3.5mm

比例 12.000

细节 A
比例 20.000



GENERAL TOLERANCE	
X. ±0.40	
.X ±0.25	X.° ±3.0°
.XX ±0.15	.X° ±2.0°
.XXX ±0.10	.XX° ±1.0°

SCALE:	8.000
UNIT:	mm
SIZE:	A4

DRAWN	ZC	DATE	10/20/16'
CHECK		DATE	
APPROVE		DATE	

DWG. NO.	600-1568-01
PARTS NO. (INTENDED USE)	SEE TABLE A

TITLE	CUSTOMER DRAWING
	FPC Connector Pitch=0.3mm H1.0mm (Front Flip)

REV.	B1
SHEET	2 / 2