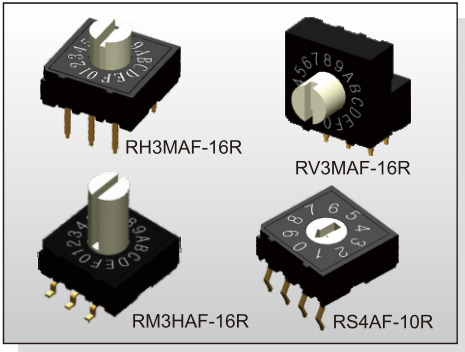


# ROTARY CODED SWITCH R(H)(V)(M)(S) SERIES

10x10mm  
Rotary Type



## FEATURES

- ※Vertical and right angel type
- ※Flush & raised actuator
- ※BCD; Hexadecimal

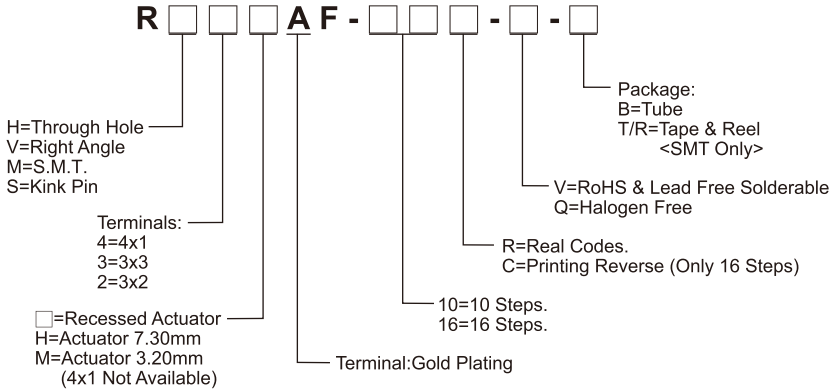
## APPLICATION

- ※Building & home automation
- ※White goods
- ※Electronic instrument

## SPECIFICATION

Contact Rating	25mA, 24V DC
Contact Resistance	100mΩ max.
Insulation Resistance	100MΩ min. 250V DC
Dielectric Strength	250V AC/1 minute
Operating Force	400gf·cm max.
Operating Life	20,000 Steps
Operating Temp.	-25°C ~ +80°C
Storage Temp.	-40°C ~ +85°C

## HOW TO ORDER

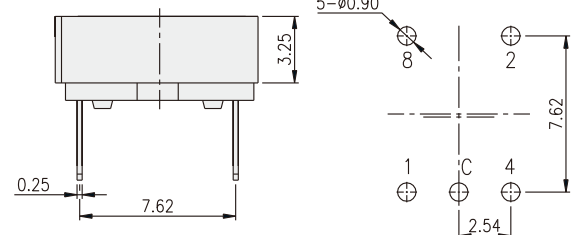
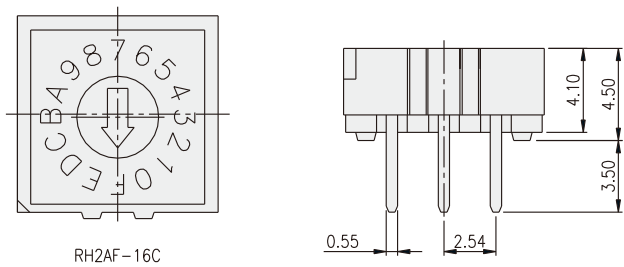
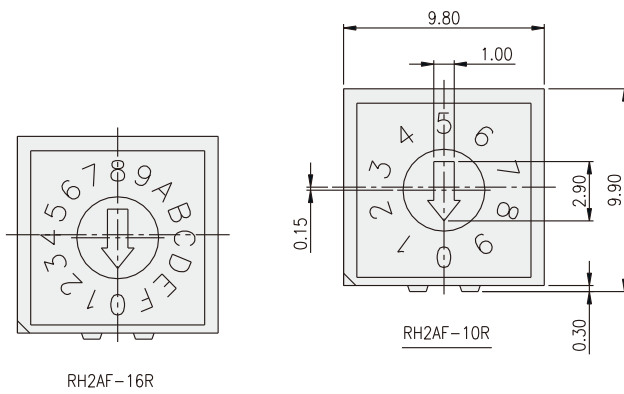


## PACKAGE

- <Tube>  
48 pcs
- <Tape & Reel>  
750 pcs (recessed actuator)  
500 pcs (3.2mm actuator)  
250 pcs (7.3mm actuator)

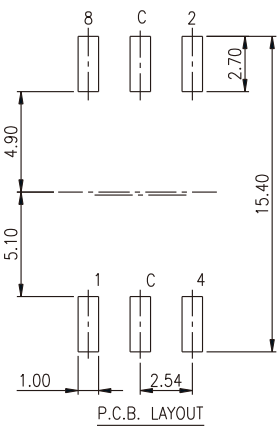
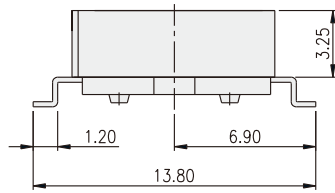
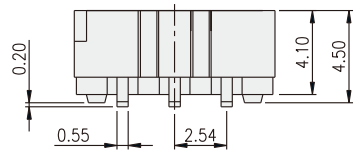
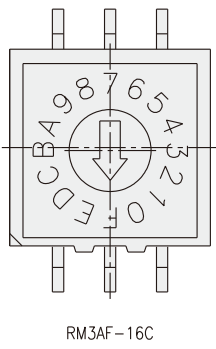
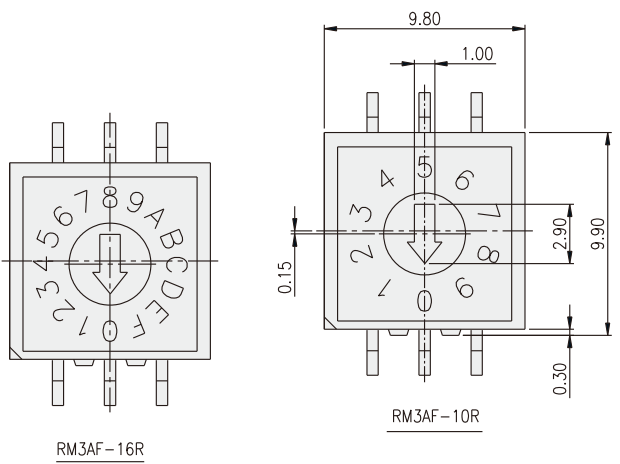
ROTARY CODED SWITCH

## RH2



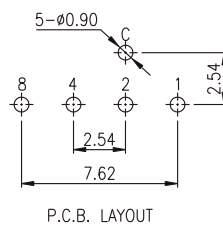
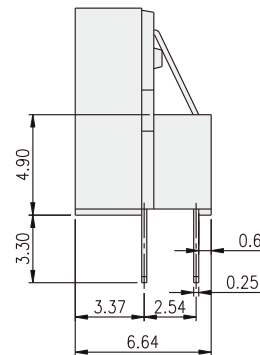
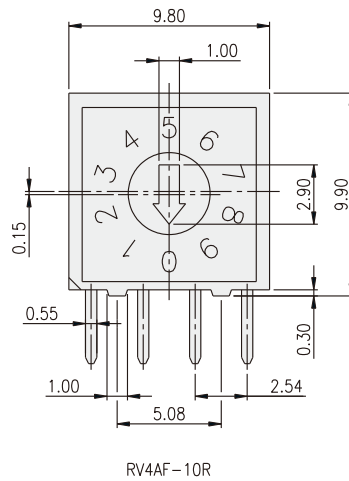
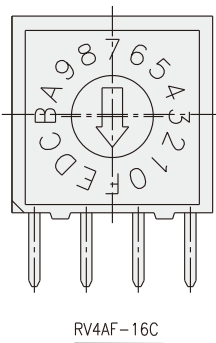
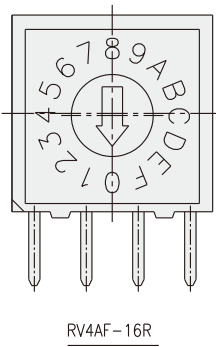
TYPE	POSITION	CODE				
		16C	1	2	4	8
10R	0	F	●	●	●	●
	1	E	○	●	●	●
	2	D	●	○	●	●
	3	C	○	○	●	●
	4	B	○	●	○	●
	5	A	○	●	○	●
	6	9	●	○	○	●
	7	8	○	○	○	●
	8	7	●	●	●	○
	9	6	○	●	●	○
16R,C	A	5	○	○	●	○
	B	4	○	○	○	○
	C	3	●	●	○	○
	D	2	○	●	○	○
	E	1	●	○	○	○
	F	0	○	○	○	○

RM3



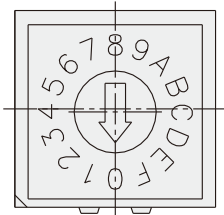
TYPE	POSITION		CODE				
	□	□R	16C	1	2	4	8
10R	0	F	●	●	●	●	●
	1	E	○	○	●	●	●
	2	D	●	○	○	●	●
	3	C	○	○	○	●	●
	4	B	●	●	○	○	●
	5	A	○	○	○	○	●
	6	9	●	○	○	○	●
	7	8	○	○	○	○	●
	8	7	●	●	●	○	○
	9	6	○	○	○	○	○
16R,C	A	5	●	○	○	○	○
	B	4	○	○	○	○	○
	C	3	●	●	○	○	○
	D	2	○	○	○	○	○
	E	1	●	○	○	○	○
	F	0	○	○	○	○	○

RV4

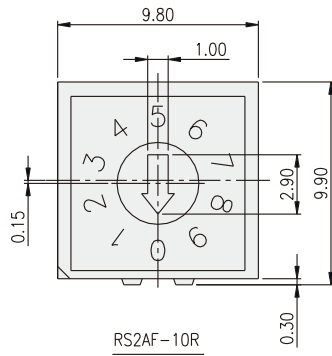


TYPE	POSITION		CODE				
	□	□R	16C	1	2	4	8
10R	0	F	●	●	●	●	●
	1	E	○	○	●	●	●
	2	D	●	○	○	●	●
	3	C	○	○	○	●	●
	4	B	●	●	○	○	●
	5	A	○	○	○	○	●
	6	9	●	○	○	○	●
	7	8	○	○	○	○	●
	8	7	●	●	●	○	○
	9	6	○	○	○	○	○
16R,C	A	5	●	○	○	○	○
	B	4	○	○	○	○	○
	C	3	●	●	○	○	○
	D	2	○	○	○	○	○
	E	1	●	○	○	○	○
	F	0	○	○	○	○	○

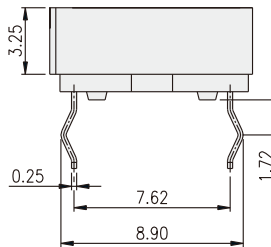
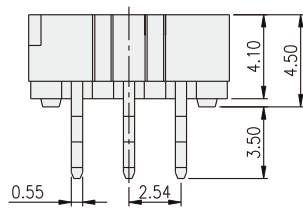
RS2



RS2AF-16R

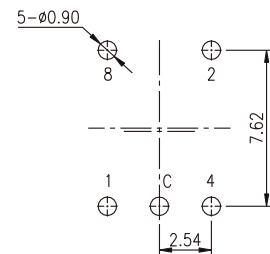


RS2AF-10R



○ ON  
 ● OFF

TYPE	POSITION	CODE			
		1	2	4	8
10R	0	●	●	●	●
	1	○	●	●	●
	2	●	○	●	●
	3	○	○	●	●
	4	●	●	○	●
	5	○	●	○	●
	6	●	○	○	●
	7	○	○	○	●
	8	●	●	●	○
	9	○	○	●	○
16R	A	○	○	●	○
	B	○	○	●	○
	C	●	●	○	○
	D	○	○	○	○
	E	●	○	○	○
	F	○	○	○	○



P.C.B. LAYOUT