
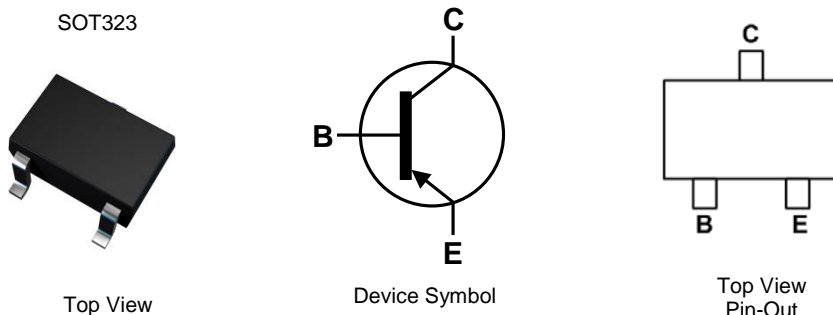


## Features

- Ideally Suited for Automatic Insertion
- Complementary NPN Types Available (BC846AW - BC848CW)
- For Switching and AF Amplifier Applications
- **Totally Lead-Free & Fully RoHS Compliant (Notes 1 & 2)**
- **Halogen and Antimony Free. "Green" Device (Note 3)**
- **Qualified to AEC-Q101 Standards for High Reliability**
- **PPAP Capable (Note 4)**

## Mechanical Data

- Case: SOT323
- Case Material: Molded Plastic, "Green" Molding Compound  
UL Flammability Classification Rating 94V-0
- Moisture Sensitivity: Level 1 per J-STD-020
- Terminals: Finish—Matte Tin Plated Leads, Solderable per  
MIL-STD-202, Method 208 
- Weight: 0.006 grams (Approximate)



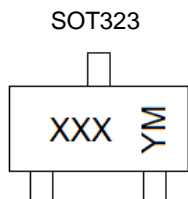
## Ordering Information (Notes 4 & 5)

Product	Compliance	Marking	Reel Size (inches)	Quantity per Reel
BC856AW-7-F	AEC-Q101	K3A	7	3000
BC856BW-7-F	AEC-Q101	K3B	7	3000
BC856BW-13-F	AEC-Q101	K3B	13	10,000
BC857AW-7-F	AEC-Q101	K3A	7	3000
BC857BW-7-F	AEC-Q101	K3B	7	3000

Product	Compliance	Marking	Reel Size (inches)	Quantity per Reel
BC857BWQ-13-F	Automotive	K3B	13	10,000
BC857CW-7-F	AEC-Q101	K3G	7	3000
BC858AW-7-F	AEC-Q101	K3A	7	3000
BC858BW-7-F	AEC-Q101	K3B	7	3000
BC858CW-7-F	AEC-Q101	K3G	7	3000

- Notes:
1. No purposely added lead. Fully EU Directive 2002/95/EC (RoHS), 2011/65/EU (RoHS 2) & 2015/863/EU (RoHS 3) compliant.
  2. See <https://www.diodes.com/quality/lead-free/> for more information about Diodes Incorporated's definitions of Halogen- and Antimony-free, "Green" and Lead-free.
  3. Halogen- and Antimony-free "Green" products are defined as those which contain <900ppm bromine, <900ppm chlorine (<1500ppm total Br + Cl) and <1000ppm antimony compounds.
  4. Automotive products are AEC-Q101 qualified and are PPAP capable. Automotive, AEC-Q10x and standard products are electrically and thermally the same, except where specified. For more information, please refer to <https://www.diodes.com/quality/>.
  5. Tape width is 8mm. For packaging details, go to our website at <https://www.diodes.com/design/support/packaging/diodes-packaging/>.

## Marking Information



XXX = Product Type Marking Code (See Ordering Information)  
 YM = Date Code Marking  
 Y or  $\bar{Y}$  = Year (ex: F = 2018)  
 M or  $\bar{M}$  = Month (ex: 9 = September)

### Date Code Key

Year	2018	2019	2020	2021	2022	2023	2024	2025	2026	2027	2028	2029
Code	F	G	H	I	J	K	L	M	N	O	P	Q

Month	Jan	Feb	Mar	Apr	May	Jun	Jul	Aug	Sep	Oct	Nov	Dec
Code	1	2	3	4	5	6	7	8	9	O	N	D

**Absolute Maximum Ratings** (@T<sub>A</sub> = +25°C, unless otherwise specified.)

Characteristic		Symbol	Value	Unit
Collector-Base Voltage	BC856	V <sub>CBO</sub>	-80	V
	BC857		-50	
	BC858		-30	
Collector-Emitter Voltage	BC856	V <sub>CEO</sub>	-65	V
	BC857		-45	
	BC858		-30	
Emitter-Base Voltage		V <sub>EBO</sub>	-5.0	V
Continuous Collector Current		I <sub>C</sub>	-100	mA
Peak Collector Current		I <sub>CM</sub>	-200	mA
Peak Emitter Current		I <sub>EM</sub>	-200	mA

**Thermal Characteristics** (@T<sub>A</sub> = +25°C, unless otherwise specified.)

Characteristic		Symbol	Value	Unit
Power Dissipation	(Note 6)	P <sub>D</sub>	200	mW
Thermal Resistance, Junction to Ambient	(Note 6)	R <sub>θJA</sub>	625	°C/W
Operating and Storage Temperature Range		T <sub>J</sub> , T <sub>STG</sub>	-65 to +150	°C

**Electrical Characteristics** (@T<sub>A</sub> = +25°C, unless otherwise specified.)

Characteristic		Symbol	Min	Typ	Max	Unit	Test Condition	
Collector-Base Breakdown Voltage	BC856	BV <sub>CBO</sub>	-80	—	—	V	I <sub>C</sub> = -100nA	
	BC857		-50					
	BC858		-30					
Collector-Emitter Breakdown Voltage (Note 7)	BC856	BV <sub>CEO</sub>	-65	—	—	V	I <sub>C</sub> = -10mA	
	BC857		-45					
	BC858		-30					
Emitter-Base Breakdown Voltage		BV <sub>EBO</sub>	-5	—	—	V	I <sub>E</sub> = -100nA	
DC Current Gain (Note 7)	Current Gain Group	h <sub>FE</sub>	A	125	180	250	—	V <sub>CE</sub> = -5.0V, I <sub>C</sub> = -2.0mA
			B	220	290	475		
			C	420	520	800		
Collector Cutoff Current		I <sub>CBO</sub>	—	—	-15	nA	V <sub>CB</sub> = -30V	
					-4	μA	V <sub>CB</sub> = -30V, T <sub>A</sub> = +150°C	
Collector-Emitter Saturation Voltage (Note 7)		V <sub>CE(sat)</sub>	—	-75	-300	mV	I <sub>C</sub> = -10mA, I <sub>B</sub> = -0.5mA	
				-250	-650		I <sub>C</sub> = -100mA, I <sub>B</sub> = -5.0mA	
Base-Emitter Turn-On Voltage (Note 7)		V <sub>BE(on)</sub>	-600	-650	-750	mV	I <sub>C</sub> = -2mA, V <sub>CE</sub> = -5V	
			—	—	-820		I <sub>C</sub> = -10mA, V <sub>CE</sub> = -5V	
Base-Emitter Saturation Voltage (Note 7)		V <sub>BE(sat)</sub>	—	-700	—	mV	I <sub>C</sub> = -10mA, I <sub>B</sub> = -0.5mA	
				-850	-950		I <sub>C</sub> = -100mA, I <sub>B</sub> = -5mA	
Output Capacitance		C <sub>obo</sub>	—	3	4.5	pF	V <sub>CB</sub> = -10V, f = 1.0MHz	
Transition Frequency		f <sub>T</sub>	100	200	—	MHz	V <sub>CE</sub> = -5V, I <sub>C</sub> = -10mA, f = 100MHz	
Noise Figure		NF	—	—	10	dB	V <sub>CE</sub> = -5V, I <sub>C</sub> = -200μA R <sub>S</sub> = 2kΩ, f = 1kHz Δf = 200Hz	

- Notes:
6. For a device mounted on minimum recommended pad layout 1oz copper that is on a single-sided FR4 PCB; device is measured under still air conditions whilst operating in a steady-state.
  7. Measured under pulsed conditions. Pulse width ≤ 300μs. Duty cycle ≤ 2%

**Typical Electrical Characteristics** (@ $T_A = +25^\circ\text{C}$ , unless otherwise specified.)

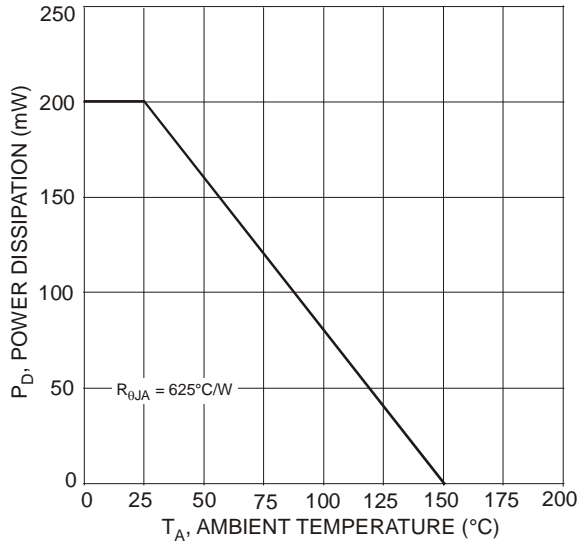


Fig. 1 Power Dissipation vs. Ambient Temperature (Note 5)

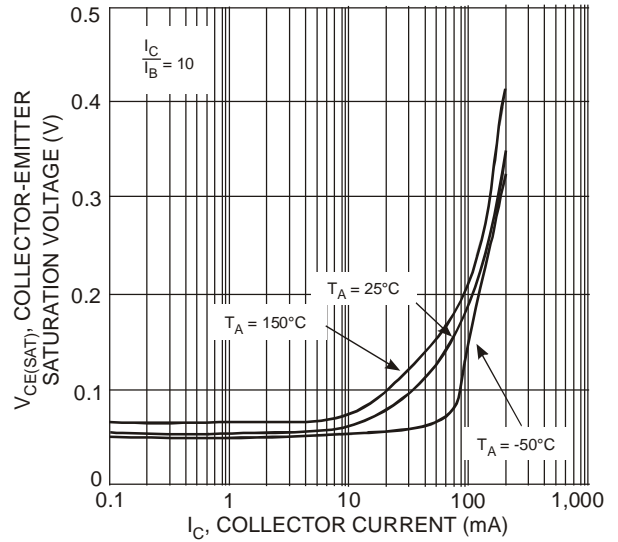


Fig. 2 Typical Collector-Emitter Saturation Voltage vs. Collector Current

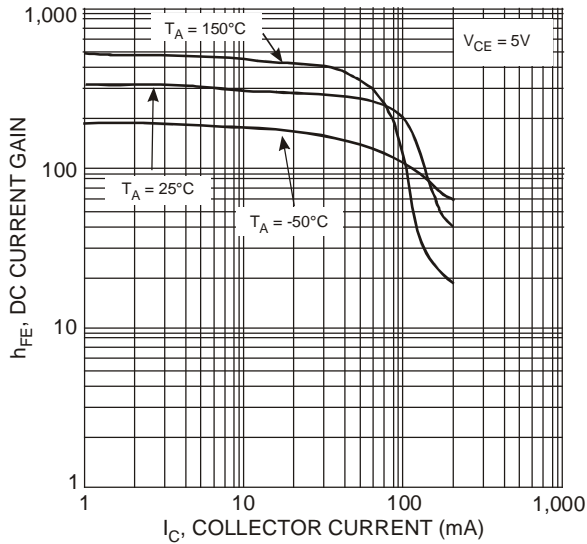


Fig. 3 Typical DC Current Gain (Group B) vs. Collector Current

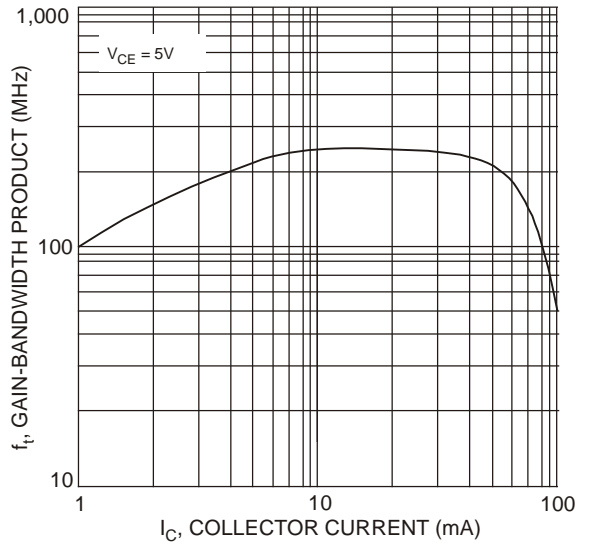
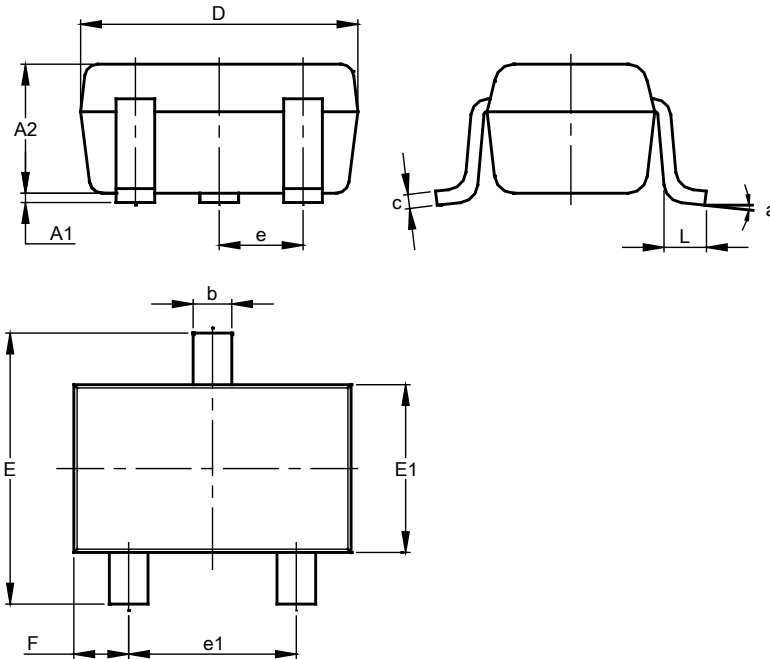


Fig. 4 Typical Gain-Bandwidth Product vs. Collector Current

## Package Outline Dimensions

Please see <http://www.diodes.com/package-outlines.html> for the latest version.

SOT323

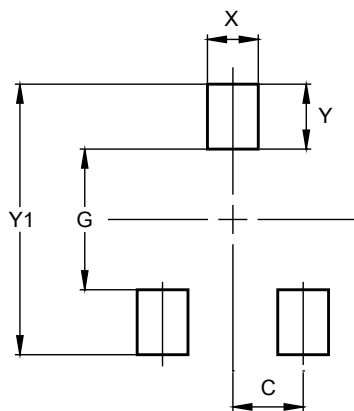


SOT323			
Dim	Min	Max	Typ
A1	0.00	0.10	0.05
A2	0.90	1.00	0.95
b	0.25	0.40	0.30
c	0.10	0.18	0.11
D	1.80	2.20	2.15
E	2.00	2.20	2.10
E1	1.15	1.35	1.30
e	0.650 BSC		
e1	1.20	1.40	1.30
F	0.375	0.475	0.425
L	0.25	0.40	0.30
a	0°	8°	--
All Dimensions in mm			

## Suggested Pad Layout

Please see <http://www.diodes.com/package-outlines.html> for the latest version.

SOT323



Dimensions	Value (in mm)
C	0.650
G	1.300
X	0.470
Y	0.600
Y1	2.500

#### IMPORTANT NOTICE

DIODES INCORPORATED MAKES NO WARRANTY OF ANY KIND, EXPRESS OR IMPLIED, WITH REGARDS TO THIS DOCUMENT, INCLUDING, BUT NOT LIMITED TO, THE IMPLIED WARRANTIES OF MERCHANTABILITY AND FITNESS FOR A PARTICULAR PURPOSE (AND THEIR EQUIVALENTS UNDER THE LAWS OF ANY JURISDICTION).

Diodes Incorporated and its subsidiaries reserve the right to make modifications, enhancements, improvements, corrections or other changes without further notice to this document and any product described herein. Diodes Incorporated does not assume any liability arising out of the application or use of this document or any product described herein; neither does Diodes Incorporated convey any license under its patent or trademark rights, nor the rights of others. Any Customer or user of this document or products described herein in such applications shall assume all risks of such use and will agree to hold Diodes Incorporated and all the companies whose products are represented on Diodes Incorporated website, harmless against all damages.

Diodes Incorporated does not warrant or accept any liability whatsoever in respect of any products purchased through unauthorized sales channel. Should Customers purchase or use Diodes Incorporated products for any unintended or unauthorized application, Customers shall indemnify and hold Diodes Incorporated and its representatives harmless against all claims, damages, expenses, and attorney fees arising out of, directly or indirectly, any claim of personal injury or death associated with such unintended or unauthorized application.

Products described herein may be covered by one or more United States, international or foreign patents pending. Product names and markings noted herein may also be covered by one or more United States, international or foreign trademarks.

This document is written in English but may be translated into multiple languages for reference. Only the English version of this document is the final and determinative format released by Diodes Incorporated.

#### LIFE SUPPORT

Diodes Incorporated products are specifically not authorized for use as critical components in life support devices or systems without the express written approval of the Chief Executive Officer of Diodes Incorporated. As used herein:

A. Life support devices or systems are devices or systems which:

1. are intended to implant into the body, or
2. support or sustain life and whose failure to perform when properly used in accordance with instructions for use provided in the labeling can be reasonably expected to result in significant injury to the user.

B. A critical component is any component in a life support device or system whose failure to perform can be reasonably expected to cause the failure of the life support device or to affect its safety or effectiveness.

Customers represent that they have all necessary expertise in the safety and regulatory ramifications of their life support devices or systems, and acknowledge and agree that they are solely responsible for all legal, regulatory and safety-related requirements concerning their products and any use of Diodes Incorporated products in such safety-critical, life support devices or systems, notwithstanding any devices- or systems-related information or support that may be provided by Diodes Incorporated. Further, Customers must fully indemnify Diodes Incorporated and its representatives against any damages arising out of the use of Diodes Incorporated products in such safety-critical, life support devices or systems.

Copyright © 2018, Diodes Incorporated

[www.diodes.com](http://www.diodes.com)