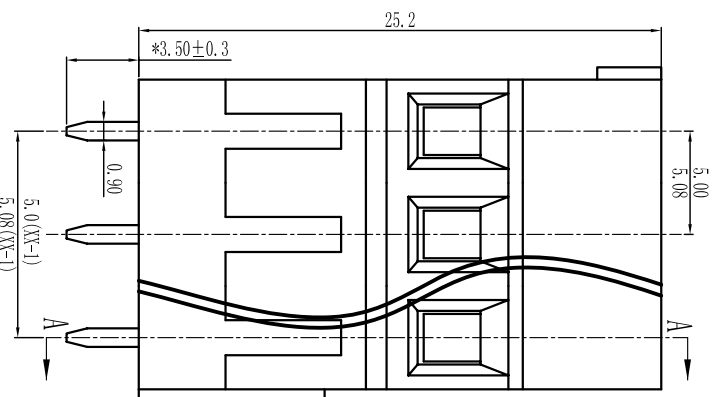
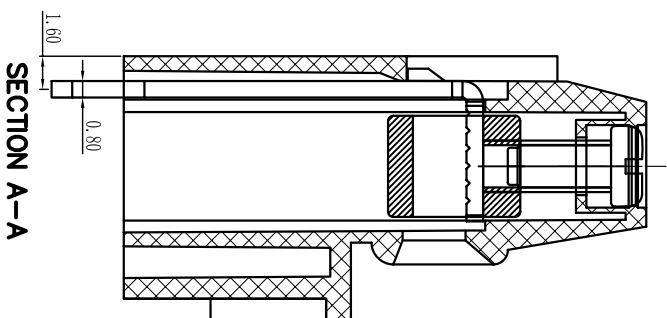
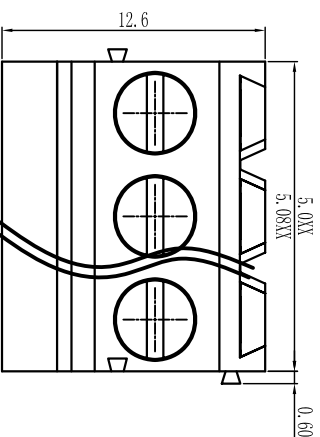
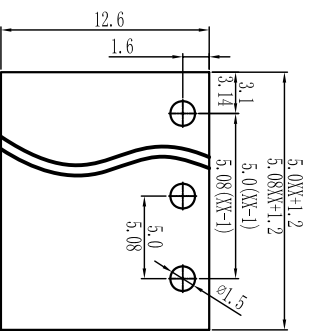




Cixi Dibo Electronics Co., LTD

产品规格书
product specification



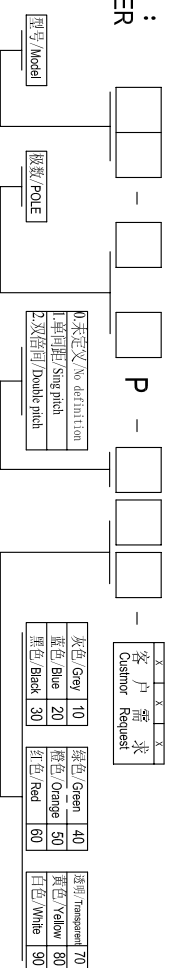
电气性能/Electrical
 参考标准/Standard: UL IEC
 额定电压/Rated voltage: 300V 250V
 额定电流/Rated current: 15A 18A
 接触电阻/Contact resistance: 20_{mΩ}
 使用线径/Wire range: 30-12AWG 2.5mm²
 耐电压/Withstanding voltage: AC2000V/1Min
 绝缘电阻/Insulation resistance: 500MΩ/DC500V

机械性能/Mechanical
 温度范围/Temp. Range: -40°C+105°C
 扭矩/Torque: 0.4Nm(3.54lb`in)
 剥线长度/Strip length: 6-7mm

尺寸/Dimensions
 间距/Pitch: 5.0mm, 5.08mm
 极数/Poles: 2P-24P

材质及电镀/Material
 塑件/Housing: P166, UL94V-0
 螺丝/Screws: M2.5, steel Zinc plated
 方块/Cage: Brass, Ni plated
 焊脚/Pin header: Brass, Snle plated

订购方式: HOW TO ORDER



| | | | | | | | | | | | | | | | | | |
|----------------|---|--------------|---------------|---------------|---------------|---------------|----------------|-----------------|-----------------|-----------------|-----------------|----------|--------------|----------------|-----------------|-----|---|
| | linear dimension(Tolerances Standard GB/T 14486-2008) | | | | | | | | | | | | ≡ | — | □ | ∥ | ⊥ |
| variable range | 6 to 6 | over 6 to 10 | over 10 to 18 | over 18 to 30 | over 30 to 50 | over 50 to 80 | over 80 to 120 | over 120 to 160 | over 160 to 200 | over 200 to 250 | over 250 to 250 | all to 5 | over 5 to 30 | over 30 to 120 | over 120 to 120 | | |
| tolerance | ±0.1 | ±0.14 | ±0.19 | ±0.25 | ±0.32 | ±0.43 | ±0.57 | ±0.72 | ±0.88 | ±1.05 | ±1.25 | 0.5 | 0.025 | 0.06 | 0.12 | 0.4 | |

单位/UNITS mm 尺寸/SIZE A4 比例/SCALE 比例

Cixi Dibo Electronics Co., LTD

第一视角/THIRD ANGLE PROJECTION

名称/NAME DB128H-5.0/5.08