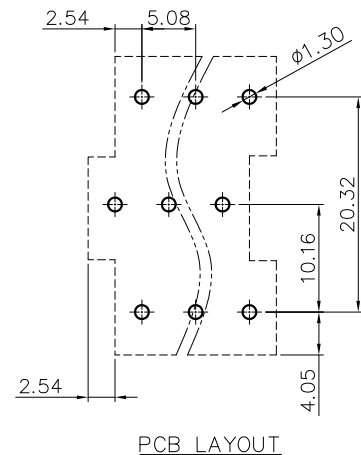
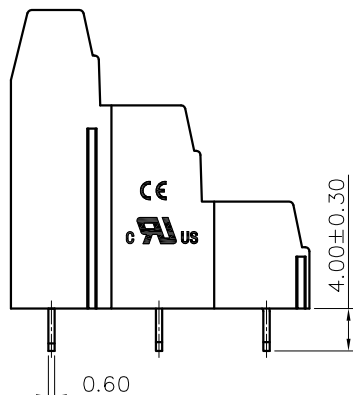
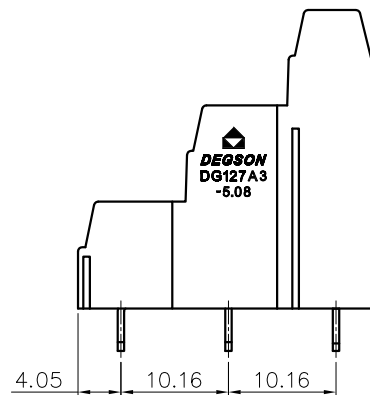
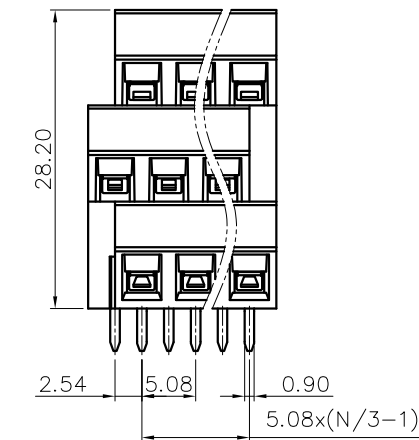
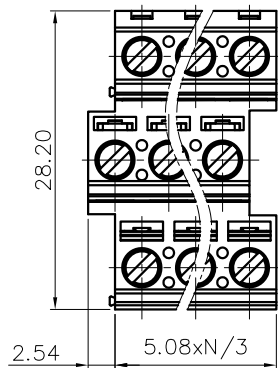


REVISION RECORD				
REV	ECN	DESCRIPTION	DRFT	DATE



NOTES1:

UL Standard

1. Rated voltage/current : 300V / 12A
2. Withstanding voltage : AC1600V/1Min.
3. Torque value : M3 , 4.43Lb.in
4. Wire range : 30~14AWG

IEC Standard

1. Pollution degree	2	2	3
Overvoltage category	II	III	III
Rate impulse voltage(KV)	4.0KV	4.0KV	4.0KV
Rate voltage(V)	630V	400V	250V
Rate current(A)	10A		

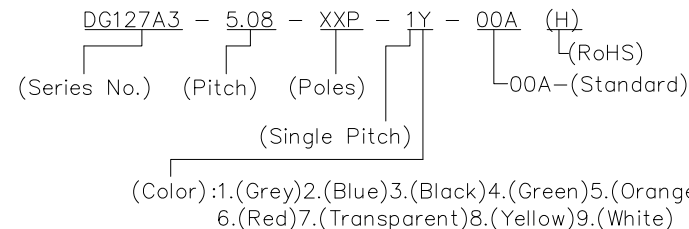
2. Torque value : M3 , 0.5N·m
3. Wire range : 0.2~1.5mm²

NOTES2:

1. Dimension shall be interpreted per ASME Y14.5-2009
2. Pitch : 5.08mm, Poles : N=06~72P
3. Stripping length : 6~7mm
4. Operating temperature : -40°C~+105°C
5. Undimensioned tolerances:

Pitch range in mm		Nominal dimension range in mm					—	∩	□
TO	Over TO	TO	Over TO	TO	Over TO	TO	Over TO	TO	
6	10	30	60	100	150	0.1	0.10	<	
±0.15	±0.20	±0.30	±0.30	±0.50	±0.70	±1.00	±1.30	±2*	

6. RoHS Compliance



DETACHED LISTS	PART NO.:	/			
	APPD:	/			
	CHKD:	/			
	DRFT:	/			
NAME:		NINGBO DEGSON ELECTRICAL CO., LTD			
NAME:		DG127A3-5.08-XXP-1Y-00A(H)			
TITLE:		CUSTOMER DRAWING	REV	DO	
DRAWING NO.:		/	SHEET	1/1	
THIRD ANGLE PROJECTION		MM (INCH)	DO NOT SCALE DRAWING	SCALE 1:1	