

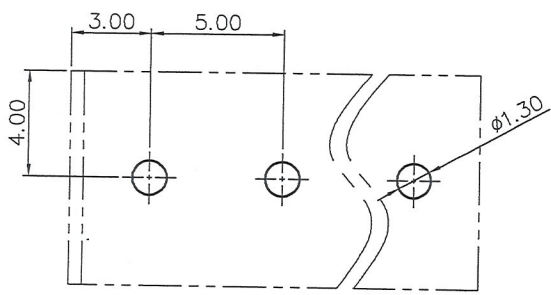
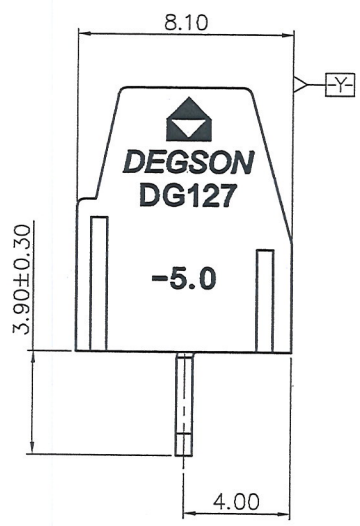
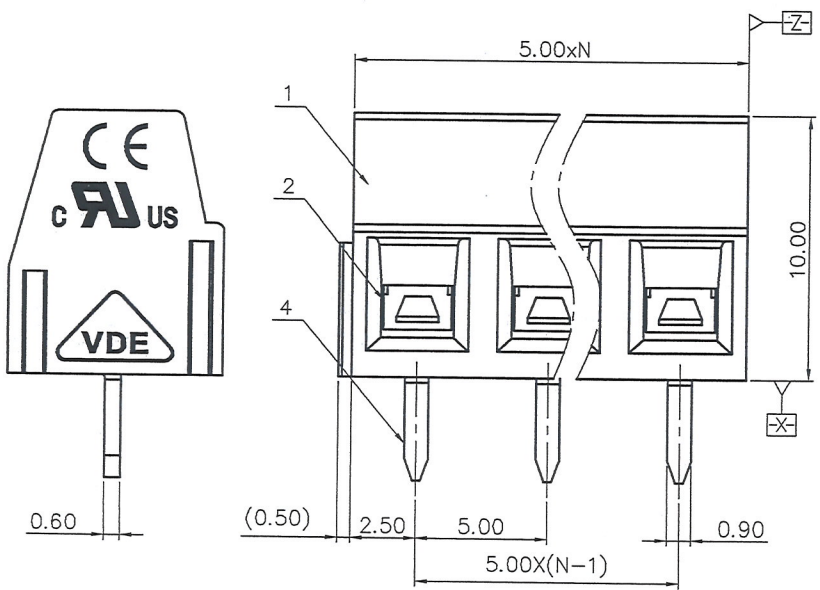
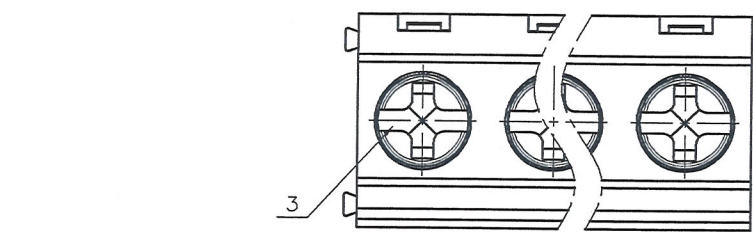
REVISION RECORD				
REV	ECN	DESCRIPTION	DRFT	DATE

- NOTES1:
- UL Standard
- Rated voltage/current : 300V / 12A
  - Torque value : M3 , 2P 3.04Lb.in  
≥3P 4.43Lb.in
  - Wire range : 26~14AWG
- IEC Standard
- Rated voltage/current : 250V / 15A
  - Torque value : M3 , 2P 0.34N·m  
≥3P 0.5N·m
  - Wire range : 0.75~1.5mm<sup>2</sup>

- NOTES2:
- Dimension shall be interpreted per ASME Y14.5-2009
  - Pitch : 5.00mm, Poles : N=02~24P
  - Stripping length : 6~7mm
  - Withstanding voltage : AC2000V/1Min
  - Operating temperature : -40°C~+105°C
  - Undimensioned tolerances:

Pitch Range In mm		Nominal Dimension Range In mm						∓	∠
TO	Over	TO	Over	TO	Over	TO	Over	0.1/10	
6	10	10	30	30	60	60	100		
±0.15	±0.20	±0.30	±0.30	±0.50	±0.70	±1.00	±1.30	±2°	

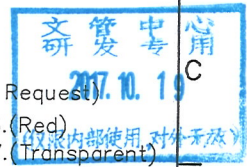
7.RoHS Compliance



DG127 - 5.0 - XXP - 1Y - 1002A (H)

(Series No.) (Pitch) (Poles) (Single Pitch) (Color): 1.(Grey) 6.(Red)  
2.(Blue) 7.(Transparent)  
3.(Black) 8.(Yellow)  
4.(Green) 9.(White)  
5.(Orange)

(RoHS)  
1002A-(Customer Request)



ITEM	NAME OF PART	MATERIAL	NOTES
4	Pin header	Copper alloy	Sn Plated
3	Screw	Steel	M3/Zn Plated
2	Cage	Copper alloy	M3/Ni Plated
1	Housing	PA66	UL94V-0

PART NO.: 1		宁波高松电子有限公司 NINGBO DEGSON ELECTRICAL CO., LTD	
APPD: Frank 2017.09.09	NAME: DG127-5.0-XXP-1Y-1002A(H)	TITLE: CUSTOMER DRAWING	
CHKD: Jay.z 2017/9/8	DRFT: Jay.z 2017/07/22	REV: 1/1	TO: 1/1
THIRD ANGLE PROJECTION		DRAWING NO.: DG127-5.0-C35	SHEET: 1/1
MM (INCH)		DO NOT SCALE DRAWING	SCALE: 1:1