



## SQH3010S SERIES ~ Low Profile SMD Power Inductors

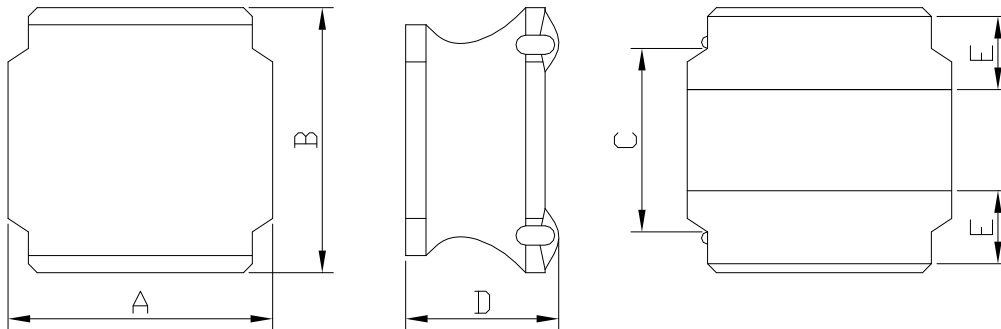


### PART NUMBERING SYSTEM

<b>SQH</b>	<b>3010S</b>	—	<b>6R8M</b>	—	<b>LF</b>
TYPE	DIMENSIONS		INDUCTANCE		LEAD FREE

### SHAPES AND DIMENSIONS

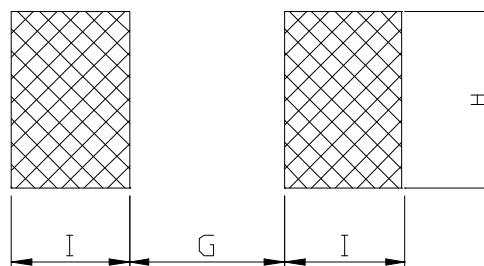
UNIT : mm



**A=3.1 Max. B=3.1 Max. C=1.9±0.2 D=1.0 Max. E=0.9±0.2**

### RECOMMENDED PATTERNS

UNIT : mm



**G= 1.40 H= 2.70 I = 0.80**

### FEATURES

- \* Low profile and small inductors ( 3.1mm Max. square and 1.0mm Max. height )
- \* Magnetically shielded construction and high current
- \* Ideal for DC-DC converter choke coil for portable equipments ( DVDs , DSC , Cellular , PDAs )
- \* RoHS compliant option with lead free



## SQH3010S SERIES ~ Low Profile SMD Power Inductors



### SPECIFICATION TABLE

PART NUMBER	INDUCTANCE ( $\mu$ H)	DCR ( $\Omega$ ) (Max.)	Isat (mA) (Max.)	Irms (mA) (Max.)	TEST FREQ. ( f )
SQH3010S-1R0N-LF	1.0 $\pm$ 30%	0.085	1300	1400	100KHz
SQH3010S-1R5N-LF	1.5 $\pm$ 30%	0.104	1200	1300	100KHz
SQH3010S-2R2M-LF	2.2 $\pm$ 20%	0.124	1100	1100	100KHz
SQH3010S-3R3M-LF	3.3 $\pm$ 20%	0.182	870	940	100KHz
SQH3010S-4R7M-LF	4.7 $\pm$ 20%	0.247	750	780	100KHz
SQH3010S-6R8M-LF	6.8 $\pm$ 20%	0.390	610	630	100KHz
SQH3010S-100M-LF	10 $\pm$ 20%	0.585	500	510	100KHz
SQH3010S-150M-LF	15 $\pm$ 20%	0.962	400	400	100KHz
SQH3010S-220M-LF	22 $\pm$ 20%	1.339	350	350	100KHz
SQH3010S-330M-LF	33 $\pm$ 20%	2.015	260	275	100KHz
SQH3010S-470M-LF	47 $\pm$ 20%	2.665	220	235	100KHz

- Isat : DC current at which the inductance drops 30%(typ) from its value without current.
- Irms : The temperature rise current value is the DC current value having temperature increase up 40°C temperature rise from 25°C ambient.
- Operating temperature range -40°C to +105°C , Electrical specifications at 25°C .