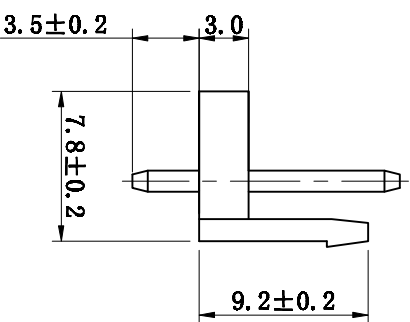
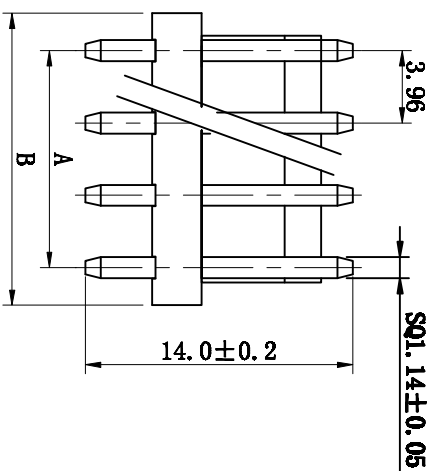


SPECIFICATION

Current rating: 5A AC/DC
 Voltage rating: 250V AC/DC
 Contact resistance: 20m Ω max.
 Withstand voltage: 1500V AC/min.
 Insulation resistance: 1000M Ω/min.
 Temperature range: -25℃~+85℃

Material:

Part No:2~12
 Post:Brass.Tin/plated
 Base:Nylon66 UL94V-2



Poles	Part NO.	Dimension (mm)	
		A	B
2	3962S-2P	3.96	7.92
3	3962S-3P	7.92	11.88
4	3962S-4P	11.88	15.84
5	3962S-5P	15.84	19.80
6	3962S-6P	19.80	23.76
7	3962S-7P	23.76	27.72
8	3962S-8P	27.72	31.68
9	3962S-9P	31.68	35.64
10	3962S-10P	35.64	39.60
11	3962S-11P	39.60	43.56
12	3962S-12P	43.56	47.52

TOLERANCE TABLE

.0	±0.30
.00	±0.20
.000	±0.05

APPROVED:

DATE:

CHECKED:

DATE:

DRAWN:

DATE:

LYP

2008-04-07

TITLE:

3962S-XP

深圳市灿科盟实业有限公司
 CHANKEMENG INDUSTRY CO., LTD

CLIENT P/N /

UNIT mm SCALE Free

FILE NO. Chantw-3962-0013 REV. A K100