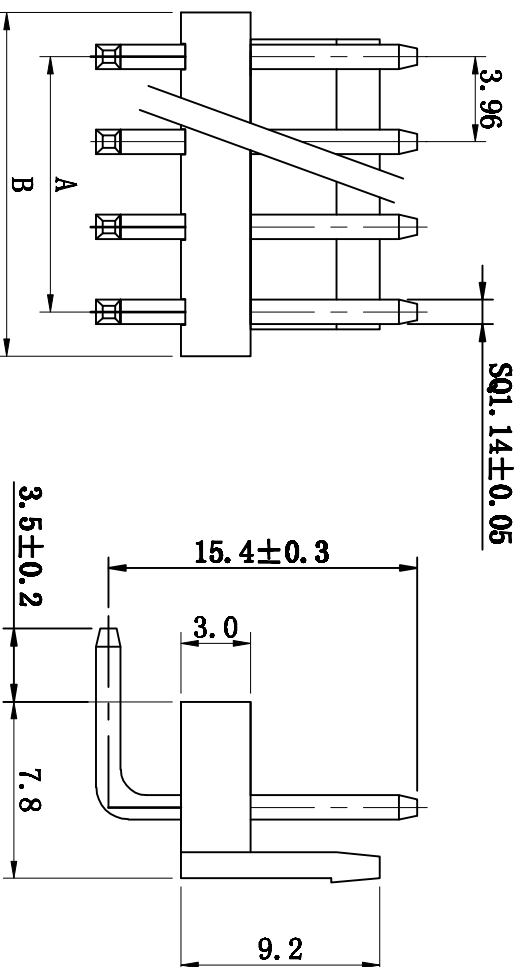


SPECIFICATION

Current rating: 7A AC/DC
 Voltage rating: 250V AC/DC
 Contact resistance: 20m Ω max.
 Withstand voltage: 1500V AC/min.
 Insulation resistance: 1000M Ω/min.
 Temperature range: -25℃~+85℃

Material:

Part No:2~12
 Post:Brass, Tin/plated
 Base:PA66 94V-2



Poles	Part NO.	Dimension (mm)	
		A	B
2	3962R-2P	3.96	7.92
3	3962R-3P	7.92	11.88
4	3962R-4P	11.88	15.84
5	3962R-5P	15.84	19.80
6	3962R-6P	19.80	23.76
7	3962R-7P	23.76	27.72
8	3962R-8P	27.72	31.68
9	3962R-9P	31.68	35.64
10	3962R-10P	35.64	39.60
11	3962R-11P	39.60	43.56
12	3962R-12P	43.56	47.52

TOLERANCE TABLE

.0	±0.20
.00	±0.10
.000	±0.05

APPROVED:	DATE:	TITLE: 3962R-XP			
CHECKED:	DATE:	CLIENT P/N /			
DRAWN:	DATE:	UNIT	SCALE	Free	REV. A
LYP	2008-07-07	mm	Chartw-3962-0017		KL00

深圳市灿科盟实业有限公司
 CHANKEMENG INDUSTRY CO., LTD