



SPD Series Specifications

德欣集团 深圳市德欣电器有限公司 SPD全系列规格书

产品名称: 热保护压敏电阻

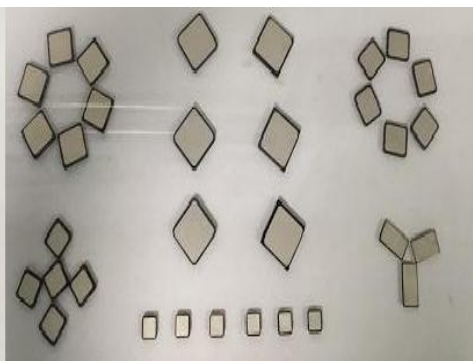
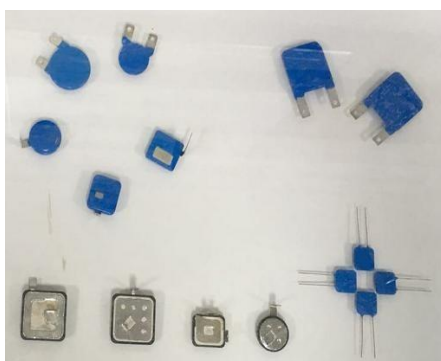
型号规格: COV25D-COV60D (201K~162K)

日期: 2019年6月30日

本集团公司旗下总生产面积 60000 平方米以上, 主营产品压敏芯片及压敏电阻器, 电压范围从 15V--1800V, 产品直径从3mm--80mm均能全系列生产, 年产能压敏芯片12亿只以上, 压敏电阻器成品8亿只以上, 综合年产能20亿只以上, 为国内压敏芯片, 压敏电阻器产能最大生产商之一, 其中 (15V-82V) 低压压敏芯片, 产能, 产量, 市场占有率位居世界第一。本公司旗下所生产的全系列产品均有完善的认证体系: 具备CQC, UL, CSA, VDE, SGS等多国认证, 产品畅销多个国家, 全员推行并遵守ISO9001质量管理体系, ISO14001环境管理体系, OHSAS18001职业健康安全管理体系, 拥有国家发明专利6项, 实用新型专利7项, 为高新技术企业。

THE PRODUCTION PROCESS

生产流程



华北生产基地: 山东省德州市平原县经济开发区德欣电器高新科技产业园

华南生产基地: 惠州市惠阳区秋长将军路合美兴工业园

西南生产基地: 四川省南充市阆中市七里汉王祠路小微企业孵化园 3号

联系人: 林茂发

移动电话: 13622335669

固定电话: 0755-82525987

官方网站: <http://www.dexindq.com>



SPD Series Specifications

工厂外景图：影背墙



工厂外景图：办公大楼



工厂外景图：一号车间





SPD Series Specifications

工厂外景图：二号车间



工厂外景图：三号车间



工厂外景图：四号车间





SPD Series Specifications

工厂外景图：员工餐厅楼



工厂外景图：员工宿舍楼



工厂外景图：工厂侧视全景





SPD Series Specifications

工厂外景图：办公大楼接待室



工厂外景图：办公大楼会议室



工厂外景图：职工/贵宾餐厅



工厂车间场景图：造粒车间





SPD Series Specifications

工厂车间场景图：压片车间



工厂车间图：排胶烧结车间



工厂车间图：箱式排胶车间



工厂车间图：排片生产车间



工厂车间图：涂银还原车间



工厂车间图：铜浆生产线





SPD Series Specifications

工厂车间图：芯片分选车间



工厂车间图：三合一生产车间



工厂车间图：环氧封装站



工厂车间图：成品打印测试



工厂车间图：外观全检



工厂车间图：编带产品生产线





SPD Series Specifications

工厂车间图：SPD、TMOV回焊炉站



工厂车间图：SPD、TMOV生产车间



工厂车间图：部分TMOV、TMOV成品



品质部：检测中心



品质部：大型模拟雷电试验平台





SPD Series Specifications

品质部：体系及认证



研发部：部分知识产权展示



行政部：合作单位及荣誉





SPD Series Specifications

SPD Series Specifications SPD 系列规格说明

Explanation of Part Numbers 型号说明:

| | | | | | | | | | |
|---|----------------------------|---|--|---|--|--|---|---|--|
| COV— | | | D | | | | K | C | L |
| Common Code 产品类别代码 | Chip Diameter 芯片直径 | | Chip Shape 芯片形状 | Varistor Voltage 压敏电阻动作电压 | | | Tolerance 误差 | Enclosure 包封材质 | Tab Style 引出端形状 |
| DE xin COV Metal Oxide Varistor Surg e Absorber 德欣COV金属 氧化物压敏电 阻器 | 25 32 34 53 60 | Φ 25mm Φ 32mm S34mm Φ 53mm Φ 60mm | D-Disc 圆形 B-Block 塑胶方 S-Square 方形 | 例如Examples: <div style="display: flex; justify-content: space-around; align-items: center;"> <div style="border: 1px solid black; padding: 2px;">4</div> <div style="border: 1px solid black; padding: 2px;">7</div> <div style="border: 1px solid black; padding: 2px;">0</div> </div> $47 \times 10^0 = 47 \text{ V}$ <div style="display: flex; justify-content: space-around; align-items: center;"> <div style="border: 1px solid black; padding: 2px;">4</div> <div style="border: 1px solid black; padding: 2px;">7</div> <div style="border: 1px solid black; padding: 2px;">1</div> </div> $47 \times 10^1 = 470 \text{ V}$ <div style="display: flex; justify-content: space-around; align-items: center;"> <div style="border: 1px solid black; padding: 2px;">1</div> <div style="border: 1px solid black; padding: 2px;">1</div> <div style="border: 1px solid black; padding: 2px;">2</div> </div> $11 \times 10^2 = 1100 \text{ V}$ | | | K ±10% L ±15% M ±20% Or Customer Special Requirement ent | C:Epoxy环氧树脂 E:Plastic...Case 注塑外壳 | P Planet 平板型 L L Shape L型 C Radial 圆型 |

Specifications 规格说明:

- Varistor Voltage Range
压敏电阻动作电压范围 200V~1600V (dc)
- Peak Current For 8/20us Current Wave
在8/20us电流波形最大通流量 20KA~70KA
- Energy Range For 10/1000us Current Wave
在10/1000us电流波形的能量范围 250J~2500J
- Storage Temperature Range
储存温度范围 -40°C~85°C
- Operation Ambient Temperature Range
作业环境温度范围 储存温度范围 -40°C~85°C
- Typical Response Time
反应时间 <25ns
- Insulation Resistance
绝缘电阻 $\geq 1000\text{M}\Omega$

Applications 应用领导域:

- Protection Of Communication Against Lightning 通信电源防雷保护
- Industrial Power Distributors 工业配电柜
- Railway Highway and Air-signal 铁路、公路、航空信号系统
- Building Power Distributors Input Against Lightning 大楼供电电源入端防雷



SPD Series Specifications

•25D Specification

Put "J" In Free Code Stands For High Surge Series

| COV Part Number | | Maxlimum Allowable Voltage 最大允许电压 | | Varistor Voltage 压敏电阻器 动作电压 V _{1.0mA} (V) | Clamping Voltage (Max.) 抑制电压@(8/20) us Vc IP | | Maxlimum Peak Current 最大电流耐量(8/20)us | | Maxlimum Energy 最大吸收能(10/1000)us | | Rated Power 消耗功率 (W) | Typical Capacitance (Reference) 参考电容值 @1KHz (pF) |
|--------------------|-----------|--------------------------------------|------|---|--|------------|---|-----------------------|-------------------------------------|-------|----------------------------|--|
| | | AC.rms | DC | | Standard | High Surge | Standard | High Surge | | | | |
| Standard | HighSurge | (V) | | (V) | | | | | (A) | (A) | | (J) |
| 25D180K | J | 11 | 14 | 18(14.4-21.6) | 36 | 30 | 3000 / 1500×2 | 4500 / 3000×2 | 13.0 | 20.0 | 0.25 | 45000 |
| 25D220K | J | 14 | 18 | 22(18.7-26) | 43 | | | | 16.0 | 25.0 | | 29000 |
| 25D270K | J | 17 | 22 | 27(23-31.1) | 53 | | | | 19.0 | 30.0 | | 26500 |
| 25D330K | J | 20 | 26 | 33(29.5-36.5) | 65 | | | | 24.0 | 35.0 | | 18000 |
| 25D390K | J | 25 | 31 | 39(35-43) | 77 | | | | 28.0 | 40.0 | | 13500 |
| 25D470K | J | 30 | 38 | 47(42-52) | 93 | | | | 34.0 | 50.0 | | 11500 |
| 25D560K | J | 35 | 45 | 56(50-62) | 110 | | | | 41.0 | 60.0 | | 10500 |
| 25D680K | J | 40 | 56 | 68(61-75) | 135 | | | | 49.0 | 70.0 | | 9050 |
| 25D820K | J | 50 | 65 | 82(74-90) | 135 | 150 | 15000 / 10000×2 | 18000 / 15000×2 | 56.0 | 80.0 | 1.20 | 7700 |
| 25D101K | J | 60 | 85 | 100(90-110) | 165 | | | | 70.0 | 100.0 | | 6300 |
| 25D121K | J | 75 | 110 | 120(108-132) | 200 | | | | 85.0 | 120.0 | | 5200 |
| 25D151K | J | 95 | 125 | 150(135-165) | 250 | | | | 106.0 | 160.0 | | 4300 |
| 25D181K | J | 115 | 150 | 180(162-198) | 300 | | | | 130.0 | 175.0 | | 3500 |
| 25D201K | J | 130 | 170 | 200(185-225) | 340 | | | | 140.0 | 190.0 | | 3200 |
| 25D221K | J | 140 | 180 | 220(198-242) | 360 | | | | 155.0 | 200.0 | | 2900 |
| 25D241K | J | 150 | 200 | 240(216-264) | 395 | | | | 168.0 | 220.0 | | 2650 |
| 25D271K | J | 175 | 225 | 270(243-297) | 455 | | | | 190.0 | 255.0 | | 2400 |
| 25D301K | J | 190 | 250 | 300(270-330) | 500 | | | | 210.0 | 275.0 | | 2100 |
| 25D331K | J | 210 | 275 | 330(297-363) | 550 | | | | 228.0 | 300.0 | | 1900 |
| 25D361K | J | 230 | 300 | 360(324-396) | 595 | | | | 255.0 | 330.0 | | 1750 |
| 25D391K | J | 250 | 320 | 390(351-429) | 650 | | | | 275.0 | 360.0 | | 1600 |
| 25D431K | J | 275 | 350 | 430(387-473) | 710 | | | | 305.0 | 380.0 | | 1500 |
| 25D471K | J | 300 | 385 | 470(423-517) | 775 | | | | 350.0 | 400.0 | | 1400 |
| 25D511K | J | 320 | 415 | 510(459-561) | 845 | | | | 361.0 | 420.0 | | 1250 |
| 25D561K | J | 350 | 460 | 560(504-616) | 925 | | | | 380.0 | 440.0 | | 1150 |
| 25D621K | J | 385 | 505 | 620(558-682) | 1025 | | | | 396.0 | 450.0 | | 1050 |
| 25D681K | J | 420 | 560 | 680(612-748) | 1120 | | | | 408.0 | 460.0 | | 950 |
| 25D751K | J | 460 | 615 | 750(675-825) | 1240 | | | | 420.0 | 510.0 | | 850 |
| 25D781K | J | 485 | 640 | 780(702-858) | 1290 | | | | 440.0 | 530.0 | | 800 |
| 25D821K | J | 510 | 670 | 820(738-902) | 1355 | | | | 460.0 | 570.0 | | 750 |
| 25D911K | J | 550 | 745 | 910(819-1001) | 1500 | | | | 510.0 | 620.0 | | 700 |
| 25D102K | J | 625 | 825 | 1000(900-1100) | 1650 | | | | 565.0 | 685.0 | | 650 |
| 25D112K | J | 680 | 895 | 1100(990-1210) | 1815 | 620.0 | 720.0 | 600 | | | | |
| 25D122K | J | 750 | 990 | 1200(1080-1320) | 1980 | 631.0 | 792.0 | 550 | | | | |
| 25D102K | J | 880 | 1140 | 1400(1260-1540) | 2310 | 697.0 | 850.0 | 500 | | | | |
| 25D162K | J | 1000 | 1280 | 1600(1440-1760) | 2640 | 805.0 | 970.0 | 450 | | | | |
| 25D182K | J | 1100 | 1465 | 1800(1620-1980) | 2970 | 896.0 | 1092.0 | 400 | | | | |



SPD Series Specifications

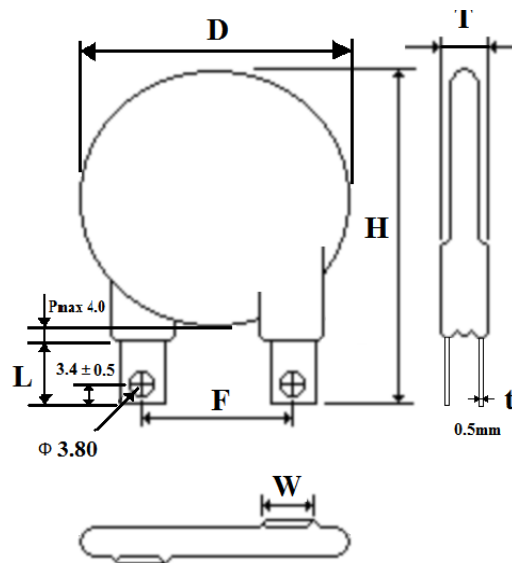


*32D Specification

| COV Part Number | Maxlimum Allowable Voltage 最大允许电压 | | Varistor Voltage 压敏电阻器 动作电压 $V_{1.0mA}$ (V) | Clamping Voltage (Max.) 抑制电压@ $(8/20)\mu s$ | | Maxlimum Peak Current 最大电流耐量 $(8/20)\mu s$ | | Maxlimum Energy 最大吸收能 $(10/1000)\mu s$ (J) | Rated Power 消耗功率 (W) | Typical Capacitance (Reference) 参考电容值 @1KHz (pF) |
|-----------------|-----------------------------------|------|--|---|------|--|-------|--|----------------------|--|
| | AC.rms | DC | | V_c | IP | 1time | 2time | | | |
| Standard | (V) | | | (V) | (A) | (A) | | | | |
| COV-32D201K | 130 | 170 | 200(185-225) | 340 | 200 | 25000 | 20000 | 250 | 1.2 | 5200 |
| COV-32D241K | 150 | 200 | 240(216-264) | 395 | | | | 290 | | 5100 |
| COV-32D271K | 175 | 225 | 270(243-297) | 455 | | | | 300 | | 4800 |
| COV-32D331K | 210 | 275 | 330(297-363) | 550 | | | | 360 | | 4300 |
| COV-32D361K | 230 | 300 | 360(324-396) | 595 | | | | 380 | | 3900 |
| COV-32D391K | 250 | 320 | 390(351-429) | 650 | | | | 400 | | 3200 |
| COV-32D431K | 275 | 350 | 430(387-473) | 710 | | | | 430 | | 3100 |
| COV-32D471K | 300 | 385 | 470(423-517) | 775 | | | | 460 | | 2800 |
| COV-32D511K | 320 | 415 | 510(459-561) | 845 | | | | 510 | | 2700 |
| COV-32D621K | 385 | 505 | 620(558-682) | 1025 | | | | 570 | | 2400 |
| COV-32D681K | 420 | 560 | 680(612-748) | 1120 | | | | 600 | | 2200 |
| COV-32D751K | 460 | 615 | 750(675-825) | 1240 | | | | 620 | | 2000 |
| COV-32D781K | 485 | 640 | 780(702-858) | 1290 | | | | 660 | | 1900 |
| COV-32D821K | 510 | 670 | 820(738-902) | 1355 | | | | 700 | | 1800 |
| COV-32D911K | 550 | 745 | 910(819-1001) | 1500 | | | | 750 | | 1300 |
| COV-32D951K | 575 | 765 | 950(855-1045) | 1570 | | | | 780 | | 1200 |
| COV-32D102K | 625 | 825 | 1000(900-1100) | 1650 | | | | 810 | | 1100 |
| COV-32D112K | 680 | 895 | 1100(990-1210) | 1815 | | | | 910 | | 1000 |
| COV-32D122K | 750 | 990 | 1200(1080-1320) | 1980 | | | | 960 | | 920 |
| COV-32D142K | 880 | 1140 | 1400(1260-1540) | 2310 | | | | 1020 | 1.0 | 800 |
| COV-32D162K | 1000 | 1280 | 1600(1440-1760) | 2640 | 1080 | 1.0 | 700 | | | |

| | |
|-----------------|------|
| D(max.) | 38 |
| H(max.) | 56.3 |
| F(± 0.5) | 25.4 |
| t(± 0.05) | 0.5 |
| L(min.) | 14.5 |
| W(± 0.5) | 7 |

| Model | T(max.) | Model | T(max.) |
|-------|---------|-------|---------|
| 201K | 6.2 | 751K | 9.4 |
| 241K | 6.4 | 781K | 9.6 |
| 271K | 6.6 | 821K | 9.8 |
| 331K | 6.9 | 911K | 10.4 |
| 361K | 7.1 | 951K | 10.6 |
| 391K | 7.3 | 102K | 11.2 |
| 431K | 7.5 | 112K | 11.8 |
| 471K | 7.8 | 122K | 12.3 |
| 511K | 8.0 | 142K | 13.3 |
| 621K | 8.7 | 162K | 14.3 |
| 681K | 9.0 | | |



(表一：基本尺寸表)

(表二：厚度尺寸表)

(图1：32D系列简图)



SPD Series Specifications

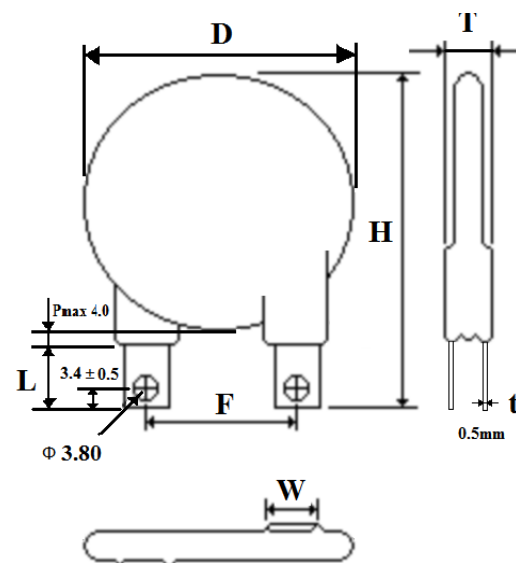


*40D Specification

| COV Part Number | Maxlimum Allowable Voltage 最大允许电压 | | Varistor Voltage 压敏电阻器动作电压 $V_{1.0mA}$ (V) | Clamping Voltage (Max.) 抑制电压@ (8/20) μ s Vc IP | | Maxlimum Peak Current 最大电流耐量(8/20) μ s 1time 2time | | Maxlimum Energy 最大吸收能 (10/1000) μ s (J) | Rated Power 消耗功率 (W) | Typical Capacitance (Reference) 参考电容值 @ 1KHz (pF) |
|-----------------|-----------------------------------|------|---|---|------|---|-------|--|-------------------------|--|
| | AC.rms | DC | | (V) | (V) | (A) | (A) | | | |
| Standard | (V) | | | (V) | (A) | (A) | | | | @ 1KHz (pF) |
| COV-40D201K | 130 | 170 | 200(185-225) | 340 | 300 | 40000 | 30000 | 370 | 1.4 | 8400 |
| COV-40D241K | 150 | 200 | 240(216-264) | 395 | | | | 430 | | 8000 |
| COV-40D271K | 175 | 225 | 270(243-297) | 455 | | | | 470 | | 7600 |
| COV-40D331K | 210 | 275 | 330(297-363) | 550 | | | | 550 | | 6700 |
| COV-40D361K | 230 | 300 | 360(324-396) | 595 | | | | 570 | | 6200 |
| COV-40D391K | 250 | 320 | 390(351-429) | 650 | | | | 590 | | 5100 |
| COV-40D431K | 275 | 350 | 430(387-473) | 710 | | | | 660 | | 4900 |
| COV-40D471K | 300 | 385 | 470(423-517) | 775 | | | | 720 | | 4300 |
| COV-40D511K | 320 | 415 | 510(459-561) | 845 | | | | 770 | | 4200 |
| COV-40D621K | 385 | 505 | 620(558-682) | 1025 | | | | 860 | | 3800 |
| COV-40D681K | 420 | 560 | 680(612-748) | 1120 | | | | 900 | | 3500 |
| COV-40D751K | 460 | 615 | 750(675-825) | 1240 | | | | 940 | | 3200 |
| COV-40D781K | 485 | 640 | 780(702-858) | 1290 | | | | 980 | | 3000 |
| COV-40D821K | 510 | 670 | 820(738-902) | 1355 | | | | 1080 | | 2900 |
| COV-40D911K | 550 | 745 | 910(819-1001) | 1500 | | | | 1150 | | 2200 |
| COV-40D951K | 575 | 765 | 950(855-1045) | 1570 | | | | 1200 | | 2000 |
| COV-40D102K | 625 | 825 | 1000(900-1100) | 1650 | | | | 1260 | | 1800 |
| COV-40D112K | 680 | 895 | 1100(990-1210) | 1815 | | | | 1380 | | 1600 |
| COV-40D122K | 750 | 990 | 1200(1080-1320) | 1980 | | | | 1460 | | 1500 |
| COV-40D142K | 880 | 1140 | 1400(1260-1540) | 2310 | | | | 1550 | | 1300 |
| COV-40D162K | 1000 | 1280 | 1600(1440-1760) | 2640 | 1700 | 1150 | | | | |

| | |
|-----------------|------|
| D(max.) | 45 |
| H(max.) | 60.3 |
| F(± 0.5) | 25.4 |
| t(± 0.05) | 0.5 |
| L(min.) | 14.5 |
| W(± 0.5) | 7 |

| Model | T(max.) | Model | T(max.) |
|-------|---------|-------|---------|
| 201K | 6.2 | 751K | 9.4 |
| 241K | 6.4 | 781K | 9.6 |
| 271K | 6.6 | 821K | 9.8 |
| 331K | 6.9 | 911K | 10.4 |
| 361K | 7.1 | 951K | 10.6 |
| 391K | 7.3 | 102K | 11.2 |
| 431K | 7.5 | 112K | 11.8 |
| 471K | 7.8 | 122K | 12.3 |
| 511K | 8.0 | 142K | 13.3 |
| 621K | 8.7 | 162K | 14.3 |
| 681K | 9.0 | | |



(表一: 基本尺寸表)

(表二: 厚度尺寸表)

(图1: 40D系列简图)



SPD Series Specifications

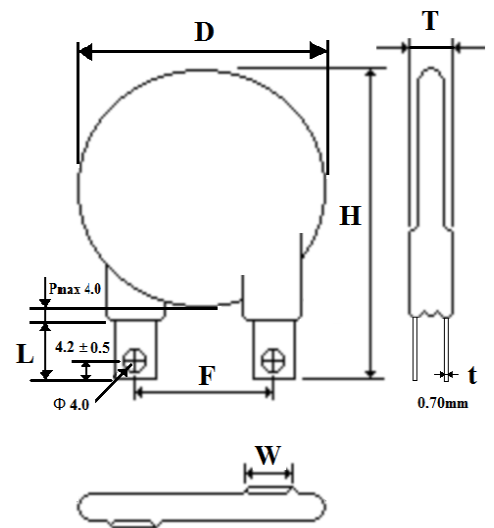


*53D Specification

| COV Part Number | Maxlimum Allowable Voltage 最大允许电压 | | VaristorVoltage 压敏电阻器 动作电压 $V_{1.0mA}$ (V) | ClampingVoltage (Max.) 抑制电压@(8/20) μ s | | Maxlimum Peak Current 最大电流耐量(8/20) μ s | | Maxlimum Energy 最大吸收能 (10/1000) μ s (J) | Rated Power 消耗功率 (W) | Typical Capactance (Reference) 参考电容值 @1KHz (pF) |
|-----------------|-----------------------------------|------|---|--|------|--|-------|--|-------------------------|--|
| | AC.rms | DC | | Vc | IP | 1time | 2time | | | |
| Standard | (V) | | | (V) | (A) | (A) | | | | |
| COV-53D201K | 130 | 170 | 200(185-225) | 340 | 500 | 70000 | 50000 | 550 | 1.5 | 15000 |
| COV-53D241K | 150 | 200 | 240(216-264) | 395 | | | | 12500 | | |
| COV-53D271K | 175 | 225 | 270(243-297) | 455 | | | | 11000 | | |
| COV-53D331K | 210 | 275 | 330(297-363) | 550 | | | | 9000 | | |
| COV-53D361K | 230 | 300 | 360(324-396) | 595 | | | | 8500 | | |
| COV-53D391K | 250 | 320 | 390(351-429) | 650 | | | | 7500 | | |
| COV-53D431K | 275 | 350 | 430(387-473) | 710 | | | | 7000 | | |
| COV-53D471K | 300 | 385 | 470(423-517) | 775 | | | | 6500 | | |
| COV-53D511K | 320 | 415 | 510(459-561) | 845 | | | | 6000 | | |
| COV-53D621K | 385 | 505 | 620(558-682) | 1025 | | | | 5000 | | |
| COV-53D681K | 420 | 560 | 680(612-748) | 1120 | | | | 4500 | | |
| COV-53D751K | 460 | 615 | 750(675-825) | 1240 | | | | 4000 | | |
| COV-53D781K | 485 | 640 | 780(702-858) | 1290 | | | | 3900 | | |
| COV-53D821K | 510 | 670 | 820(738-902) | 1355 | | | | 3700 | | |
| COV-53D911K | 550 | 745 | 910(819-1001) | 1500 | | | | 3300 | | |
| COV-53D951K | 575 | 765 | 950(855-1045) | 1570 | | | | 3200 | | |
| COV-53D102K | 625 | 825 | 1000(900-1100) | 1650 | | | | 3000 | | |
| COV-53D112K | 680 | 895 | 1100(990-1210) | 1815 | | | | 2700 | | |
| COV-53D122K | 750 | 990 | 1200(1080-1320) | 1980 | | | | 2500 | | |
| COV-53D142K | 880 | 1140 | 1400(1260-1540) | 2310 | | | | 2150 | | |
| COV-53D162K | 1000 | 1280 | 1600(1440-1760) | 2640 | 1900 | | | | | |

| | |
|-----------------|------|
| D(max.) | 60 |
| H(max.) | 78.2 |
| F(± 0.5) | 25.4 |
| t(± 0.05) | 0.7 |
| L(min.) | 14.5 |
| W(± 0.5) | 7 |

| Model | T(max.) | Model | T(max.) |
|-------|---------|-------|---------|
| 201K | 6.3 | 751K | 9.5 |
| 241K | 6.5 | 781K | 9.7 |
| 271K | 6.7 | 821K | 9.9 |
| 331K | 7.0 | 911K | 10.5 |
| 361K | 7.2 | 951K | 10.7 |
| 391K | 7.4 | 102K | 11.2 |
| 431K | 7.6 | 112K | 11.8 |
| 471K | 7.9 | 122K | 12.3 |
| 511K | 8.1 | 142K | 13.3 |
| 621K | 8.8 | 162K | 14.3 |
| 681K | 9.1 | | |



(表一：基本尺寸表)

(表二：厚度尺寸表)

(图1：53D系列简图)



SPD Series Specifications

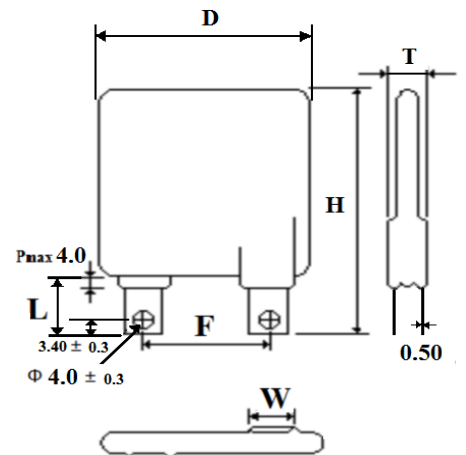


*34S Specification

| COV Part Number | Maxlimum Allowable Voltage 最大允许电压 | | VaristorVoltage 压敏电阻器 动作电压 $V_{1.0mA}$ (V) | ClampingVoltage (Max.) 抑制电压@(8/20)us V_c (V) | | Maxlimum Peak Current 最大电流耐量(8/20)us I_{t1} (A) | | Maxlimum Energy 最大吸收能 (10/1000)us (J) | Rated Power 消耗功率 (W) | Typical Capacitance (Reference) 参考电容值 @1KHz (pF) |
|--------------------|--------------------------------------|------|---|---|-------------|--|-------|---|----------------------------|--|
| | AC.rms | DC | | I_{t2} (A) | I_{p} (A) | | | | | |
| Standard | (V) | | | (V) | (A) | (A) | | | | |
| COV-34S201K | 130 | 170 | 200(185-225) | 340 | 300 | 40000 | 30000 | 330 | 1.4 | 8000 |
| COV-34S221K | 140 | 180 | 220(198-242) | 360 | | | | 7800 | | |
| COV-34S241K | 150 | 200 | 240(216-264) | 395 | | | | 7600 | | |
| COV-34S271K | 175 | 225 | 270(243-297) | 455 | | | | 7200 | | |
| COV-34S331K | 210 | 275 | 330(297-363) | 550 | | | | 6400 | | |
| COV-34S361K | 230 | 300 | 360(324-396) | 595 | | | | 6000 | | |
| COV-34S391K | 250 | 320 | 390(351-429) | 650 | | | | 4800 | | |
| COV-34S431K | 275 | 350 | 430(387-473) | 710 | | | | 4600 | | |
| COV-34S471K | 300 | 385 | 470(423-517) | 775 | | | | 4100 | | |
| COV-34S511K | 320 | 415 | 510(459-561) | 845 | | | | 4000 | | |
| COV-34S561K | 350 | 460 | 560(504-616) | 925 | | | | 3800 | | |
| COV-34S621K | 385 | 505 | 620(558-682) | 1025 | | | | 3600 | | |
| COV-34S681K | 420 | 560 | 680(612-748) | 1120 | | | | 3300 | | |
| COV-34S751K | 460 | 615 | 750(675-825) | 1240 | | | | 3000 | | |
| COV-34S781K | 485 | 640 | 780(702-858) | 1290 | | | | 2850 | | |
| COV-34S821K | 510 | 670 | 820(738-902) | 1355 | | | | 2700 | | |
| COV-34S911K | 550 | 745 | 910(819-1001) | 1500 | | | | 2100 | | |
| COV-34S951K | 575 | 765 | 950(855-1045) | 1570 | | | | 1900 | | |
| COV-34S102K | 625 | 825 | 1000(900-1100) | 1650 | | | | 1700 | | |
| COV-34S112K | 680 | 895 | 1100(990-1210) | 1815 | | | | 1520 | | |
| COV-34S122K | 750 | 990 | 1200(1080-1320) | 1980 | 1400 | | | | | |
| COV-34S142K | 880 | 1140 | 1400(1260-1540) | 2310 | 1250 | | | | | |
| COV-34S162K | 1000 | 1280 | 1600(1440-1760) | 2640 | 1100 | | | | | |

| | |
|----------|------|
| D(max.) | 44 |
| H(max.) | 56.6 |
| F(±0.5) | 25.4 |
| t(±0.05) | 0.5 |
| L(min.) | 14.5 |
| W(±0.5) | 7. |

| Model | T(max.) | Model | T(max.) |
|-------|---------|-------|---------|
| 201K | 6.3 | 751K | 9.5 |
| 241K | 6.5 | 781K | 9.7 |
| 271K | 6.7 | 821K | 9.9 |
| 331K | 7.0 | 911K | 10.5 |
| 361K | 7.2 | 951K | 10.7 |
| 391K | 7.4 | 102K | 11.2 |
| 431K | 7.6 | 112K | 11.8 |
| 471K | 7.9 | 122K | 12.3 |
| 511K | 8.1 | 142K | 13.3 |
| 621K | 8.8 | 162K | 14.3 |
| 681K | 9.1 | | |



(表一：基本尺寸表)

(表二：厚度尺寸表)

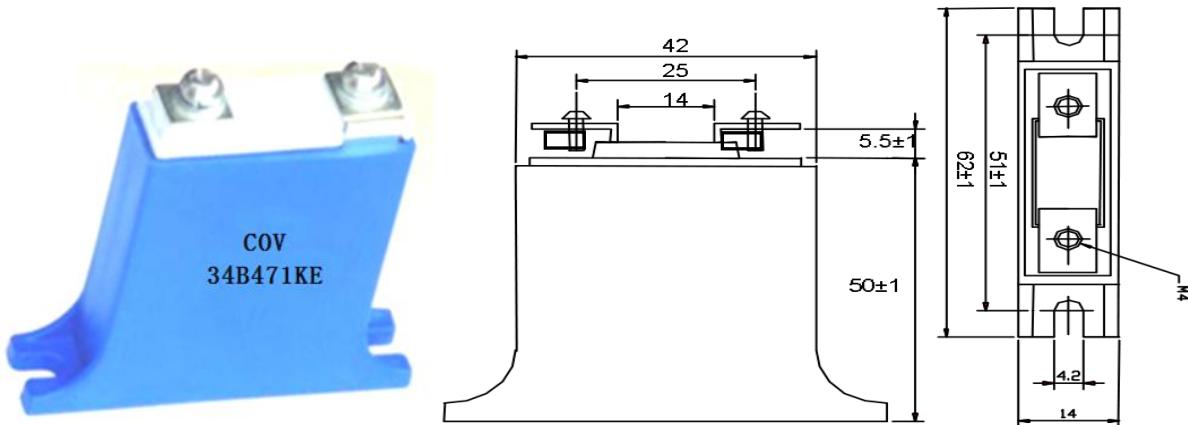
(图1：34S系列简图)



SPD Series Specifications

*34B (BLOCK VARISTOR) Specification

| COV Part Number | Maxlimum Allowable Voltage 最大允许电压 | | Varistor Voltage 压敏电阻器 动作电压 $V_{1.0mA}$ (V) | Clamping Voltage (Max.) 抑制电压@(8/20) us | | Maxlimum Peak Current 最大电流耐量(8/20) us | | Maxlimum Energy 最大吸收能(10/1000) us (J) | Rated Power 消耗功率 (W) | Typical Capactance (Reference) 参考电容值 @1KHz (pF) |
|--------------------|--------------------------------------|-----|--|---|-----|--|-------|--|----------------------------|---|
| | AC.rms | DC | | Vc | IP | 1time | 2time | | | |
| Standard | (V) | | | (V) | (A) | (A) | | | | |
| COV-34B201K | 130 | 170 | 200(185-225) | 340 | 300 | 40000 | 30000 | 330 | 1.4 | 8000 |
| COV-34B221K | 140 | 180 | 220(198-242) | 360 | | | | 7800 | | |
| COV-34B241K | 150 | 200 | 240(216-264) | 395 | | | | 7600 | | |
| COV-34B271K | 175 | 225 | 270(243-297) | 455 | | | | 7200 | | |
| COV-34B331K | 210 | 275 | 330(297-363) | 550 | | | | 6400 | | |
| COV-34B361K | 230 | 300 | 360(324-396) | 595 | | | | 6000 | | |
| COV-34B391K | 250 | 320 | 390(351-429) | 650 | | | | 4800 | | |
| COV-34B431K | 275 | 350 | 430(387-473) | 710 | | | | 4600 | | |
| COV-34B471K | 300 | 385 | 470(423-517) | 775 | | | | 4100 | | |
| COV-34B511K | 320 | 415 | 510(459-561) | 845 | | | | 4000 | | |
| COV-34B561K | 350 | 460 | 560(504-616) | 925 | | | | 3800 | | |
| COV-34B621K | 385 | 505 | 620(558-682) | 1025 | | | | 3600 | | |
| COV-34B681K | 420 | 560 | 680(612-748) | 1120 | | | | 3300 | | |
| COV-34B751K | 460 | 615 | 750(675-825) | 1240 | | | | 3000 | | |
| COV-34B781K | 485 | 640 | 780(702-858) | 1290 | | | | 2850 | | |
| COV-34B821K | 510 | 670 | 820(738-902) | 1355 | | | | 2700 | | |
| COV-34B911K | 550 | 745 | 910(819-1001) | 1500 | | | | 2100 | | |
| COV-34B951K | 575 | 765 | 950(855-1045) | 1570 | | | | 1900 | | |
| COV-34B102K | 625 | 825 | 1000(900-1100) | 1650 | | | | 1700 | | |
| COV-34B112K | 680 | 895 | 1100(990-1210) | 1815 | | | | 1520 | | |



注：未注明公差±0.5mm

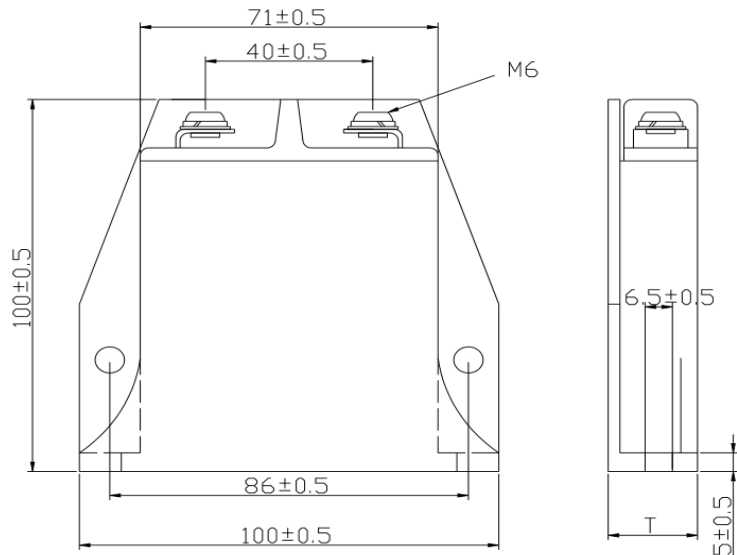
(图1: 34B系列简图)



SPD Series Specifications

*60B (BLOCK VARISTOR) Specification

| COV Part Number | Maxlimum Allowable Voltage 最大允许电压 | | Varistor Voltage 压敏电阻器 动作电压 $V_{1.0mA}$ (V) | Clamping Voltage (Max.) 抑制电压@(8/20) us | | Maxlimum Peak Current 最大电流耐量(8/20) us | | Maxlimum Energy 最大吸收能(10/1000) us (J) | Rated Power 消耗功率 (W) | Typical Capactance (Reference) 参考电容值 @ 1KHz (pF) |
|--------------------|--------------------------------------|-----|--|---|-----|--|-------|--|-------------------------------|--|
| | AC.rms | DC | | Vc | IP | 1time | 2time | | | |
| Standard | (V) | | | (V) | (A) | (A) | | | | |
| COV-60B201K | 130 | 170 | 200(185-225) | 340 | 500 | 70000 | 50000 | 550 | 1.6 | 15000 |
| COV-60B241K | 150 | 200 | 240(216-264) | 395 | | | | 12500 | | |
| COV-60B271K | 175 | 225 | 270(243-297) | 455 | | | | 11000 | | |
| COV-60B331K | 210 | 275 | 330(297-363) | 550 | | | | 9000 | | |
| COV-60B361K | 230 | 300 | 360(324-396) | 595 | | | | 8500 | | |
| COV-60B391K | 250 | 320 | 390(351-429) | 650 | | | | 7500 | | |
| COV-60B431K | 275 | 350 | 430(387-473) | 710 | | | | 7000 | | |
| COV-60B471K | 300 | 385 | 470(423-517) | 775 | | | | 6500 | | |
| COV-60B511K | 320 | 415 | 510(459-561) | 845 | | | | 6000 | | |
| COV-60B621K | 385 | 505 | 620(558-682) | 1025 | | | | 5000 | | |
| COV-60B681K | 420 | 560 | 680(612-748) | 1120 | | | | 4500 | | |
| COV-60B751K | 460 | 615 | 750(675-825) | 1240 | | | | 4000 | | |
| COV-60B781K | 485 | 640 | 780(702-858) | 1290 | | | | 3900 | | |
| COV-60B821K | 510 | 670 | 820(738-902) | 1355 | | | | 3700 | | |
| COV-60B911K | 550 | 745 | 910(819-1001) | 1500 | | | | 3300 | | |
| COV-60B951K | 575 | 765 | 950(855-1045) | 1570 | | | | 3200 | | |
| COV-60B102K | 625 | 825 | 1000(900-1100) | 1650 | | | | 3000 | | |
| COV-60B112K | 680 | 895 | 1100(990-1210) | 1815 | | | | 2700 | | |



注：未注明公差±0.5mm

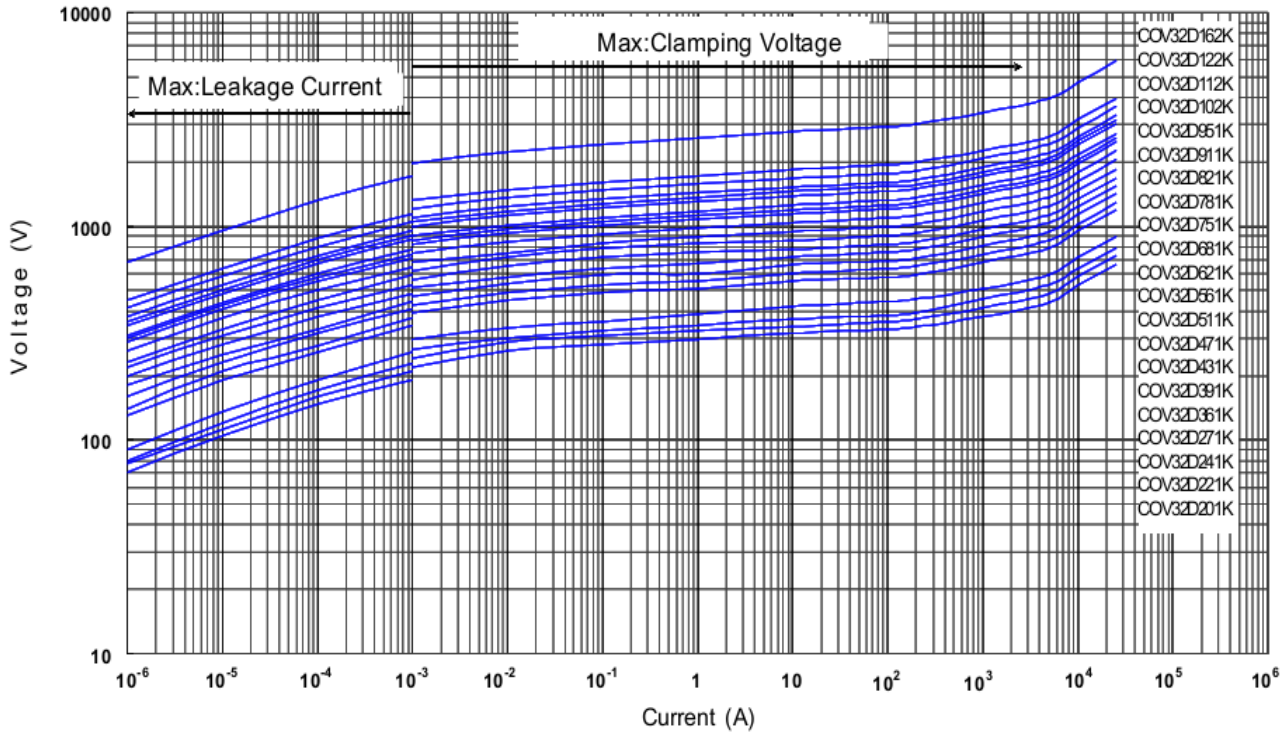
(图1: 60B系列简图)



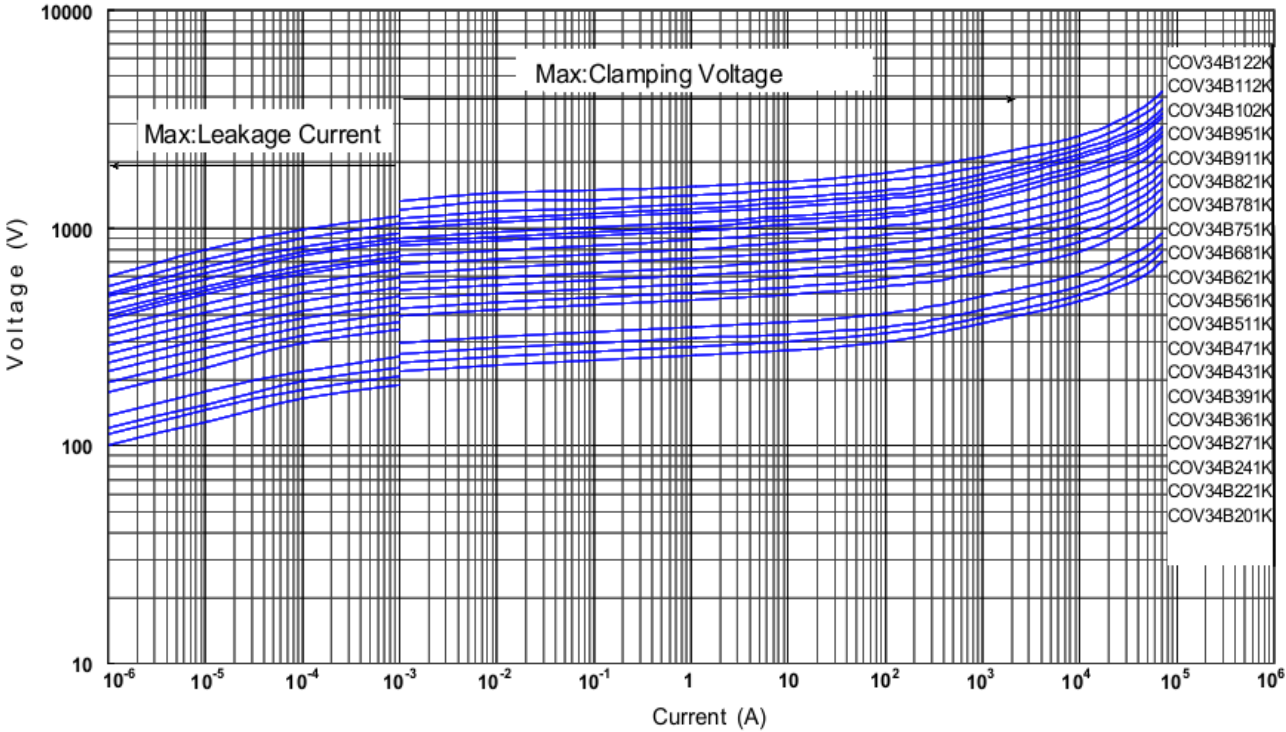
SPD Series Specifications

V-I Curve 电压电流特性曲线:

V-I Curve (COV32D201K ~ COV32D162K)



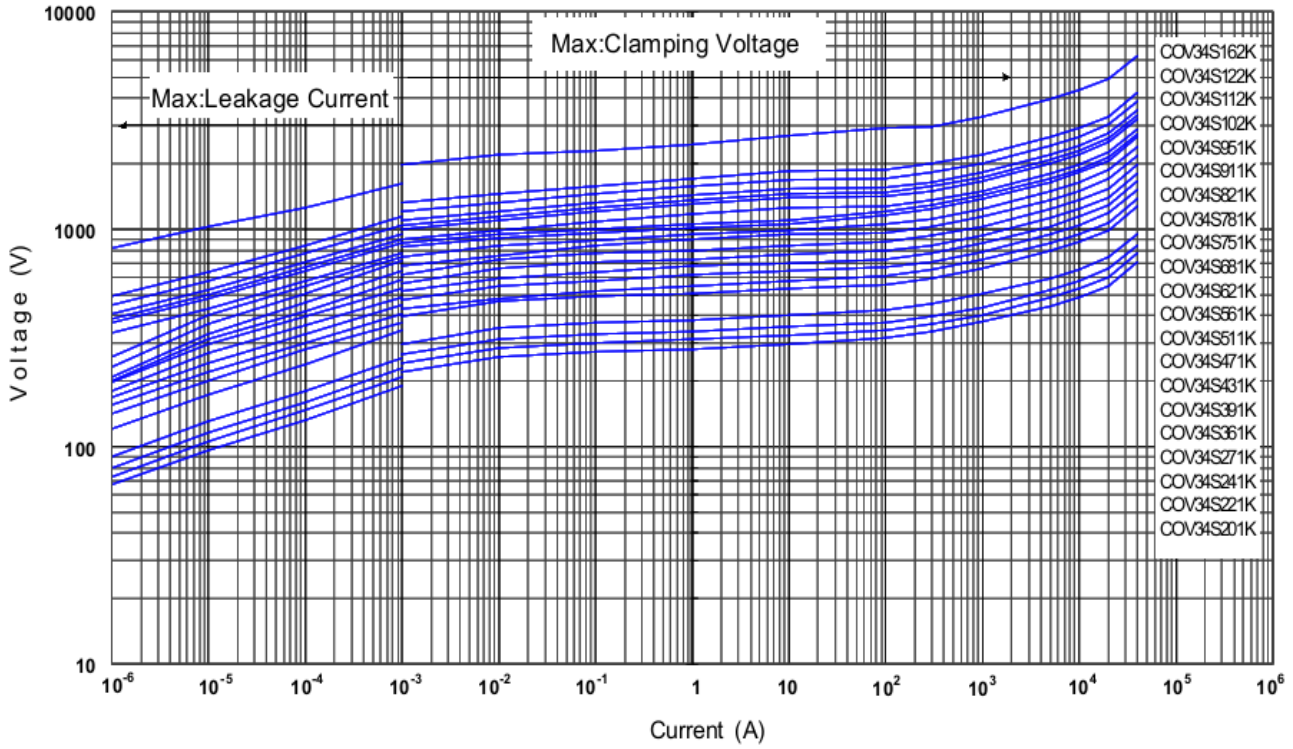
V-I Curve (COV34B201K ~ COV34B122K)



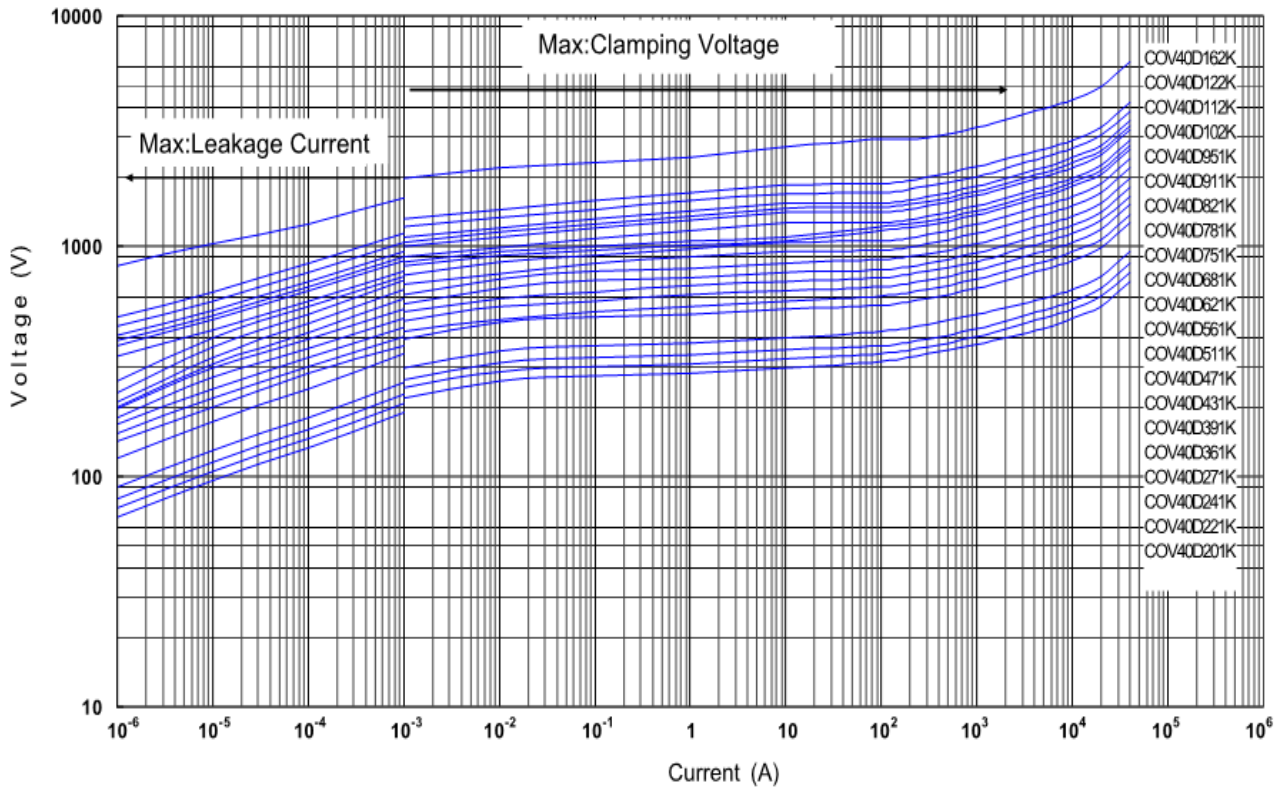


SPD Series Specifications

V-I Curve (COV34S201K ~ COV34S162K)



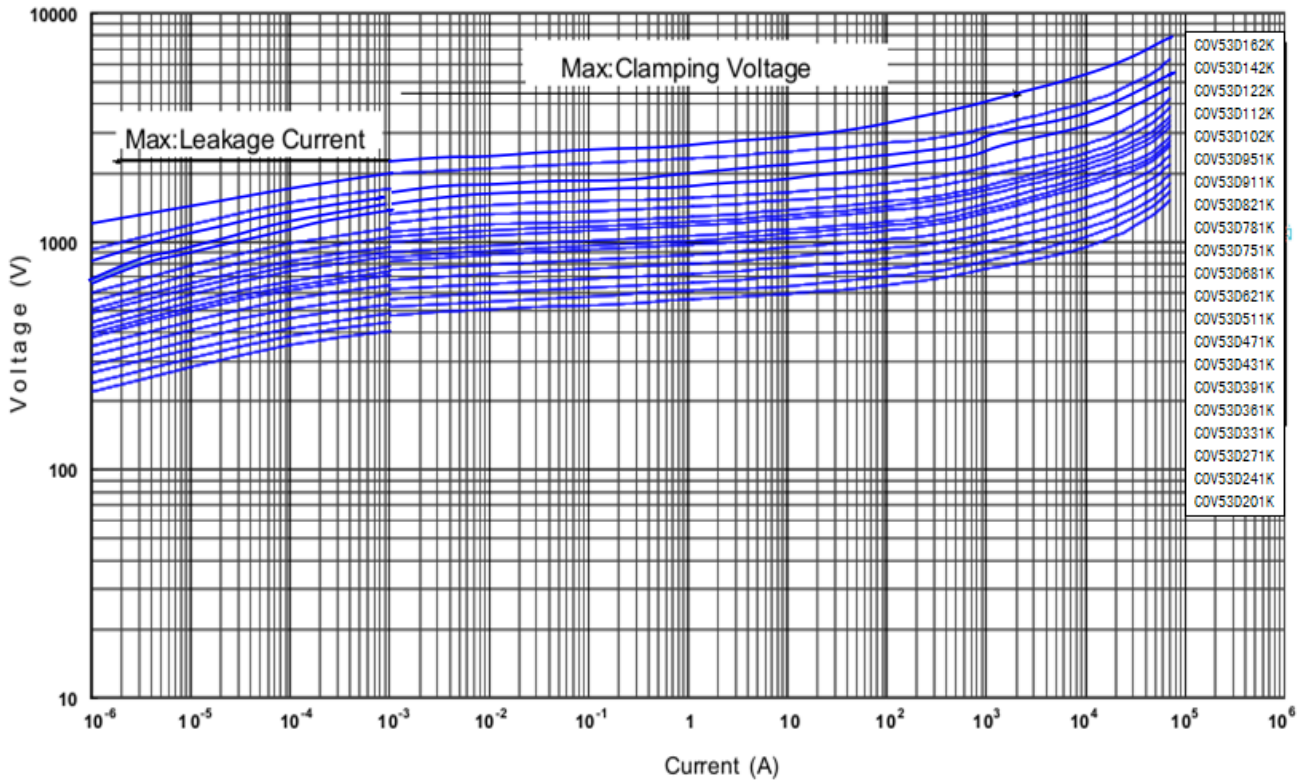
V-I Curve (COV40D201K ~ COV40D162K)



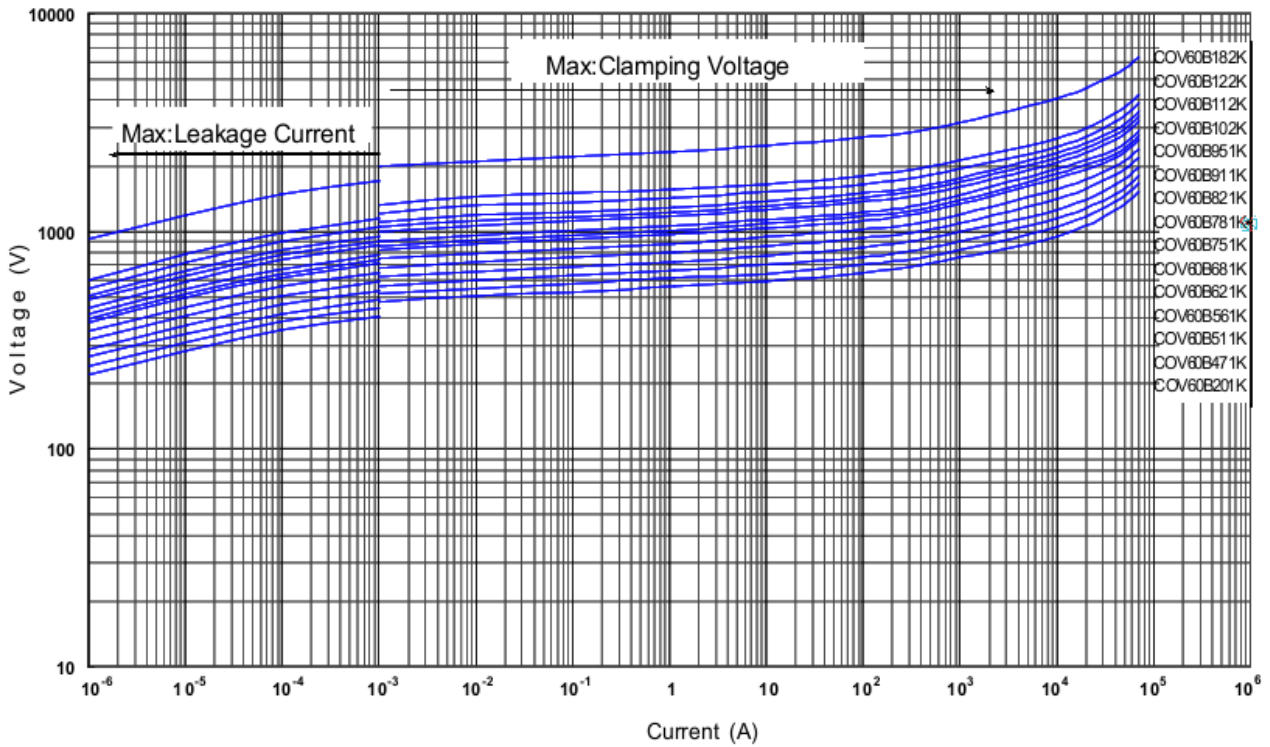


SPD Series Specifications

V-I Curve (COV53D201K~COV53D162K)



V-I Curve (COV60B201K ~ COV60B112K)





SPD Series Specifications

V - I (COV20D511K to COV20D182K)

