

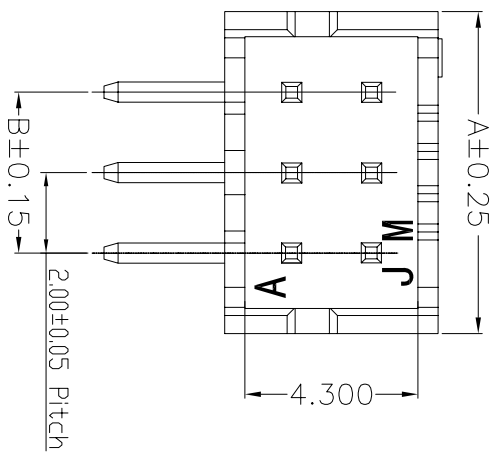
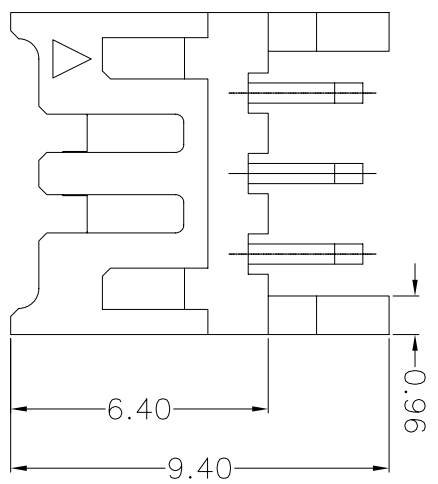
REV.	ECON. NO.	DESCRIPTION	DATE	DESIGN
A		变更料号 增加尺寸	17/6/8	苏亮
			17/7/17	苏亮

SPECIFICATIONS

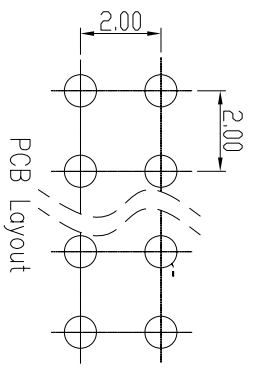
- 1) Voltage rating:250V AC,DC.
- 2) Current rating:3A AC,DC.
- 3) Withstanding voltage:800V AC/minute.
- 4) Insulation resistance:1,000M Ohm min.
- 5) Temperature range:-40°~+105°.
- 6) Contact resistance:Initial value/10m
omega max,after environmental testg
/20m omega max.

WAFER

- 1) Part No.:A2006WR-2XNP
- 2) Poles:4-40
- 3) Material:Contact:Brass,Tin plated
Base:PA9T UL94V-0
- 4) Qty:1000pcs/bag



Recommended P.C.B Layout(Top Side)
P.C.B Thickness = 1.00~1.60mm
(Tolerance=±0.05)



PART NO.	Dimensions	
	A	B
2X02P	6.00	2.00
2X03P	8.00	4.00
2X04P	10.00	6.00
2X05P	12.00	8.00
2X06P	14.00	10.00
2X07P	16.00	12.00
2X08P	18.00	14.00
2X09P	20.00	16.00
2X10P	22.00	18.00
2X11P	24.00	20.00
2X12P	26.00	22.00
2X13P	28.00	24.00
2X14P	30.00	26.00
2X15P	32.00	28.00
2X16P	34.00	30.00
2X17P	36.00	32.00
2X18P	38.00	34.00
2X19P	40.00	36.00
2X20P	42.00	38.00

CNJM Joint More Precision electronics Co.,Ltd.

DRW. NO.	DATE	P/N NO.	DRW. NAME:
DESIGN: 陈雪峰	2017.06.03	CNJM2006WR-2XNP-9T	2.0mm pitch wafer
CHECK: 杨焯			9T专用
REVIEW:		REV. A/1	SCALE 1:1
		UNIT: mm	SHEET 1 OF 1

