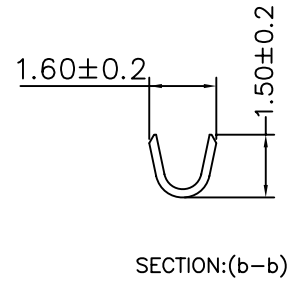
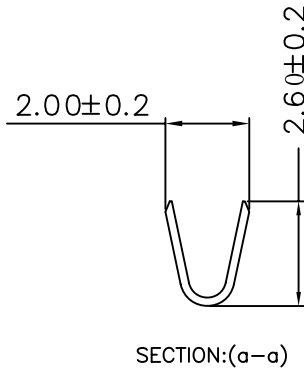
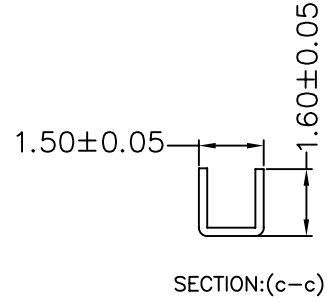
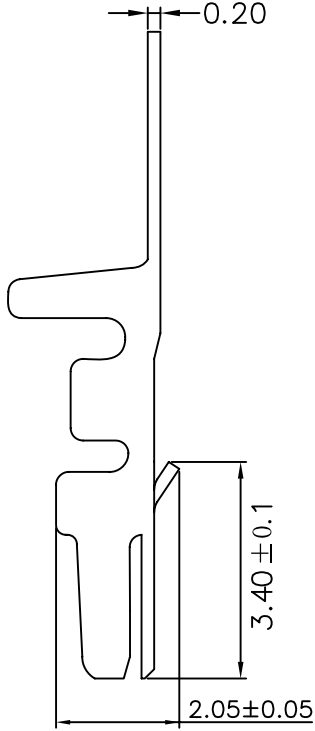
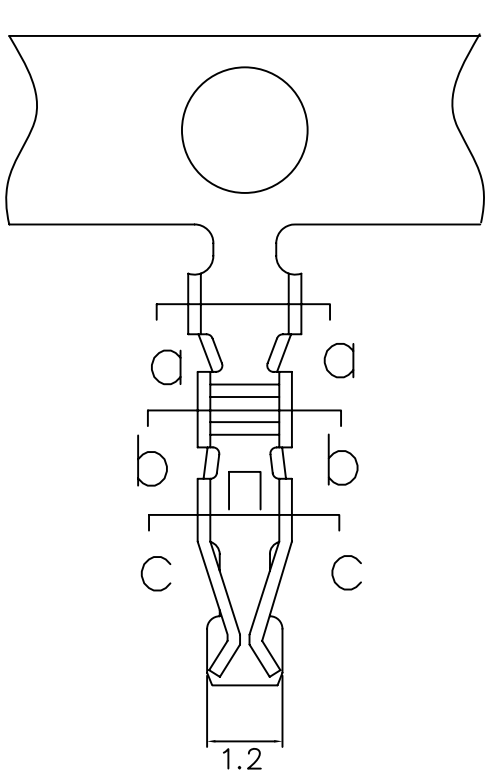


REV.	ECN NO.	DESCRIPTION	DATE	DESIGN
A		变更料号	16/11/22	苏亮



CNJM Joint More Precision electronics Co.,Ltd.

Part NO.	Wire range	Insulation O.D.	Materials	Finish	Qty/reel
A2006-TP	AWG#22-28	1.5mm(max)	Phosphor Bronze	Tin-plated	10000PCS
A2006-TPE	AWG#22-28	1.5mm(max)	Phosphor Bronze	Tin-plated	10000PCS

DIM	TOL	DIM	TOL
X.	/	X°	/
X.X	0.25	X.X°	
X.XX	0.15	X.XX°	
X.XXX	0.10	X.XXX°	/

DRAW NO.		DATE	P/N NO:	DRAW NAME:
DESIGN:	陈雪峰	2017.06.03	A2006-XXX	2.0mm pitch Terminal
CHECK:	杨焯			
REVIEW:			REV. A/1	SCALE 1:1
			UNIT: mm	SHEET: 1 OF 1

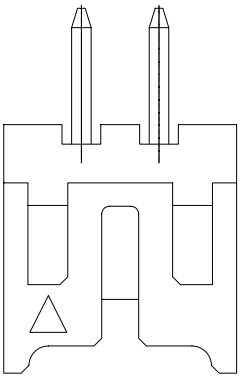
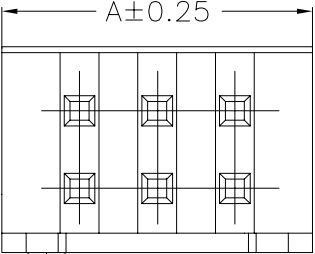
REV.	ECN NO.	DESCRIPTION	DATE	DESIGN
A		变更料号	17/06/08	苏亮

SPECIFICATIONS

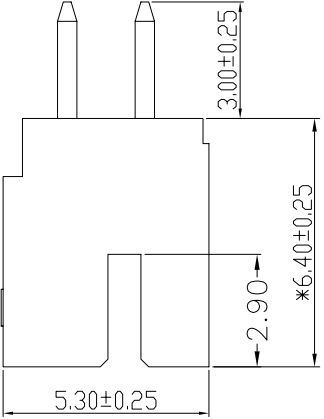
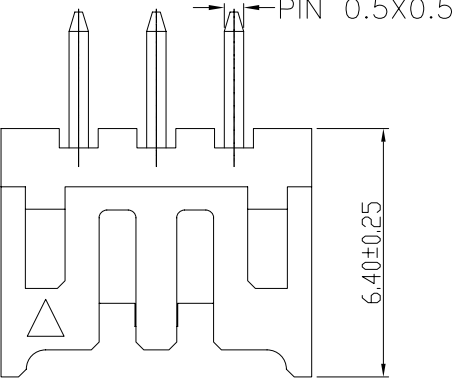
- 1) Voltage rating:250V AC,DC.
- 2) Current rating:3A AC,DC.
- 3) Withstanding voltage:800V AC/minute.
- 4) Insulation resistance:1,000M Ω min.
- 5) Temperature range:-40°~+105°.
- 6) Contact resistance:Initial value/10m Ω max,after environmental testg /20m Ω max.

WAFER

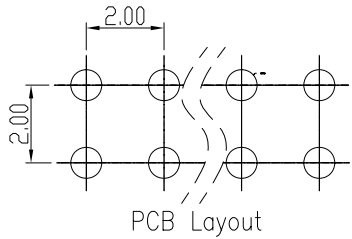
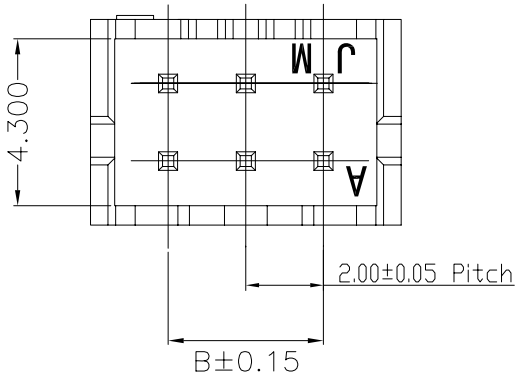
- 1) Part No.:A2006WV-2XNP
- 2) Poles:4-40
- 3) Material:Contact:Brass,Tin plated
Base:PA9T UL94v-0
- 4) Qty:1000pcs/bag



2P 视图



Recommended P.C.B Layout(Top Side)
P.C.B Thickness = 1.00~1.60mm
(Tolerance=±0.05)



PART NO.	Dimensions	
	A	B
A2006WV-2X02P	6.00	2.00
A2006WV-2X03P	8.00	4.00
A2006WV-2X04P	10.00	6.00
A2006WV-2X05P	12.00	8.00
A2006WV-2X06P	14.00	10.00
A2006WV-2X07P	16.00	12.00
A2006WV-2X08P	18.00	14.00
A2006WV-2X09P	20.00	16.00
A2006WV-2X10P	22.00	18.00
A2006WV-2X11P	24.00	20.00
A2006WV-2X12P	26.00	22.00
A2006WV-2X13P	28.00	24.00
A2006WV-2X14P	30.00	26.00
A2006WV-2X15P	32.00	28.00
A2006WV-2X16P	34.00	30.00
A2006WV-2X17P	36.00	32.00
A2006WV-2X18P	38.00	34.00
A2006WV-2X19P	40.00	36.00
A2006WV-2X20P	42.00	38.00

CNJM Joint More Precision electronics Co.,Ltd.

DRAW NO.	DATE	P/N NO:	DRAW NAME:
DESIGN: 陈雪峰	2017.06.03	A2006WV-2XNP-9T	2.0mm pitch wafer 9T专用
CHECK: 杨焯		REV. A/1	SCALE 1:1
REVIEW:		UNIT: mm	SHEET: 1 OF 1

DIM	TOL	DIM	TOL
X.	/	X*.	/
X.X	0.25	X.X*	
X.XX	0.15	X.XX*	
X.XXX	0.10	X.XXX*	/

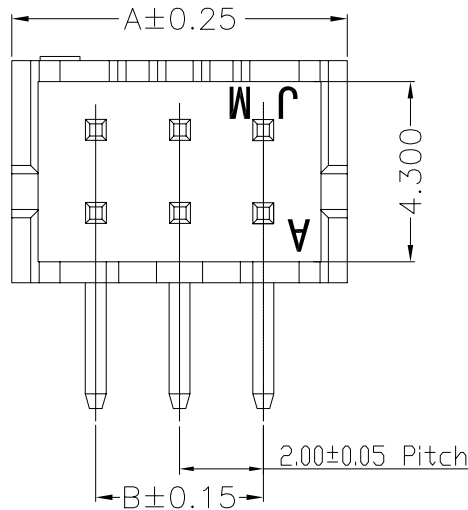
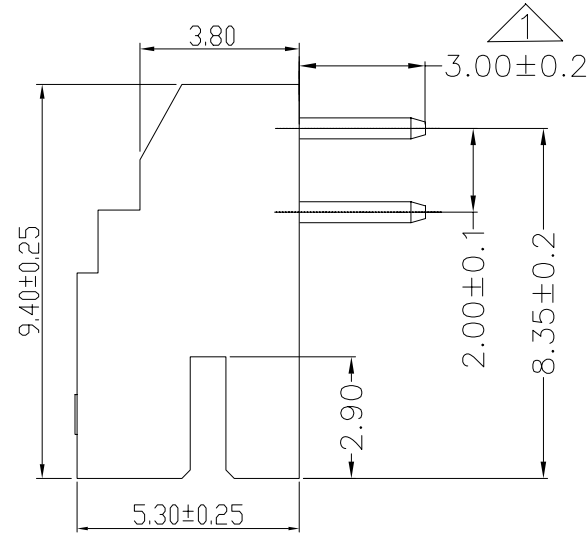
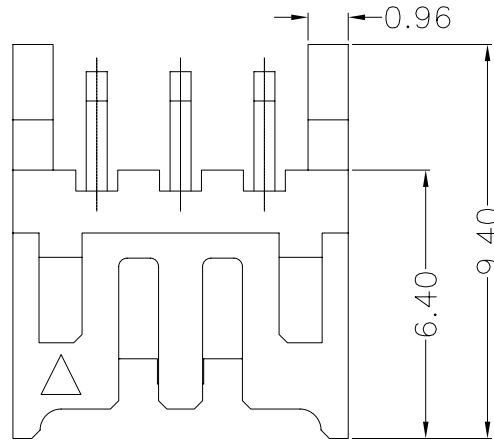
REV.	ECN NO.	DESCRIPTION	DATE	DESIGN
A		变更料号	17/6/8	苏亮
		增加尺寸	17/7/17	苏亮

SPECIFICATIONS

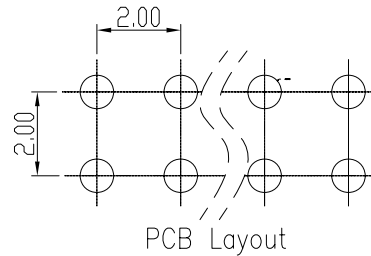
- 1) Voltage rating:250V AC,DC.
- 2) Current rating:3A AC,DC.
- 3) Withstanding voltage:800V AC/minute.
- 4) Insulation resistance:1,000M Ω min.
- 5) Temperature range:-40°~+105°.
- 6) Contact resistance:Initial value/10m Ω max,after environmental testg /20m Ω max.

WAFER

- 1) Part No.:A2006WR-2XNP
- 2) Poles:4-40
- 3) Material:Contact:Brass,Tin plated
Base:PA9T UL94v-0
- 4) Qty:1000pcs/bag



Recommended P.C.B Layout(Top Side)
P.C.B Thickness = 1.00~1.60mm
(Tolerance=±0.05)



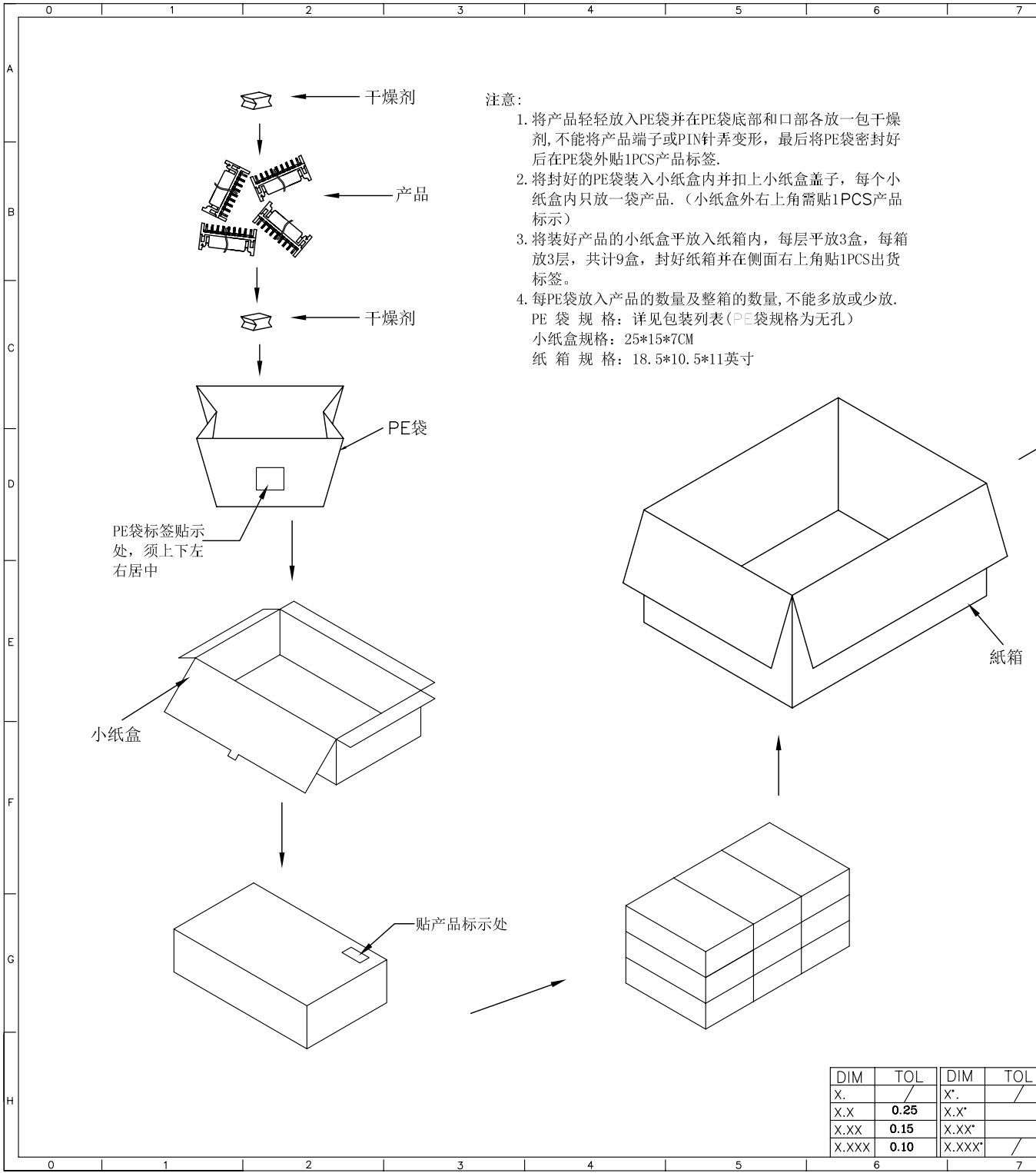
PART NO.	Dimensions	
	A	B
A2006WR-2X02P	6.00	2.00
A2006WR-2X03P	8.00	4.00
A2006WR-2X04P	10.00	6.00
A2006WR-2X05P	12.00	8.00
A2006WR-2X06P	14.00	10.00
A2006WR-2X07P	16.00	12.00
A2006WR-2X08P	18.00	14.00
A2006WR-2X09P	20.00	16.00
A2006WR-2X10P	22.00	18.00
A2006WR-2X11P	24.00	20.00
A2006WR-2X12P	26.00	22.00
A2006WR-2X13P	28.00	24.00
A2006WR-2X14P	30.00	26.00
A2006WR-2X15P	32.00	28.00
A2006WR-2X16P	34.00	30.00
A2006WR-2X17P	36.00	32.00
A2006WR-2X18P	38.00	34.00
A2006WR-2X19P	40.00	36.00
A2006WR-2X20P	42.00	38.00

CNJM Joint More Precision electronics Co.,Ltd.

DRAW NO.	DATE	P/N NO:	DRAW NAME:
DESIGN: 陈雪峰	2017.06.03	A2006WR-2XNP-9T	2.0mm pitch wafer 9T专用
CHECK: 杨焯			
REVIEW:		REV. A/1 SCALE 1:1	UNIT: mm SHEET 1 OF 1

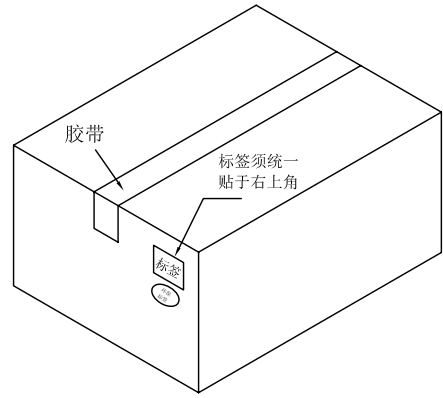
DIM	TOL	DIM	TOL
X.	/	X°.	/
X.X	0.25	X.X°	
X.XX	0.15	X.XX°	
X.XXX	0.10	X.XXX°	/

REV.	ECN NO.	DESCRIPTION	DATE	DESIGN
A				



注意:

1. 将产品轻轻放入PE袋并在PE袋底部和口部各放一包干燥剂, 不能将产品端子或PIN针弄变形, 最后将PE袋密封好后在PE袋外贴1PCS产品标签。
2. 将封好的PE袋装入小纸盒内并扣上小纸盒盖子, 每个小纸盒内只放一袋产品。(小纸盒外右上角需贴1PCS产品标示)
3. 将装好产品的小纸盒平放入纸箱内, 每层平放3盒, 每箱放3层, 共计9盒, 封好纸箱并在侧面右上角贴1PCS出货标签。
4. 每PE袋放入产品的数量及整箱的数量, 不能多放或少放。
PE袋规格: 详见包装列表(PE袋规格为无孔)
小纸盒规格: 25*15*7CM
纸箱规格: 18.5*10.5*11英寸



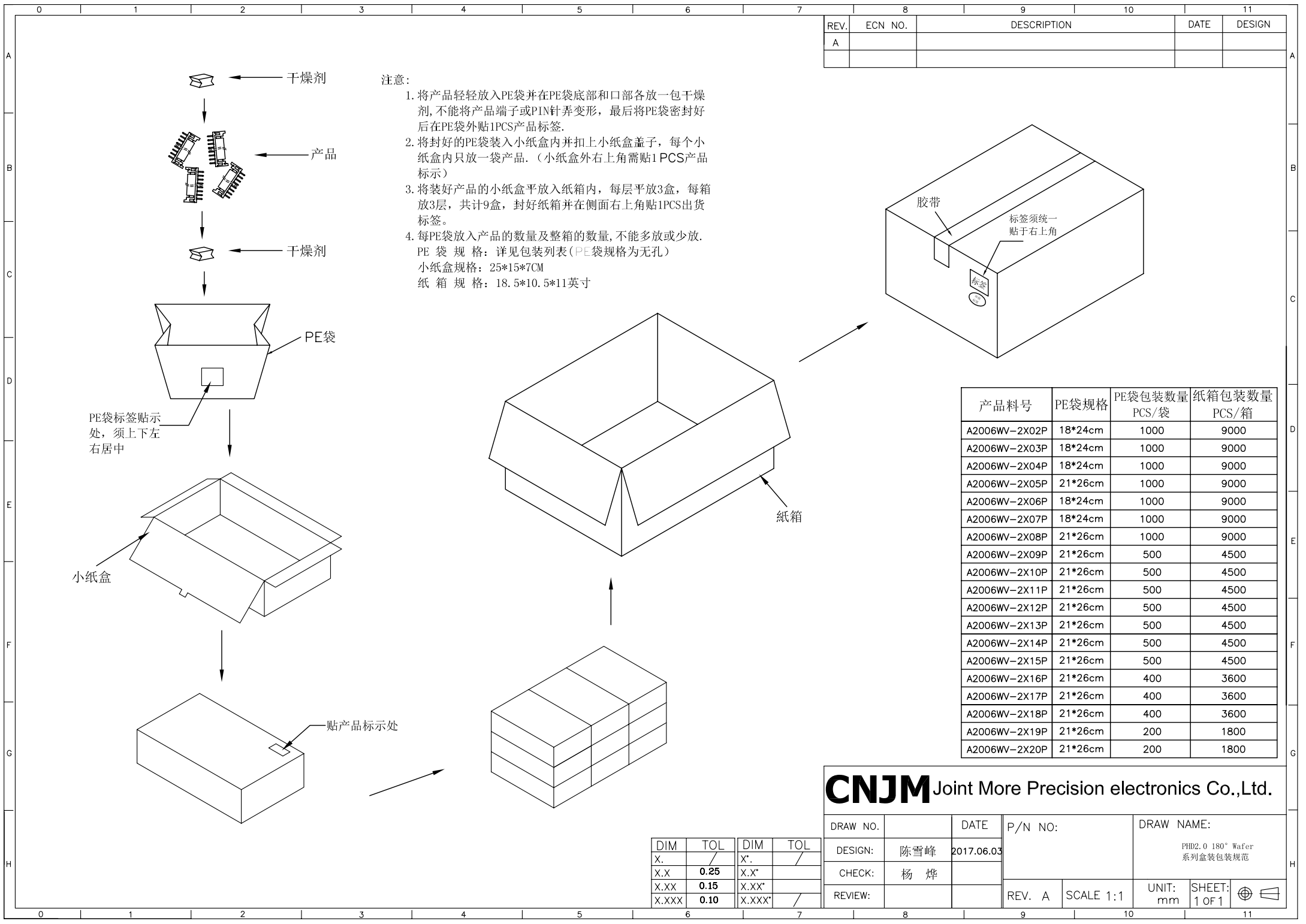
产品料号	PE袋规格	PE袋包装数量 PCS/袋	纸箱包装数量 PCS/箱
A2006WR-2X02P	18*24cm	1000	9000
A2006WR-2X03P	18*24cm	1000	9000
A2006WR-2X04P	18*24cm	1000	9000
A2006WR-2X05P	21*26cm	1000	4500
A2006WR-2X06P	18*24cm	500	4500
A2006WR-2X07P	18*24cm	500	4500
A2006WR-2X08P	21*26cm	500	4500
A2006WR-2X09P	21*26cm	500	4500
A2006WR-2X10P	21*26cm	500	4500
A2006WR-2X11P	21*26cm	500	4500
A2006WR-2X12P	21*26cm	400	3600
A2006WR-2X13P	21*26cm	400	3600
A2006WR-2X14P	21*26cm	300	2700
A2006WR-2X15P	21*26cm	300	2700
A2006WR-2X16P	21*26cm	200	1800
A2006WR-2X17P	21*26cm	200	1800
A2006WR-2X18P	21*26cm	200	1350
A2006WR-2X19P	21*26cm	150	1350
A2006WR-2X20P	21*26cm	150	1350

CNJM Joint More Precision electronics Co.,Ltd.

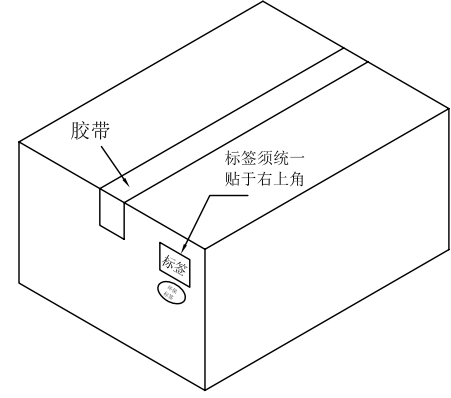
DRAW NO.	DATE	P/N NO:	DRAW NAME:
DESIGN: 陈雪峰	2017.2.9		PHD2.0 90° Wafer 系列盒装包装规范
CHECK: 杨焯			
REVIEW:		REV. A/1	SCALE 1:1
		UNIT: mm	SHEET: 1 of 1

DIM	TOL	DIM	TOL
X.	/	X'	/
X.X	0.25	X.X'	/
X.XX	0.15	X.XX'	/
X.XXX	0.10	X.XXX'	/

REV.	ECN NO.	DESCRIPTION	DATE	DESIGN
A				



- 注意:
1. 将产品轻轻放入PE袋并在PE袋底部和口部各放一包干燥剂, 不能将产品端子或PIN针弄变形, 最后将PE袋密封好后在PE袋外贴1PCS产品标签.
 2. 将封好的PE袋装入小纸盒内并扣上小纸盒盖子, 每个小纸盒内只放一袋产品. (小纸盒外右上角需贴1PCS产品标示)
 3. 将装好产品的小纸盒平放入纸箱内, 每层平放3盒, 每箱放3层, 共计9盒, 封好纸箱并在侧面右上角贴1PCS出货标签.
 4. 每PE袋放入产品的数量及整箱的数量, 不能多放或少放.
PE袋规格: 详见包装列表(PE袋规格为无孔)
小纸盒规格: 25*15*7CM
纸箱规格: 18.5*10.5*11英寸



产品料号	PE袋规格	PE袋包装数量 PCS/袋	纸箱包装数量 PCS/箱
A2006WV-2X02P	18*24cm	1000	9000
A2006WV-2X03P	18*24cm	1000	9000
A2006WV-2X04P	18*24cm	1000	9000
A2006WV-2X05P	21*26cm	1000	9000
A2006WV-2X06P	18*24cm	1000	9000
A2006WV-2X07P	18*24cm	1000	9000
A2006WV-2X08P	21*26cm	1000	9000
A2006WV-2X09P	21*26cm	500	4500
A2006WV-2X10P	21*26cm	500	4500
A2006WV-2X11P	21*26cm	500	4500
A2006WV-2X12P	21*26cm	500	4500
A2006WV-2X13P	21*26cm	500	4500
A2006WV-2X14P	21*26cm	500	4500
A2006WV-2X15P	21*26cm	500	4500
A2006WV-2X16P	21*26cm	400	3600
A2006WV-2X17P	21*26cm	400	3600
A2006WV-2X18P	21*26cm	400	3600
A2006WV-2X19P	21*26cm	200	1800
A2006WV-2X20P	21*26cm	200	1800

CNJM Joint More Precision electronics Co.,Ltd.

DRAW NO.	DATE	P/N NO:	DRAW NAME:
DESIGN: 陈雪峰	2017.06.03		PHD2.0 180° Wafer 系列盒装包装规范
CHECK: 杨焯		REV. A	SCALE 1:1
REVIEW:		UNIT: mm	SHEET: 1 of 1

DIM	TOL	DIM	TOL
X.	/	X'	/
X.X	0.25	X.X'	/
X.XX	0.15	X.XX'	/
X.XXX	0.10	X.XXX'	/