

NEW

PNP Series Sealed Pushbutton Switch



A
Pushbutton

Features/Benefits

- Snap-Action provides positive tactile feedback
- IP68 sealed to endure harsh environments
- 1,000,000 life cycle
- Up to 5A resistive load
- Multiple housing styles
- Various termination types and wirelead options are also available
- RoHS compliant

Typical Applications

- Control Grips
- Off-Road Panels
- Heavy Equipment
- Industrial Instruments
- Lifts
- Conveyor Controls



Specifications

FUNCTION: SPST, SPDT Double Break (Form Z) Momentary
 CONTACT ARRANGEMENT: N.O. and N.C.
 MOUNTING TYPE: Threaded front mount
 TORQUE SPEC FOR THREADED BODY: Do not exceed 10 in-lbs (1.35 N-m)

DIELECTRIC STRENGTH: 1000 V AC for 1 min.
 INSULATION RESISTANCE: 1 G Ω @ 500 VDC
 INITIAL CONTACT RESISTANCE 50 m Ω max (without wire leads)
 BOUNCE TIME: <5 ms

Mechanical

OPERATING LIFE: 1,000,000 cycles
 TOTAL TRAVEL: 2 mm max.
 OPERATING POINT 0.9 \pm 0.25 mm
 OVER TRAVEL: 0.25 mm min.
 OPERATING FORCE: 3N \pm 1.5N
 8N \pm 1.5N
 VIBRATION: 10-500 Hz 10g Max
 SHOCK: 50g 11ms sawtooth wave

Materials

HOUSING: PBT/PC
 BASE: PBT
 CAP: PBT
 ACTUATOR: PBT
 INTERNAL SEAL: Silicone rubber
 TERMINALS: Copper with silver nickel inlay, silver plating
 MOVABLE CONTACT: Copper alloy, gold over silver plating
 TERMINAL SEAL: Epoxy

Electrical

CONTACT RATING:
 Option "Q" Silver
 5A/32 VDC resistive (25,000 cycles)
 3A/32 VDC resistive (25,000 cycles)
 Option "G" Gold over Silver
 10mA/5 VDC resistive (1,000,000 cycles)

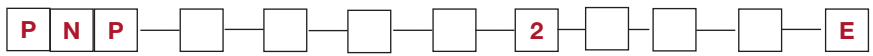
Operating Environment

OPERATING TEMPERATURE: -40°C to +85°C
 ESD PROTECTION: 15KV min.
 SEALING: IP68

NOTE: Specifications and materials listed above are for switches with standard options. For information on specific and custom switches, please contact Customer Service.

Build-A-Switch

To order, simply select desired option from each category and place in the appropriate box.



Designation
PNP PNP Series

Operating Force
3 3 Newtons
8 8 Newtons

Actuator Style
S Standard
E Extended (D housing style only)
N None

Actuator Color *
0 No Cap
1 White
2 Black (STD)
3 Red
4 Orange
5 Yellow
6 Green
7 Blue
9 Gray

Housing Style
T Standard threaded mount
D Dome bezel

Housing Color
2 Black (STD)

Terminal Seal
E Epoxy
 All models are epoxy sealed

Contact Material
Q Silver (STD)
G Gold over silver

Termination
02 PC Pin (G contact material only)
03 Solder Lug (STD)
W2 2 x 12" 22 AWG UL1569 wire (overmolded)
W3 3 x 12" 22 AWG UL1569 wire (overmolded)
W4 4 x 12" 22 AWG UL1569 wire (overmolded)

Circuit
C SPDT - Double Break
W SPST NC - Double Break
Y SPST NO - Double Break

* Additional colors available, please contact Customer Service



Dimensions are shown: mm (inches)
 Specifications and dimensions subject to change



4 May 20

NEW

PNP Series Sealed Pushbutton Switch

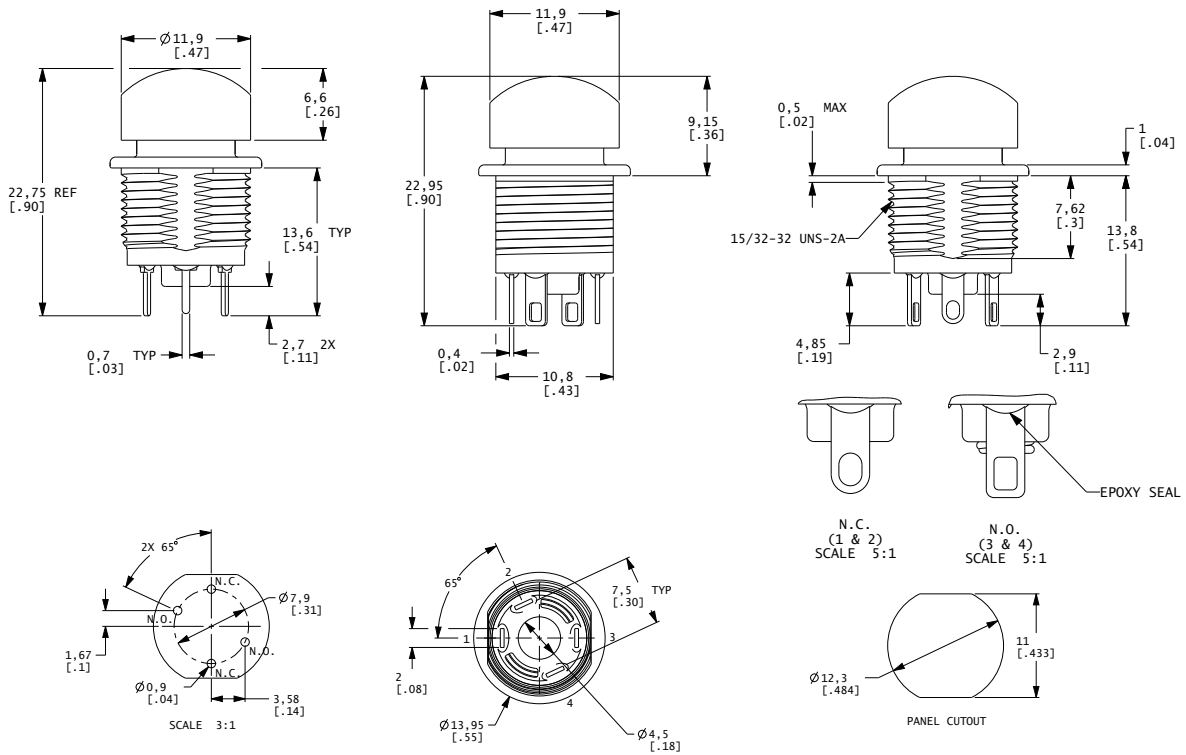


A

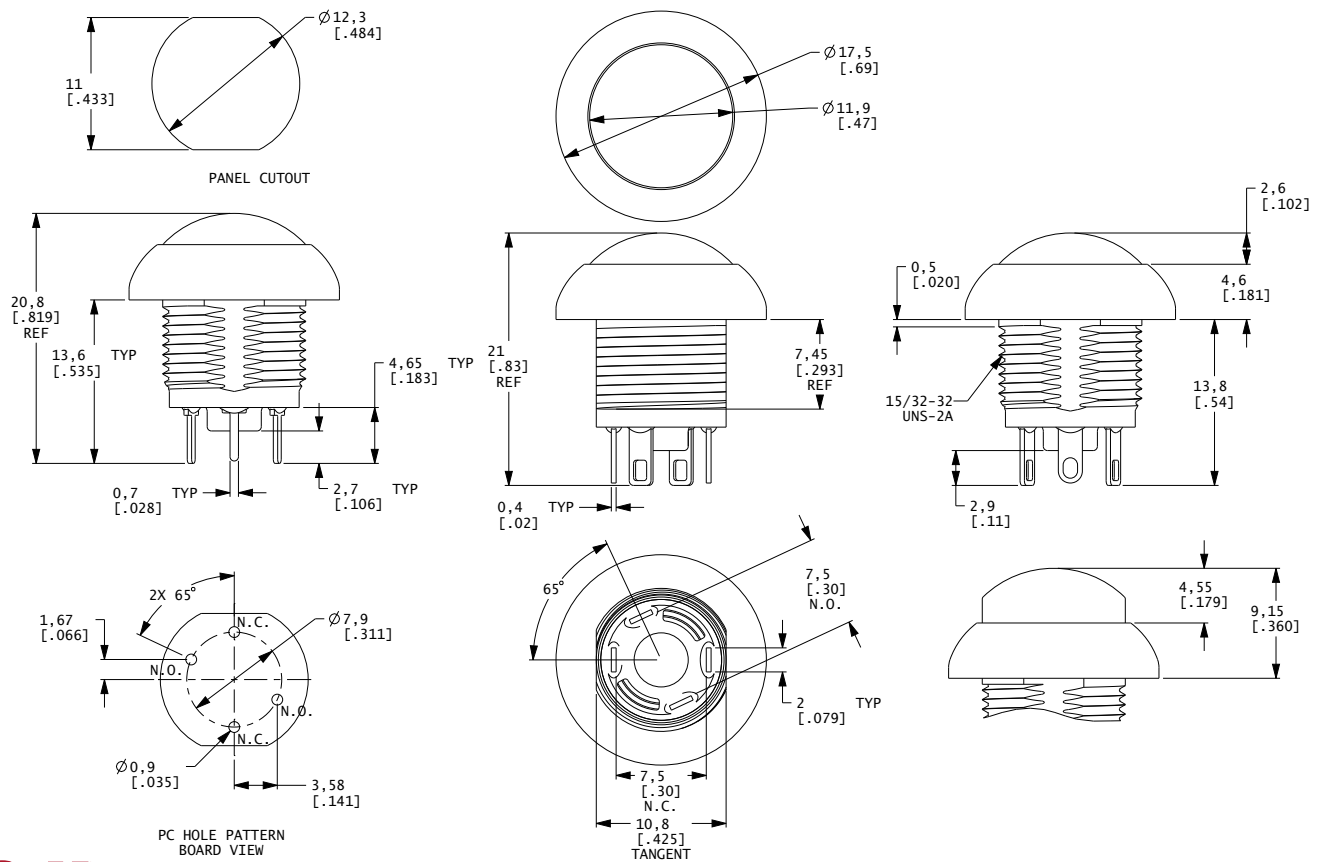
Pushbutton

HOUSING STYLE

T STANDARD THREADED MOUNT



D DOME BEZEL



4 May 20

Dimensions are shown: mm (inches)
Specifications and dimensions subject to change



PNP Series Sealed Pushbutton Switch

NEW

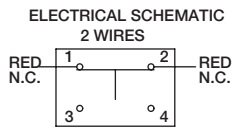
Pushbutton
A

HOUSING COLOR

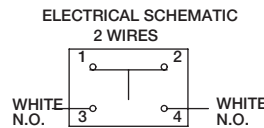
OPTION CODE	COLOR
2	Black (STD)

CIRCUIT

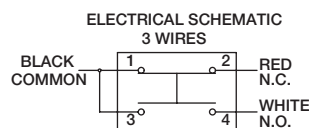
W SPST NC - Double Break



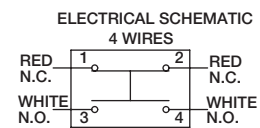
Y SPST NO - Double Break



C SPDT - Double Break

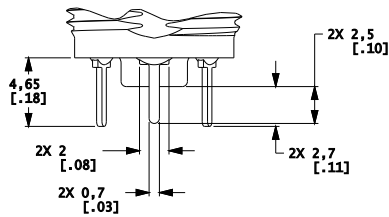


C SPDT - Double Break

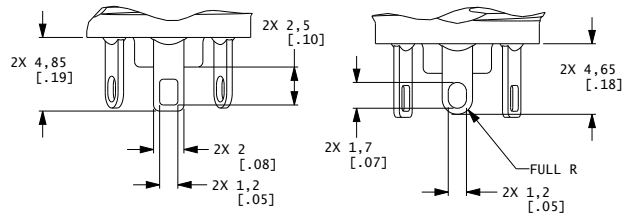


TERMINATION

02 PC PIN



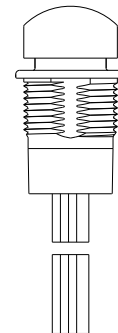
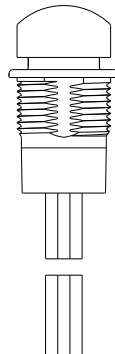
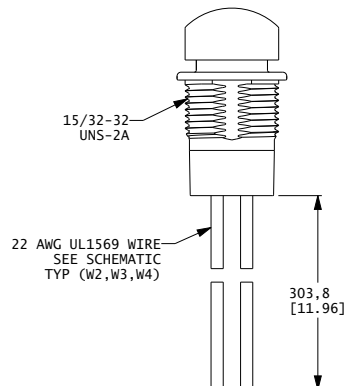
03 SOLDER LUG (STD)



W2 2 x 12" 22 AWG UL1569 wire (overmolded)

W3 3 x 12" 22 AWG UL1569 wire (overmolded)

W4 4 x 12" 22 AWG UL1569 wire (overmolded)



NEW

PNP Series Sealed Pushbutton Switch



A
Pushbutton

CONTACT MATERIAL

OPTION CODE	CONTACT MATERIAL
Q	Silver (STD)
G	Gold over silver

TERMINAL SEAL

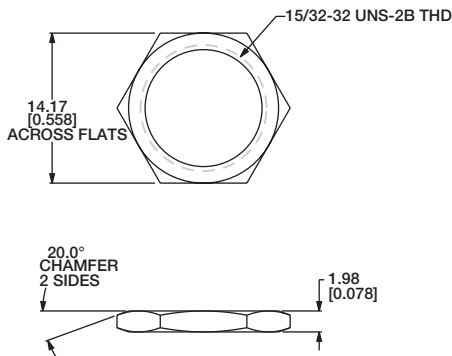
E EPOXY

All models are epoxy sealed

HARDWARE

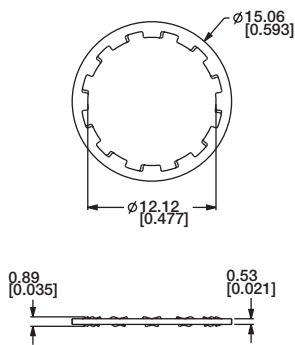
HEX NUT

707100201 Nickel-plated



LOCKWASHER

700302202



PANEL GASKET

851D02000

