

SPECIFICATIONS

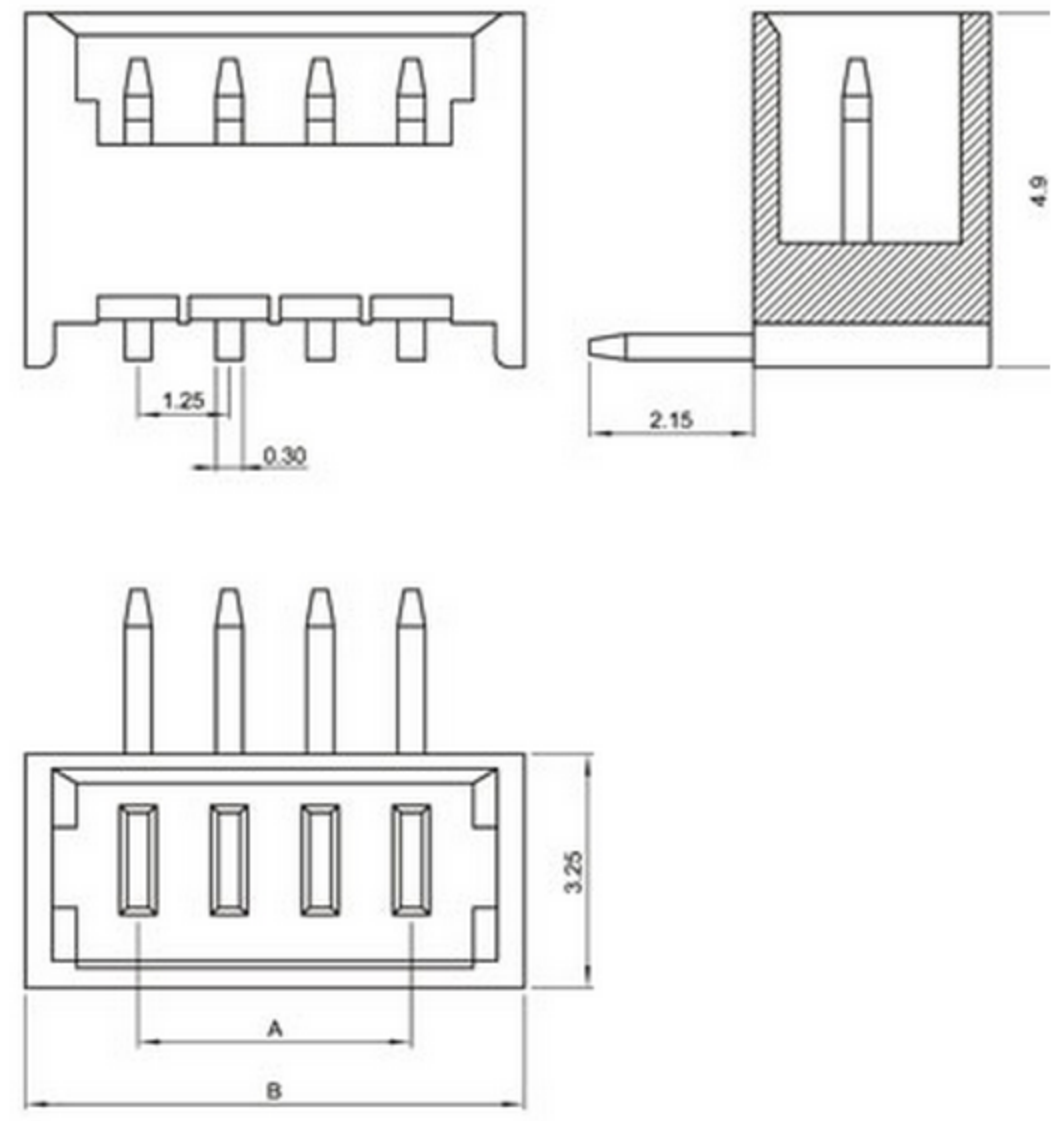
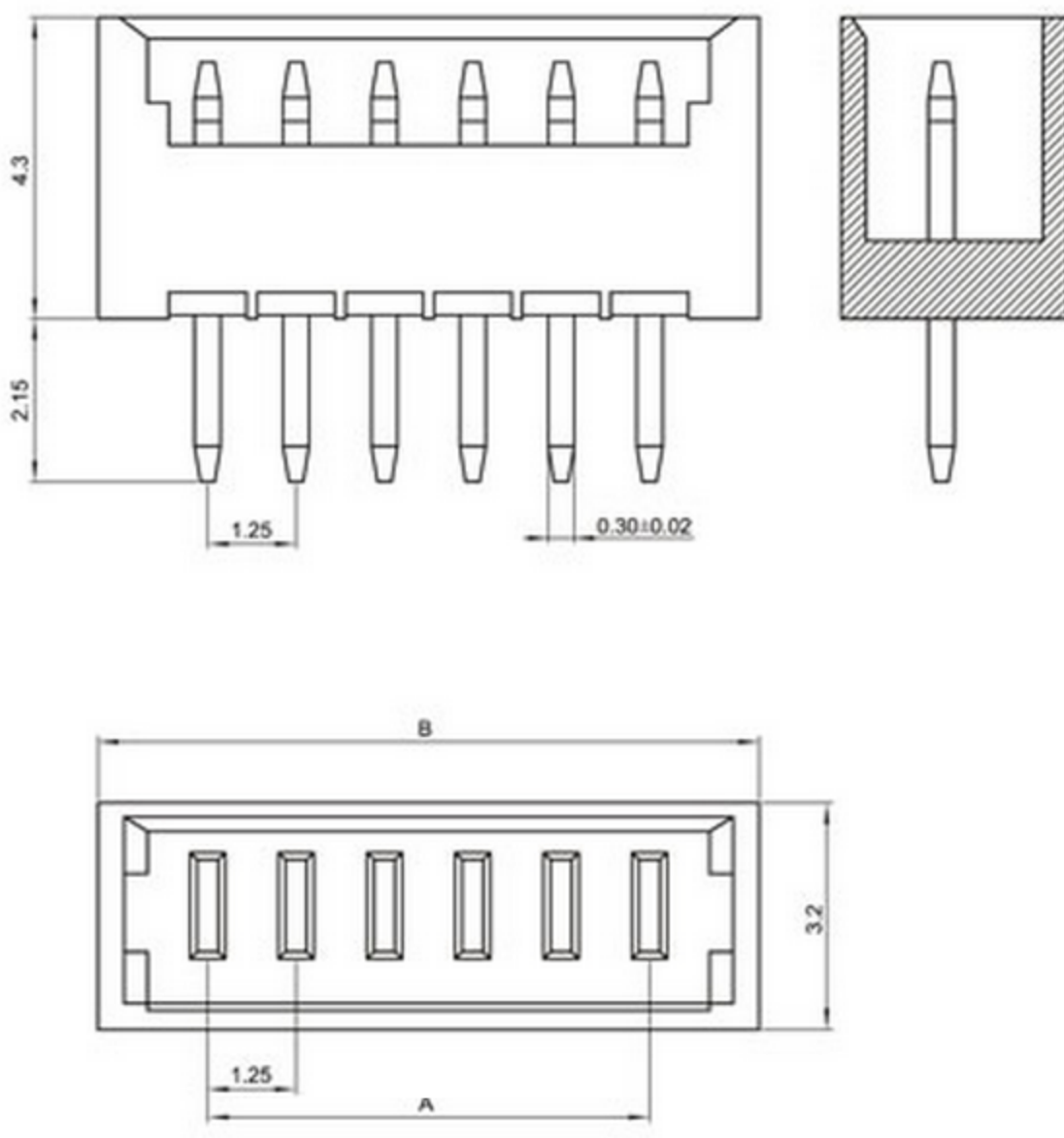
Unit:mm

- ◇ Poles: 2~16
- ◇ Applicable wire: AWG#28-#22
- ◇ Voltage rating: 125V DC/AC
- ◇ Current rating: 1.0A
- ◇ Withstand voltage: 500V AC
- ◇ Working Temperature: -25°C ~ +85°C
- ◇ Insulation resistance: $\geq 1000M\Omega$
- ◇ Contact resistance: $\leq 0.02\Omega$
- ◇ Applicable PC board thickness: 0.6~1.2mm

UL:Recognized No.E309635
RoHS-specification and Halogen-free products

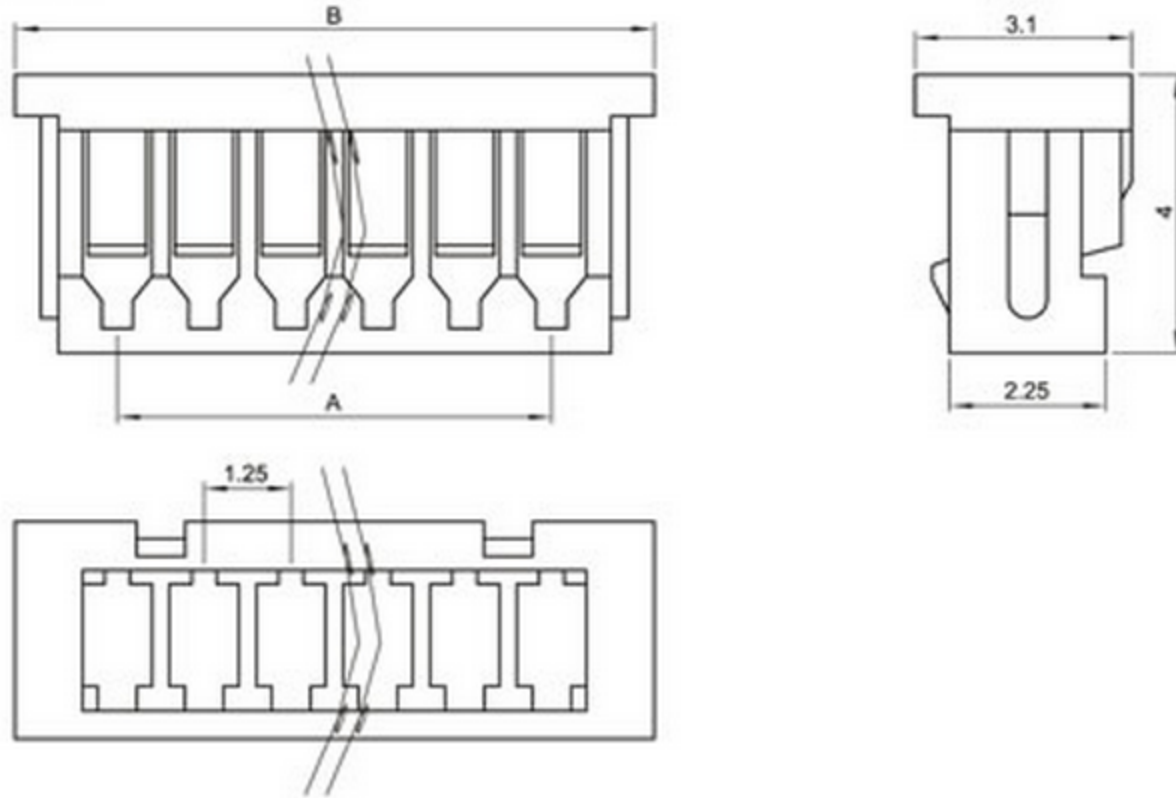
立式

卧式



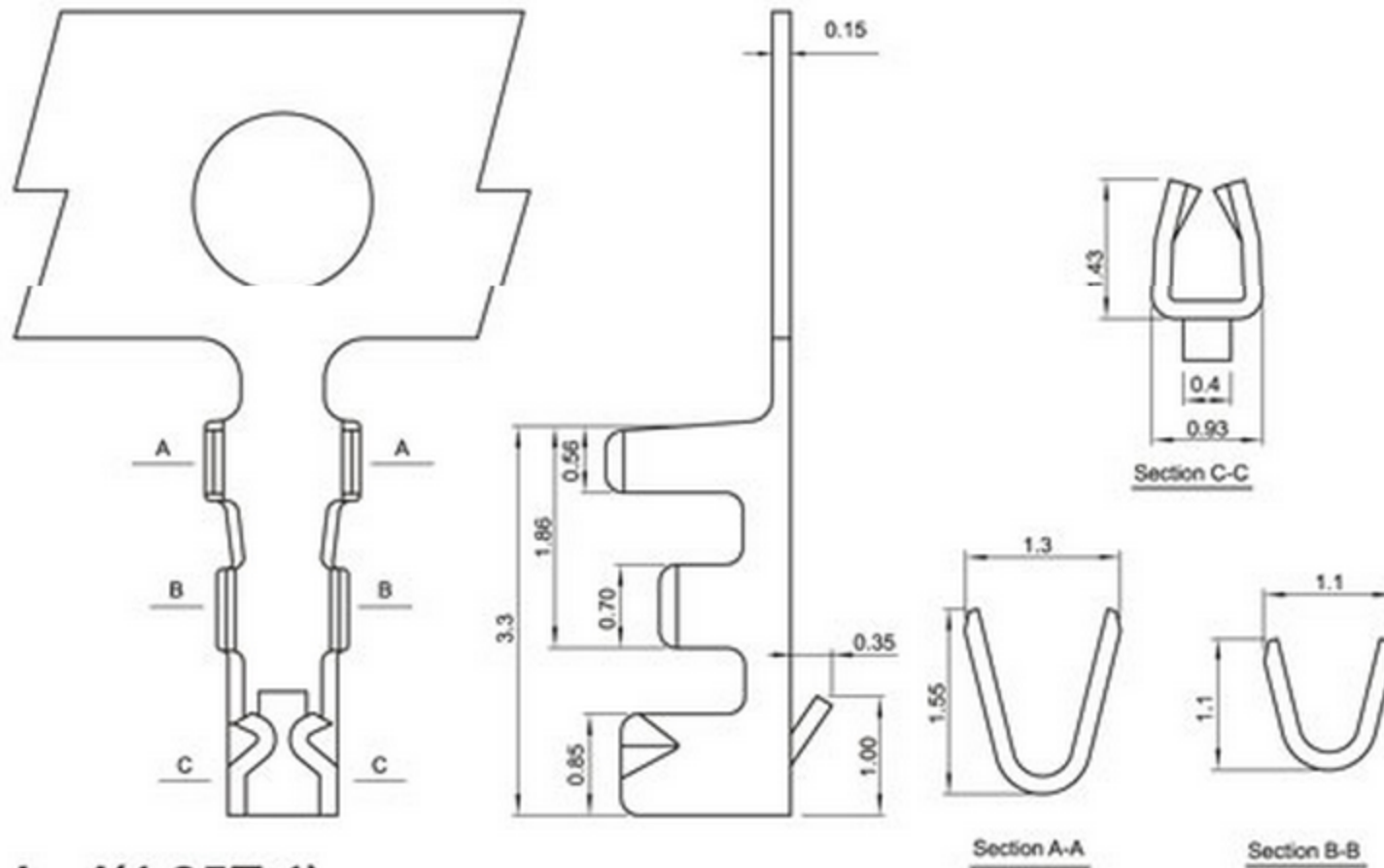
1.25T-1-nY

Unit:mm



1.25T-1-PT

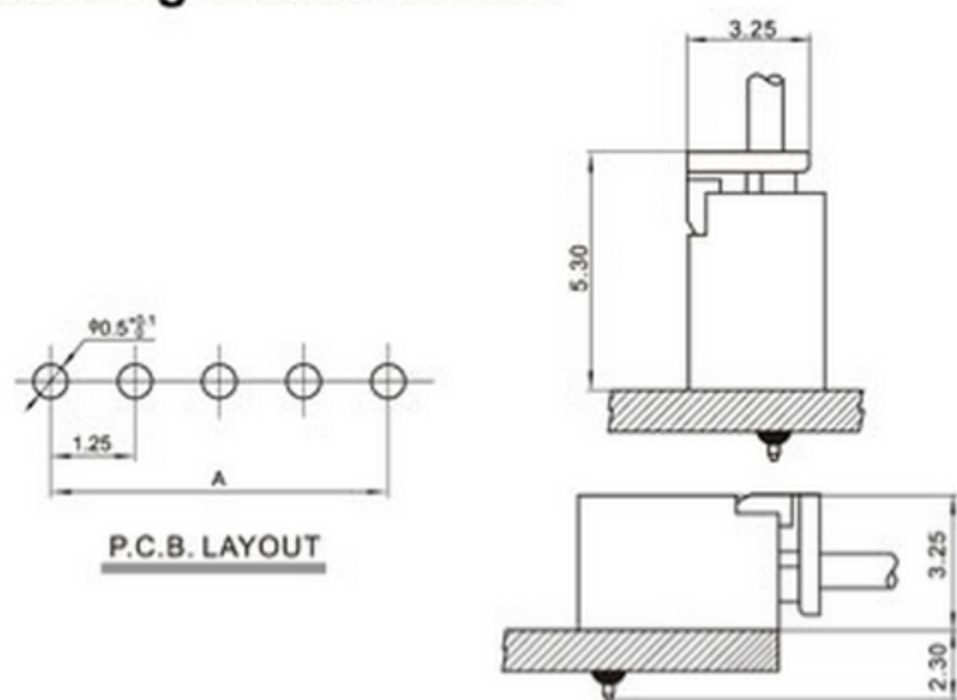
端子



Terminal(1.25T-1)

Type	Applicable wires		O.D of wires mm	Material	Finish
	mm ²	AWG#			
1.25T-1	0.8~0.3	32~28	0.8mm(max)	Phos.bronze	Tin-plated

Mounting Measurement



Poles	Type	Size(mm)	
		A	B
2	1.25T-1-2A	1.25	4.45
3	1.25T-1-3A	2.50	5.70
4	1.25T-1-4A	3.75	6.95
5	1.25T-1-5A	5.00	8.20
6	1.25T-1-6A	6.25	9.45
7	1.25T-1-7A	7.50	10.70
8	1.25T-1-8A	8.75	11.95
9	1.25T-1-9A	10.00	13.20
10	1.25T-1-10A	11.25	14.45
11	1.25T-1-11A	12.50	15.70
12	1.25T-1-12A	13.75	16.95
13	1.25T-1-13A	15.00	18.20
14	1.25T-1-14A	16.25	19.45
15	1.25T-1-15A	17.50	20.70
16	1.25T-1-16A	18.75	21.95

Poles	Type	Size(mm)	
		A	B
2	1.25T-1-2Y	1.25	4.2
3	1.25T-1-3Y	2.50	5.45
4	1.25T-1-4Y	3.75	6.7
5	1.25T-1-5Y	5.00	7.95
6	1.25T-1-6Y	6.25	9.2
7	1.25T-1-7Y	7.50	10.45
8	1.25T-1-8Y	8.75	11.7
9	1.25T-1-9Y	10.00	12.95
10	1.25T-1-10Y	11.25	14.2
11	1.25T-1-11Y	12.50	15.45
12	1.25T-1-12Y	13.75	16.7
13	1.25T-1-13Y	15.00	17.95
14	1.25T-1-14Y	16.25	19.2
15	1.25T-1-15Y	17.50	20.45
16	1.25T-1-16Y	18.75	21.7