



Low-Power Digital Potentiometers

MAX5160/MAX5161

General Description

The MAX5160/MAX5161 linear-taper digital potentiometers perform the same function as a mechanical potentiometer or a variable resistor. They consist of a fixed resistor and a wiper contact with 32 tap points that are digitally controlled by three lines for the 8-pin MAX5160 or by two lines for the 6-pin MAX5161.

These parts are ideal for applications requiring digitally controlled resistors. Three resistance values are available for each part type: 50k Ω , 100k Ω , and 200k Ω . A nominal resistor temperature coefficient of 50ppm/ $^{\circ}$ C end-to-end and only 5ppm/ $^{\circ}$ C ratiometric makes the MAX5160 ideal for applications requiring a low-temperature-coefficient variable resistor, such as low-tempco, adjustable-gain circuit configurations.

The MAX5160 is available in an 8-pin μ MAX package, and the MAX5161 is available in a 6-pin SOT23 package. Both devices are guaranteed over the extended industrial temperature range (-40 $^{\circ}$ C to +85 $^{\circ}$ C).

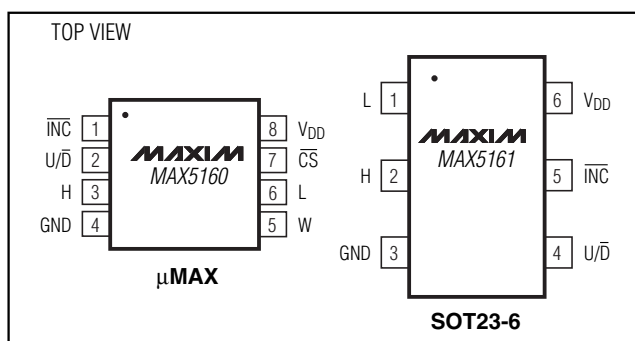
Applications

LCD Screen Adjustment
Volume Control
Mechanical Potentiometer Replacement

Selector Guide

PART	TOP MARK	R (k Ω)
MAX5160NEUA	—	200
MAX5160MEUA	—	100
MAX5160LEUA	—	50
MAX5161NEZT	AAAC	200
MAX5161MEZT	AAAB	100
MAX5161LEZT	AAAA	50

Pin Configurations



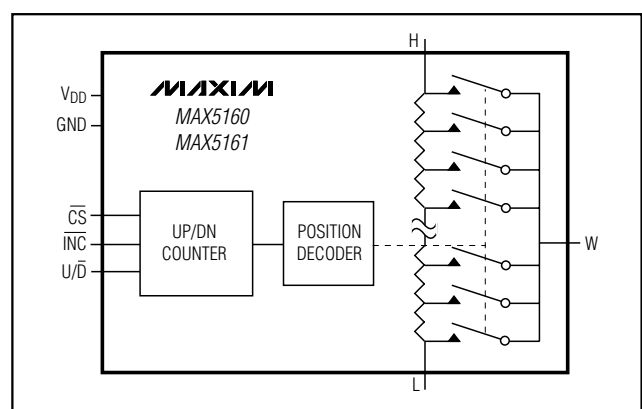
Features

- ◆ 32 Tap Positions
- ◆ 50k Ω , 100k Ω , and 200k Ω Resistance Values
- ◆ 400 Ω Wiper Resistance
- ◆ \pm 25% Resistance Tolerance
- ◆ 3-Wire Serial Data Input
- ◆ \pm 1LSB DNL
- ◆ \pm 0.5LSB INL
- ◆ 100nA Supply Current
- ◆ +2.7V to +5.5V Single-Supply Operation
- ◆ Power-On Reset: Wiper Goes to Midscale (position 16)
- ◆ \pm 2kV ESD Protection
- ◆ Small-Footprint Packages
 - 6-Pin SOT23 (MAX5161)
 - 8-Pin μ MAX (MAX5160)
- ◆ Glitchless Switching Between the Resistor Taps

Ordering Information

PART	TEMP. RANGE	PIN-PACKAGE	R (k Ω)
MAX5160NEUA	-40 $^{\circ}$ C to +85 $^{\circ}$ C	8 μ MAX	200
MAX5160MEUA	-40 $^{\circ}$ C to +85 $^{\circ}$ C	8 μ MAX	100
MAX5160LEUA	-40 $^{\circ}$ C to +85 $^{\circ}$ C	8 μ MAX	50
MAX5161NEZT	-40 $^{\circ}$ C to +85 $^{\circ}$ C	6 SOT23	200
MAX5161MEZT	-40 $^{\circ}$ C to +85 $^{\circ}$ C	6 SOT23	100
MAX5161LEZT	-40 $^{\circ}$ C to +85 $^{\circ}$ C	6 SOT23	50

Functional Diagram



Low-Power Digital Potentiometers

ABSOLUTE MAXIMUM RATINGS

V _{DD} to GND	-0.3V to +6V	Continuous Power Dissipation (T _A = +70°C)
CS, $\overline{\text{INC}}$, U/ $\overline{\text{D}}$ to GND	-0.3V to +6V	6-Pin SOT23 (derate 6.25mW/°C above +70°C).....
H, L, W to GND	-0.3V to (V _{DD} + 0.3V)	8-Pin μ MAX (derate 4.1mW/°C above +70°C).....
Input and Output Latchup Immunity	\pm 200mA	Operating Temperature Range
Maximum Continuous Current into H, L, and W		Storage Temperature Range
MAX516__E_.....	\pm 1mA	Lead Temperature (soldering, 10s)

Stresses beyond those listed under "Absolute Maximum Ratings" may cause permanent damage to the device. These are stress ratings only, and functional operation of the device at these or any other conditions beyond those indicated in the operational sections of the specifications is not implied. Exposure to absolute maximum rating conditions for extended periods may affect device reliability.

ELECTRICAL CHARACTERISTICS

(V_{DD} = +2.7V to +5.5V, V_H = V_{DD}, V_L = 0, T_A = T_{MIN} to T_{MAX}. Typical values are at V_{DD} = +5V, T_A = +25°C, unless otherwise noted.)

PARAMETER	SYMBOL	CONDITIONS	MIN	TYP	MAX	UNITS
DC PERFORMANCE						
Resolution				3		%
Integral Nonlinearity (Note 1)	INL				\pm 1/2	LSB
Differential Nonlinearity (Note 1)	DNL				\pm 1	LSB
End-to-End Resistor Tempco	TC _R			50		ppm/°C
Ratiometric Resistor Tempco				5		ppm/°C
Full-Scale Error					-0.1	LSB
Zero-Scale Error					+0.1	LSB
Wiper Resistance	R _W			400	1700	Ω
Wiper Capacitance	C _W			10		pF
End-to-End Resistance	HL	MAX516_NE__	150	200	250	k Ω
		MAX516_ME__	75	100	125	
		MAX516_LE__	37.5	50	62.5	
DIGITAL INPUTS						
Input High Voltage	V _{IH}		0.7 × V _{DD}			V
Input Low Voltage	V _{IL}			0.3 × V _{DD}		V
Input Leakage Current					\pm 1	μ A
Input Capacitance				5		pF
TIMING CHARACTERISTICS (Figure 6)						
$\overline{\text{CS}}$ to $\overline{\text{INC}}$ Setup Time	t _{CI}		25			ns
$\overline{\text{CS}}$ to $\overline{\text{INC}}$ Hold Time	t _{IC}		0			ns
$\overline{\text{INC}}$ Low Period	t _{IL}		25			ns
$\overline{\text{INC}}$ High Period	t _{IH}		25			ns
U/ $\overline{\text{D}}$ to $\overline{\text{INC}}$ Hold	t _{ID}		0			ns
U/ $\overline{\text{D}}$ to $\overline{\text{INC}}$ Setup	t _{DI}		50			ns
Wiper-Settling Time	t _{IW}			1		μ s
$\overline{\text{INC}}$ Frequency	f _{IMAX}				7	MHz
POWER SUPPLIES						
Supply Voltage	V _{DD}		2.7		5.5	V
Supply Current	I _{DD}	$\overline{\text{CS}} = \overline{\text{INC}} = \text{U}/\overline{\text{D}} = \text{V}_{\text{DD}}$ or GND	V _{DD} = +5V	0.6	10	μ A
			V _{DD} = +2.7V	135		nA

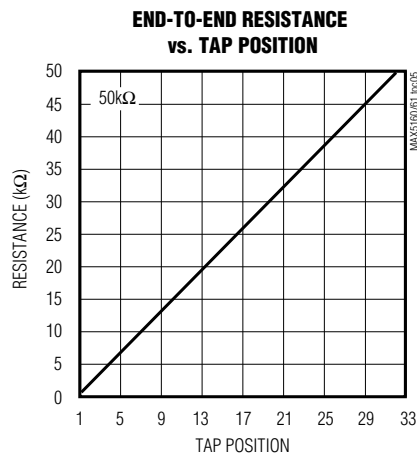
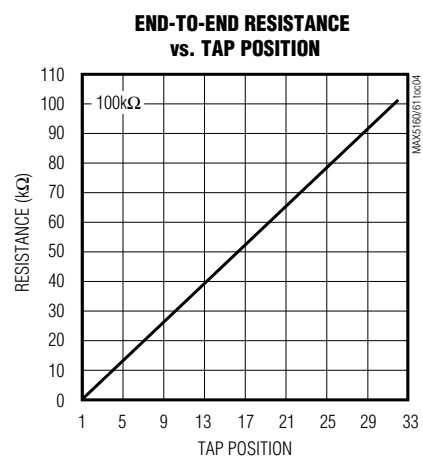
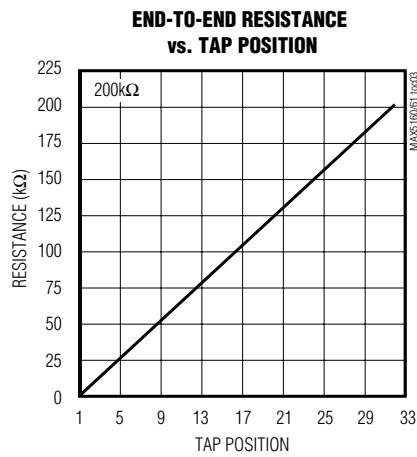
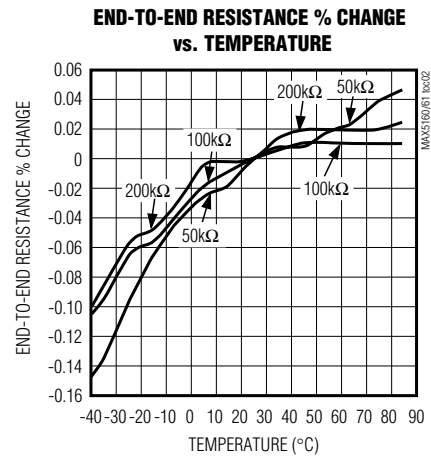
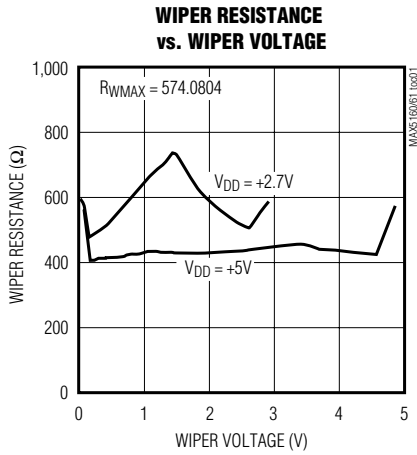
Note 1: For the MAX5160, linearity is defined in terms of H to L code-dependent resistance.

Low-Power Digital Potentiometers

Typical Operating Characteristics

($V_{DD} = +5V$, $T_A = +25^\circ C$, unless otherwise noted.)

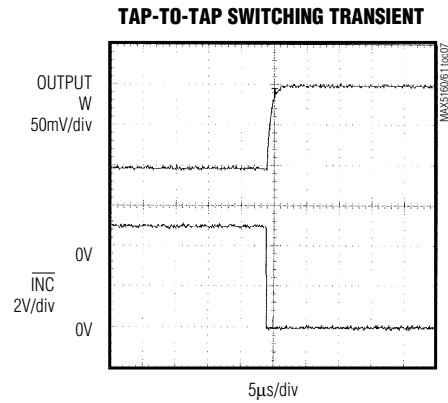
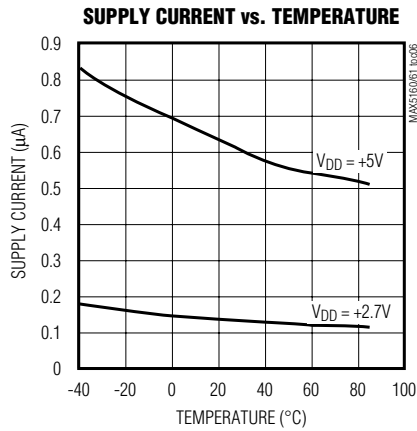
MAX5160/MAX5161



Low-Power Digital Potentiometers

Typical Operating Characteristics (continued)

($V_{DD} = +5V$, $T_A = +25^\circ C$, unless otherwise noted.)



Pin Description

PIN		NAME	FUNCTION
MAX5160	MAX5161		
1	5	\overline{INC}	Wiper Increment Control Input. With \overline{CS} low, a high-to-low transition increments (U/\overline{D} high) or decrements (U/\overline{D} low) the wiper position.
2	4	U/\overline{D}	Up/Down Control Input. With \overline{CS} low, a high-to-low \overline{INC} transition increments (U/\overline{D} high) or decrements (U/\overline{D} low) the wiper position.
3	2	H	High Terminal of Resistor
4	3	GND	Ground
5	—	W	Wiper Terminal of Resistor
6	1	L	Low Terminal of Resistor
7	—	\overline{CS}	Chip-Select Input. Drive low to change the wiper position through \overline{INC} and U/\overline{D} .
8	6	V_{DD}	Power Supply

Low-Power Digital Potentiometers

Detailed Description

The MAX5160/MAX5161 consist of resistor arrays with thirty-one resistive elements. Thirty-two tap points are accessible to the wiper along the resistor string between H and L. Logic inputs \overline{CS} , U/D , and \overline{INC} determine the position of the wiper. With \overline{CS} low and U/D high, a high-to-low transition on \overline{INC} increments the internal counter, increasing the resistance between W and L. When both \overline{CS} and U/D are low, a high-to-low \overline{INC} transition decrements the internal counter, decreasing the resistance between W and L. At either end (maximum or minimum positions), additional transitions in the direction of the end points will not change the counter value (the counter will not wrap around).

The H and L terminals of the MAX5160 are similar to the two end terminals of a mechanical potentiometer. The tap W is equivalent to the variable tap (wiper) of the potentiometer.

The MAX5161 is similar to the MAX5160 except that \overline{CS} internally connects to ground and the wiper terminal (W) is shorted to the high terminal (H). The MAX5161 acts as

a variable resistor (a potentiometer with the wiper and one end terminal shorted together).

The MAX5160/MAX5161 feature power-on reset circuitry that sets the wiper position to midscale at power-up.

Applications Information

The MAX5160/MAX5161 are intended for circuits requiring digitally controlled adjustable voltage or adjustable gain, such as LCD contrast control, where voltage biasing adjusts the display contrast.

Controlling a Switch-Mode LCD Bias Generator

Figure 1 shows an application where the MAX5161 is used with a MAX1771 to make an adjustable positive LCD-bias circuit. The output of the MAX1771 is a positive voltage that is digitally controlled through the MAX5160/MAX5161. Similarly, Figure 2 shows the application of the MAX5161 in a digitally controlled negative LCD-bias circuit along with the MAX774/MAX775/MAX776.

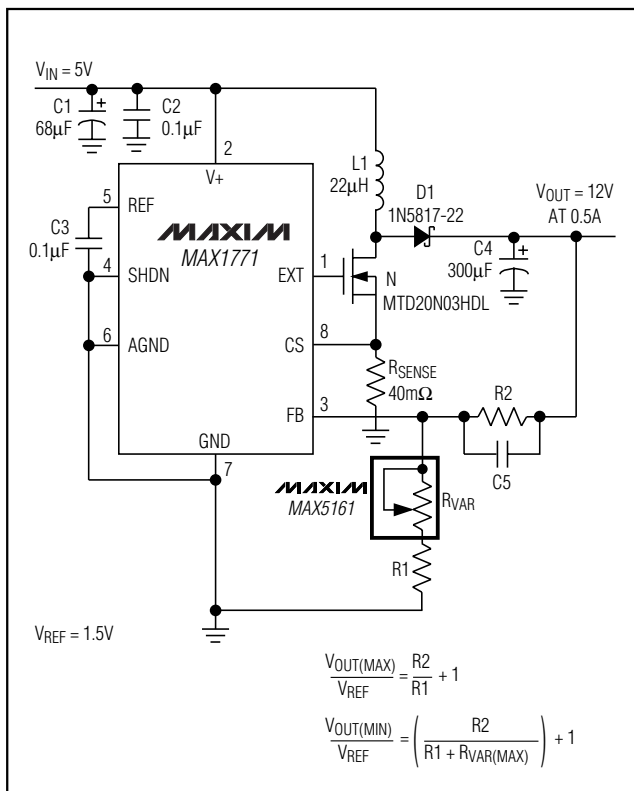


Figure 1. Adjustable Positive LCD Bias

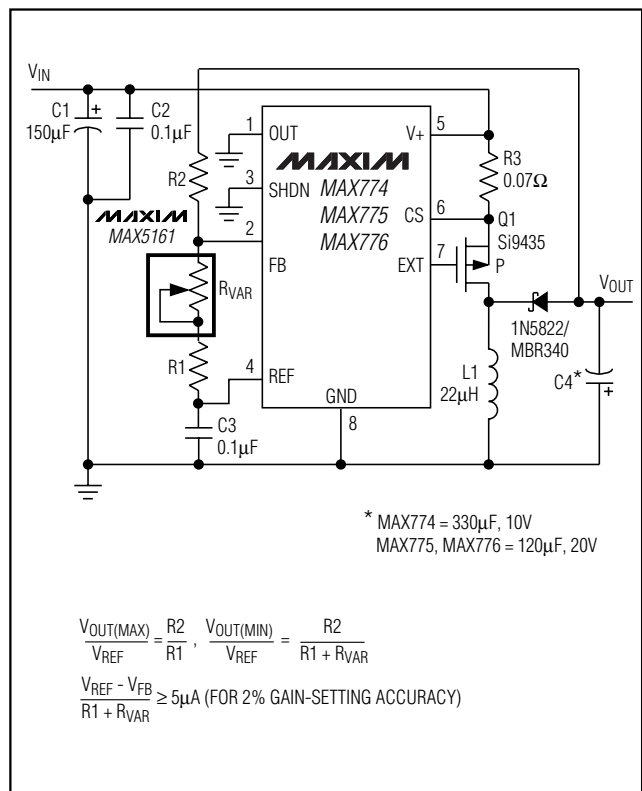


Figure 2. Adjustable Negative LCD Bias

Low-Power Digital Potentiometers

Alternative Positive LCD Bias Control

Alternatively, use an op amp to provide buffering and gain to the output of the MAX5160/MAX5161. Connect the MAX5160 to the positive input of a noninverting op amp (Figure 3) to select a portion of the input signal by digitally controlling the wiper terminal. Figure 4 shows a similar circuit for the MAX5161.

Adjustable Gain

Figure 5 shows how to use the MAX5161 to digitally adjust the gain of a noninverting op amp configuration. Connect the MAX5161 in series with a resistor to ground to form the adjustable gain control of a noninverting amplifier. The MAX5160/MAX5161 have a low 5ppm/°C ratiometric tempco that allows for a very stable adjustable gain configuration over temperature.

Serial Interface

Figure 6 is the serial-interface timing diagram.

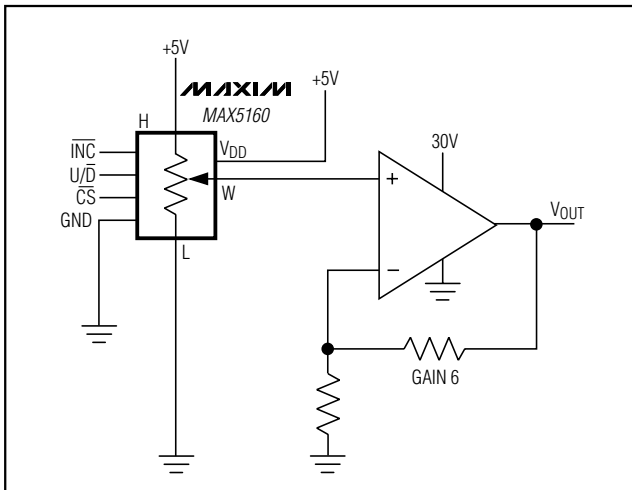


Figure 3. MAX5160 Positive LCD Bias Control

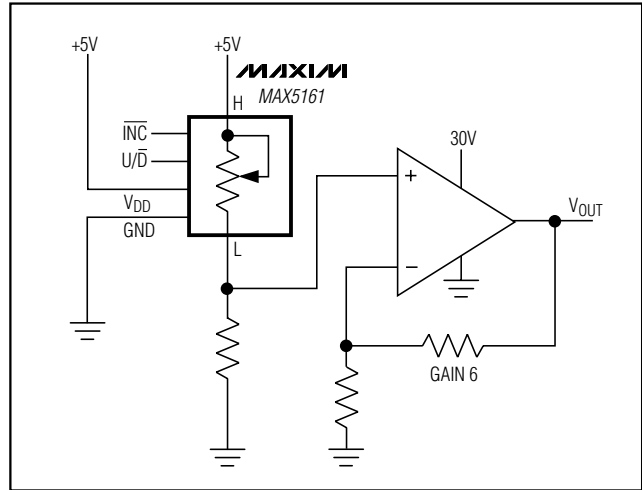


Figure 4. MAX5161 Positive LCD Bias Control

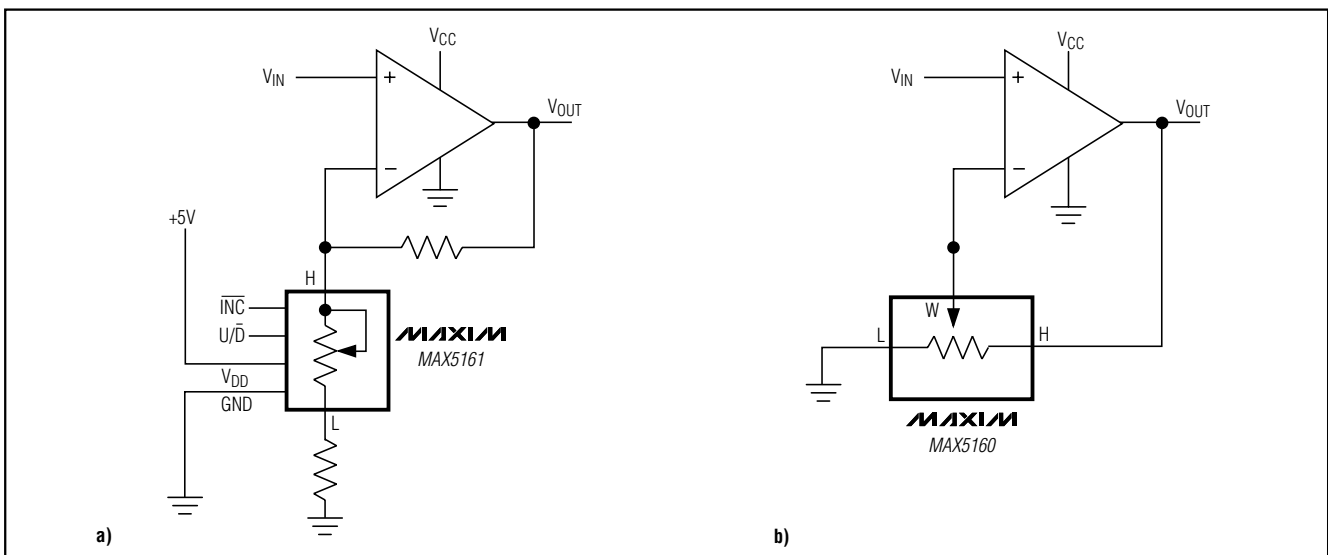


Figure 5. Adjustable Gain Circuit: a) MAX5161; b) MAX5160

Low-Power Digital Potentiometers

MAX5160/MAX5161

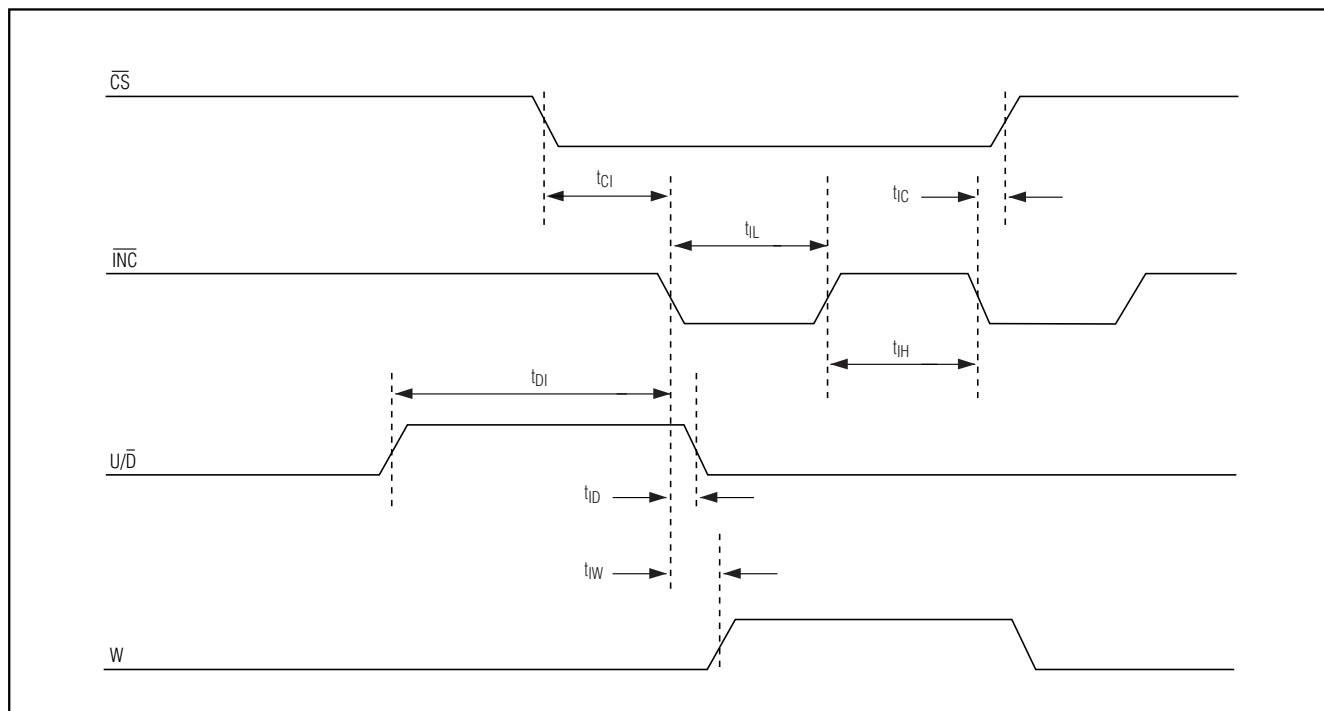


Figure 6. Serial-Interface Timing Diagram

Truth Table

\overline{CS}	U/\overline{D}	\overline{INC}	R_w
H	xx-X	X	O
L	L	↑	O
L	H	↑	O
L	L	↓	—
L	H	↓	+

X = Don't care
 O = Previous state
 + = Increment
 — = Decrement
 ↓ = High-to-Low Transition
 ↑ = Low-to-High Transition

Chip Information

TRANSISTOR COUNT: 969

Low-Power Digital Potentiometers

Package Information

	INCHES		MILLIMETERS		JEDEC			
	MIN	MAX	MIN	MAX	MIN	MAX	MIN	MAX
A	0.037	0.043	0.94	1.10	---	0.043	---	1.10
A1	0.002	0.006	0.05	0.15	0.002	0.006	0.05	0.15
B	0.010	0.014	0.25	0.36	0.010	0.016	0.25	0.40
C	0.005	0.007	0.13	0.18	0.005	0.009	0.13	0.23
D	0.116	0.120	2.95	3.05	0.114	0.122	2.9	3.1
e	0.0256	BSC	0.65	BSC	0.0256	BSC	0.64	BSC
E	0.116	0.120	2.95	3.05	0.114	0.122	2.9	3.1
H	0.188	0.198	4.78	5.03	0.193	BSC	4.9	BSC
L	0.016	0.026	0.41	0.66	0.016	0.027	0.40	0.70
α	0°	6°	0°	6°	0°	6°	0°	6°
S	0.0207	BSC	0.5250	BSC				

NOTES:
 1. D&E DO NOT INCLUDE MOLD FLASH.
 2. MOLD FLASH OR PROTRUSIONS NOT TO EXCEED 0.15MM (.006").
 3. CONTROLLING DIMENSION: MILLIMETERS.
 4. MEETS JEDEC MO-187.

8LUMAXD.EPS

PROPRIETARY INFORMATION
 TITLE:
 PACKAGE OUTLINE, 8L uMAX
 APPROVAL: _____ DOCUMENT CONTROL NO. 21-0036 REV I 1/1

