


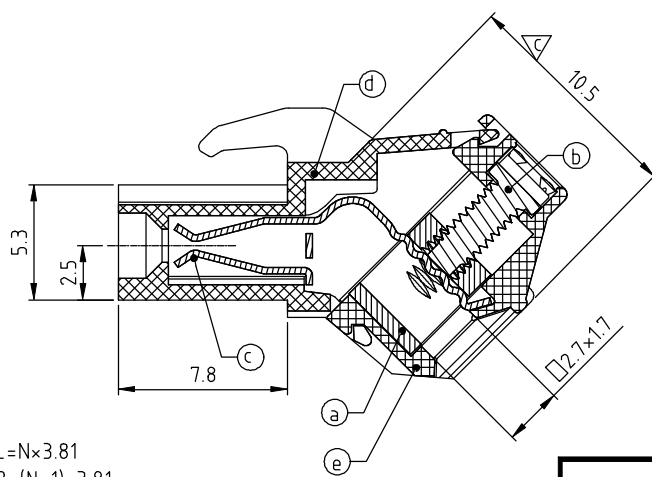
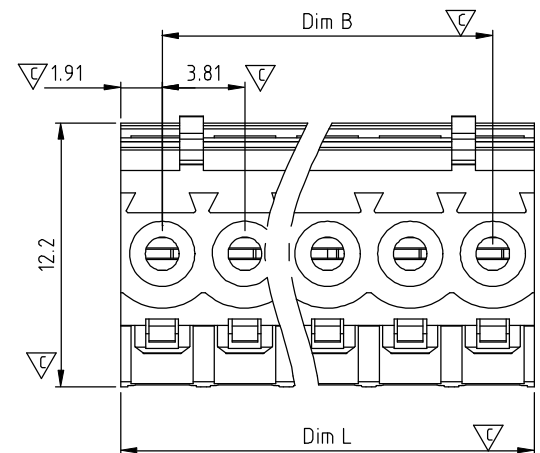
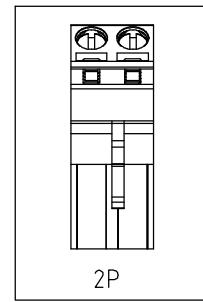
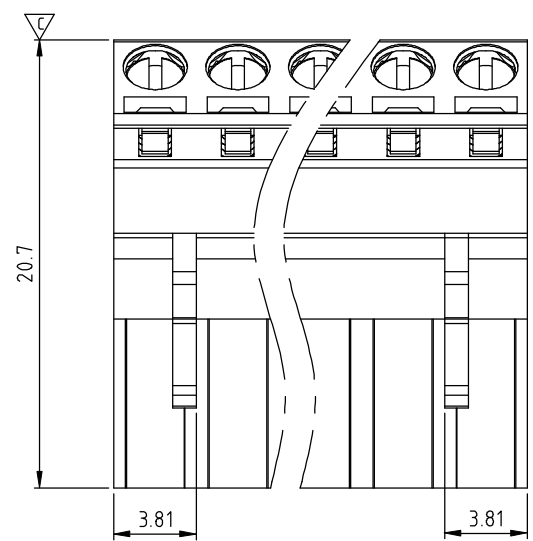
SIGN	DATE	DESCRIPTION	APPROVER
△	03/10 14	Added cULus standard	Chen Bo
THIS IS CAD DRAWING, DO NOT REVISE MANUALLY!!!			

**Material**

- Item (a) Clamp: Brass(CuZn) Ni plated
- Item (b) Terminal screw: Steel Zinc plating "-" slot type
- Item (c) Female contact: PhBz ,Tin plated
- Item (d) Terminal (up body): Thermoplastic (UL94V-0)
- Item (e) Terminal (down body): Thermoplastic (UL94V-0)

**Electrical cULus**

- Voltage rating: 300VAC
- Current rating: 8A
- Wire range:
- Solid wire(AWG): 16-28
- Stranded wire(AWG): 16-28
- Torque: 1.7 Lb-In
- Screw: M2
- Wire strip length: 8-9mm
- Withstanding Voltage: 1.6KV
- Operating temperature: -40°C to +115°C
- Safety Approval: 
- Critical dimension: ▽



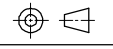
Dim L=N×3.81  
Dim B=(N-1)×3.81

N = Number of contacts

POLES	Dim L	Dim B
2p-6p	+0.10/-0.10	+0.10/-0.10
7p-12p	+0.10/-0.20	+0.20/-0.20
13p-18p	+0.10/-0.30	+0.30/-0.30
19p-24p	+0.10/-0.40	+0.40/-0.40

**K8 xx 31 x 0 xxxx G**

- Solid Block
- 02 2 CONTACTS
- 03 3 CONTACTS
- ... ..
- 24 24 CONTACTS
- 0 Black (RAL9005)
- 2 Red (RAL3001/D)
- 3 Orange(RAL2011/P)
- 4 Yellow(RAL1018/A)
- 5 Green(RAL6018/T)
- 6 Blue (RAL5015/A)
- 8 Grey(RAL7035/D)
- 9 White(RAL1102)
- C Green(RAL6018/U)
- G RoHS compliant (lead<4%) In copper Alloy
- 0000: "@" Logo
- 000A: "ANYTEK" Mark
- Any special item by customer request. please contact sales department.

<b>ANYTEK</b>				<b>CUSTOMER COPY</b>			
ALL RIGHTS RESERVED. REPRODUCTION OR ISSUE TO THIRD PARTIES IN ANY FORM WHATSOEVER IS NOT PERMITTED WITHOUT WRITTEN AUTHORITY FROM THE PROPRIETOR. PROPERTY OF ANYTEK TECHNOLOGY CO., LTD							
TITLE		K8-3.81 Series 2P-24P Without flange					
PART NO.		K8xx31x0xxxxG			DWG NO.		8K80001
APPROVED		CHECKED		DESIGNED		DRAWN	
		Chen Bo		Chen Bo			
		03/10`14		10/25`12			
				CUST NO.		Tolerance	
						UNIT: mm	
						SCALE: NONE	
						SHEET: 01/01	
				REV.: C		X. ±0.50 X.X ±0.30 X.XX ±0.10 X° ±1°	