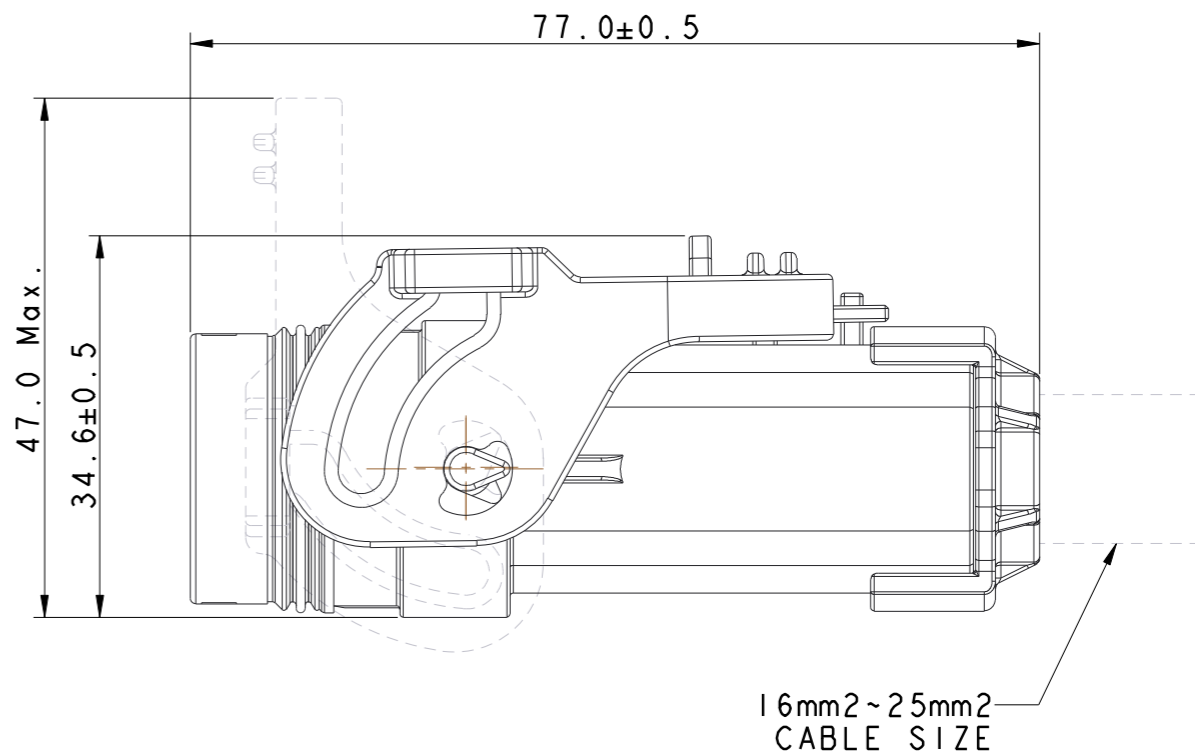
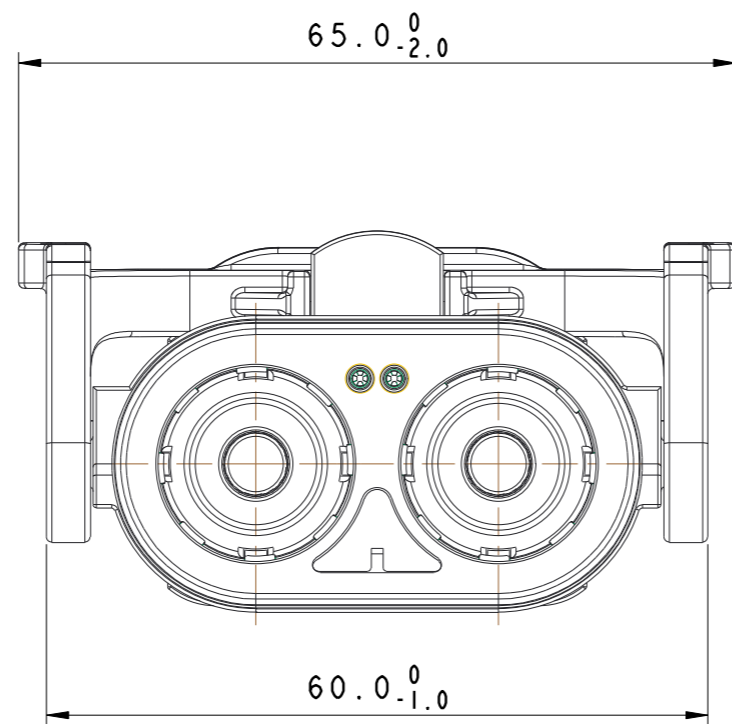
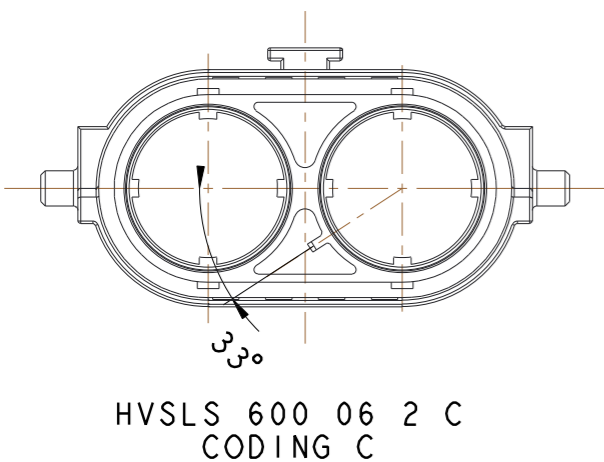
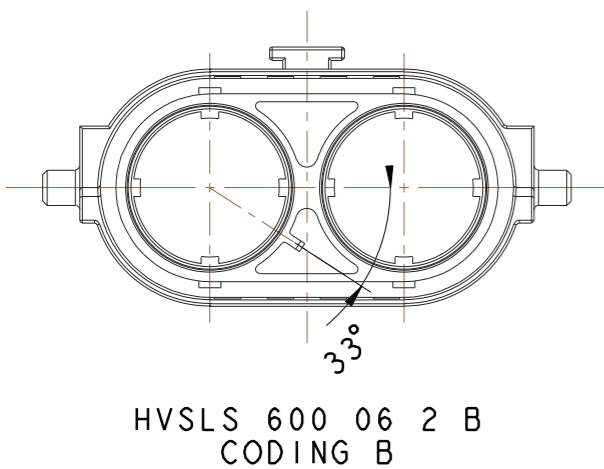
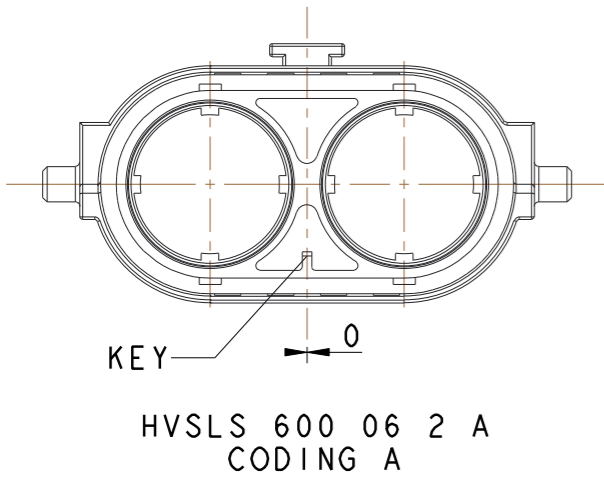


REV	ECN	DESCRIPTION	DATE	MODIFIED
A		PRE-RELEASE	2016.12.21	Robin Yuan

CUSTOMER DRAWING



HOW TO ORDER

HVSL5 600 06 2X X XX

A: CODING A
B: CODING B
C: CODING C

0: WITHOUT HVIL
1: WITH HVIL

25: CROSS-SECTION 25mm²
SHIELDED WIRE OD=11.9 ± 0.3mm

16: CROSS-SECTION 16mm²
SHIELDED WIRE OD=11.2 ± 0.25mm

25N: CROSS-SECTION 25mm²
UNSHIELDED WIRE OD=9.7 ± 0.3mm

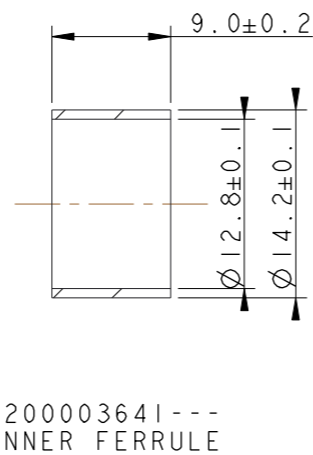
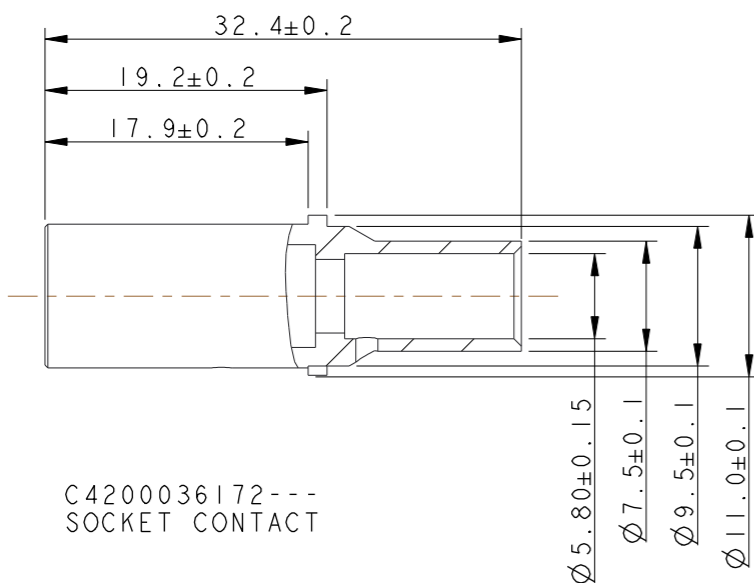
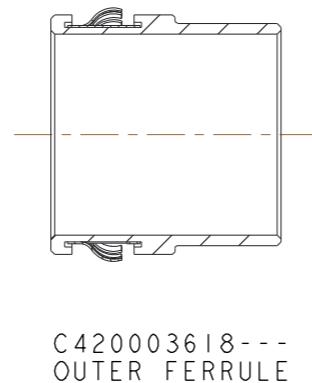
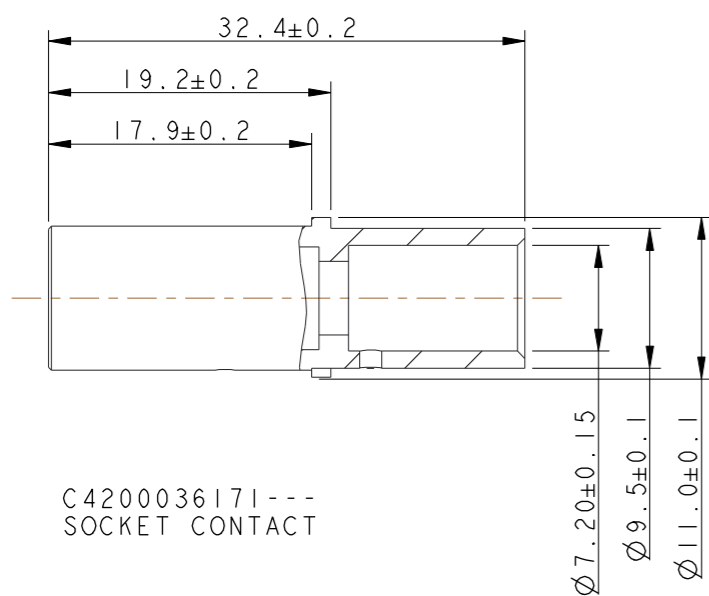
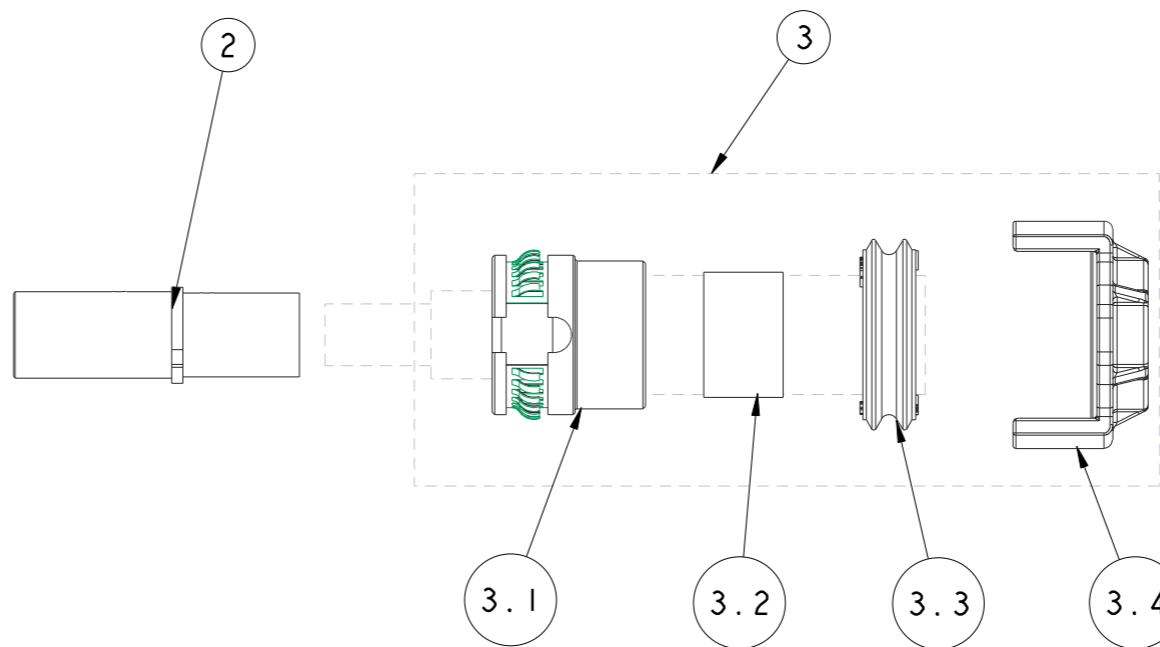
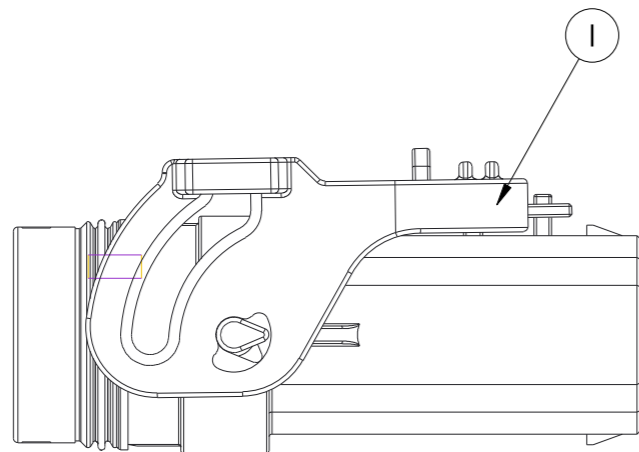
NOTES:

- ELECTRONICAL CHARACTERISTICS:
HIGH VOLTAGE RATED 1000 V DC MAX.
CURRENT RATED 120 A MAX.
WITHSTANDING VOLTAGE 3000 V AC
PRODUCTS ARE COMPLIANCE WITH EN 60664-1
POLLUTION II
- ENVIRONMENT CHARACTERISTICS:
IP67 IP6K9K RATED (WHEN MATING)
IP2XB RATED FOR FINGER TOUCH-PROOF

C-HVSL5600062XXXX

C-HVSL5600062XXXX

DIMENSIONS ANSI Y14.5M UNITS: MM Pro/E FILE	TOLERANCES .X ±0.3 .XX ±0.10 ANGLES ±0.5°	PROJECTION 	TITLE HVSL5 600 06 2 X X XX STRAIGHT PLUG ASSEMBLY		
			Amphenol Pcd Shenzhen ENGR Robin Yuan 2016.12.21 CHKD APPD		SIZE A3
ORIGINAL NOT FOR CUSTOMER DISTRIBUTION	THIS DOCUMENT CONTAINS PROPRIETARY INFORMATION WHICH IS THE CONFIDENTIAL PROPERTY OF AMPHENOL PCD SHENZHEN		CODE: 58982	SCALE: 1:1	SHEET 1 OF 2



(3.4)	C2200036953	25mm2 UNSHIELDED CABLE END CAP	2	BLACK
(3.4)	C2200036952	16mm2 SHIELDED CABLE END CAP	2	BLACK
3.4	C2200036951	25mm2 SHIELDED CABLE END CAP	2	BLACK
(3.3)	C2700036493	25mm2 UNSHIELDED CABLE SEAL	2	RED
(3.3)	C2700036492	16mm2 SHIELDED CABLE SEAL	2	RED
3.3	C2700036491	25mm2 SHIELDED CABLE SEAL	2	RED
3.2	C200003641	16mm2 AND 25mm2 OUTER FERRULE	2	SILVER
3.1	C420003618	16mm2 AND 25mm2 OUTER FERRULE	2	SILVER
(3)	C4220036053	25mm2 UNSHIELDED KIT SOCKET INSERT	2	
(3)	C4220036052	16mm2 KIT SOCKET INSERT	2	
3	C4220036051	25mm2 SHIELDED KIT SOCKET INSERT	2	
(2)	C4200036172	16mm2 SOCKET CONTACT ASSEMBLY (SHIELDED WIRE)	2	SILVER
2	C4200036171	25mm2 SOCKET CONTACT ASSEMBLY (SHIELDED AND UNSHIELDED WIRE)	2	SILVER
1	C422003604	LEVER ASSEMBLY	1	BLACK
ITEM	COMPONENT P/N	DESCRIPTION	Q'TY	COLOR

C-HVSL5600062XXXX

C-HVSL5600062XXXX

SIZE	DWG NO.	REV
A3	C-HVSL5600062XXXX	A
CODE: 58982	SCALE: 1:1	SHEET 2 OF 2