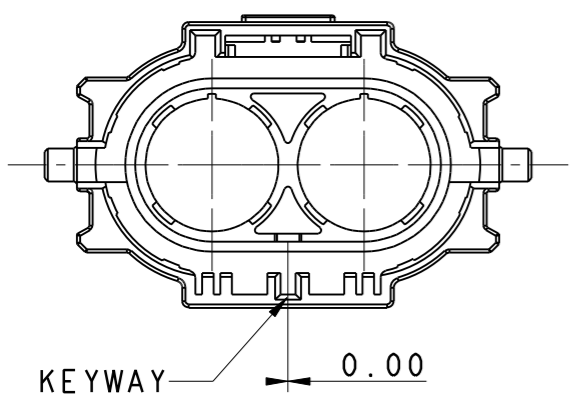
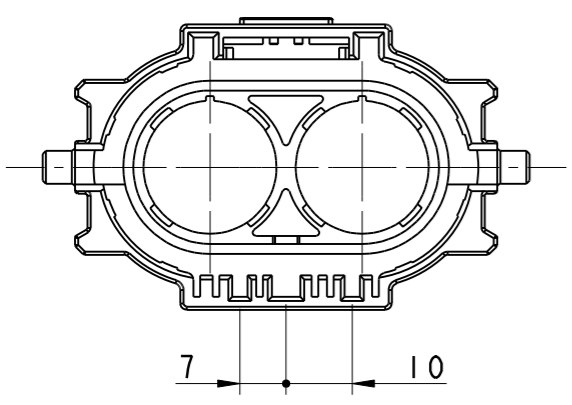
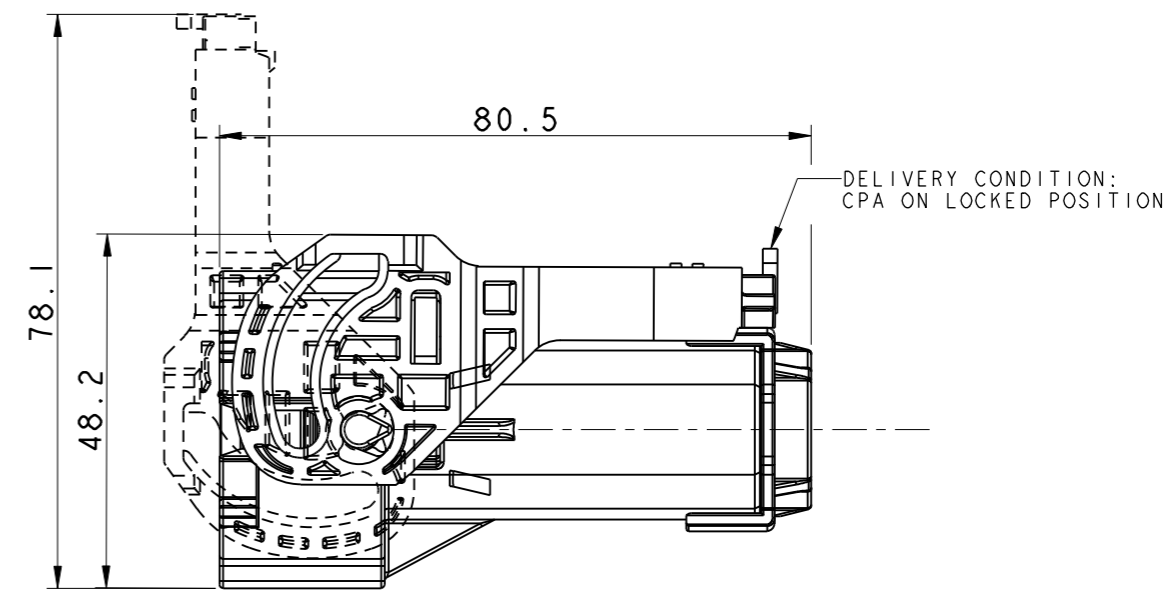
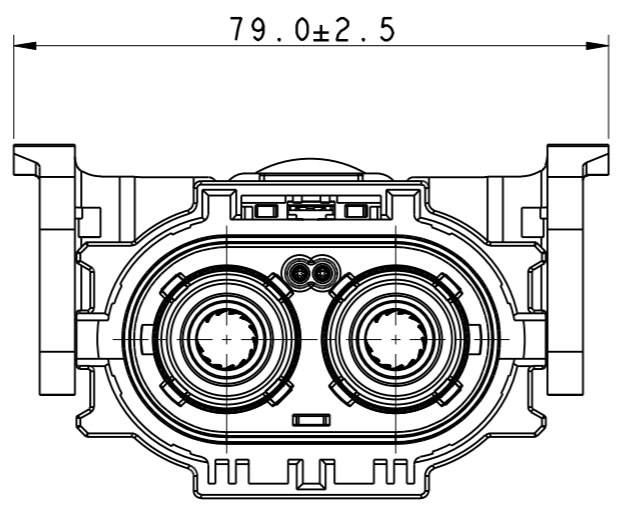


Amphenol PCDSZ  
ORIGINAL  
PDF Format  
R&D

REV	ECN	DESCRIPTION	DATE	MODIFIED
1		PRE-RELEASE	2017.4.26	Robin Yuan
2		CHNAGE DESCRIPTION	29/07/16	RY
3		CHANGE STRUCTURES	09/01/17	Celine.xie
4		INCREASE TEST SPECIFICATION	23/10/17	Celine.xie
5		ADD 25MM2 SPEC	19/12/17	Celine.xie
6		CHANGE DIMENSIONING	02/27/18	Celine.xie



HVSL800062AXXX  
CODING A



HVSL800062BXXX  
CODING B

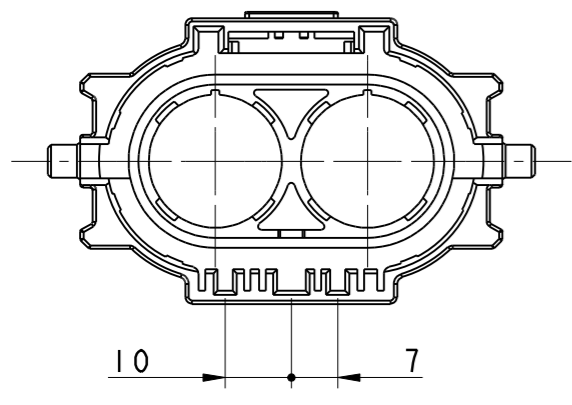
- NOTES:
- MATERIAL & FINISH:  
PLASTIC BODY: THERMOPLASTICS UL 94V-0 ORANGE COLOR  
POWER CONTACT: COPPER ALLOY SILVER PLATED
  - PART NUMBER DESCRIPTION:

HVSL 800 06 2 X X XX

- A: CODING A
- B: CODING B
- C: CODING C
- 0: WITHOUT HVIL
- 1: WITH HVIL
- 50: CROSS-SECTION 50mm<sup>2</sup>  
WIRE OD=16.5 ± 0.4mm
- 35: CROSS-SECTION 35mm<sup>2</sup>  
WIRE OD=14.2 ± 0.4mm
- 25: CROSS-SECTION 25mm<sup>2</sup>  
WIRE OD=11.9 ± 0.4mm

3. TECHNICAL DATA TABLE

TECHNICAL DATA		REMARK
CURRENT RATE (25~50MM <sup>2</sup> SHIELD CABLE)	25mm <sup>2</sup> : 120A 35mm <sup>2</sup> : 150A 50mm <sup>2</sup> : 180A	★
UL RATING VOLTAGE (OVERVOLTAGE CATEGORY II POLLUTION DEGREE 2)	1500V DC	★
OPERATING TEMPERATURE	-40~125°C	
DIELECTRIC WITH STANDING VOLTAGE	3000V AC	★
INSULATION RESISTANCE	2000MΩ MIN. 25°C, NO CABLE	★
DURABILITY	50 CYCLES	◎
SHIELDING	YES	◎
WATERPROOF (MATED CONDITION)	IP 67, IP6K9K	★
PROTECTION LEVEL	IP2XB	★
AMBIENT TEMPERATURE	-40~70°C	



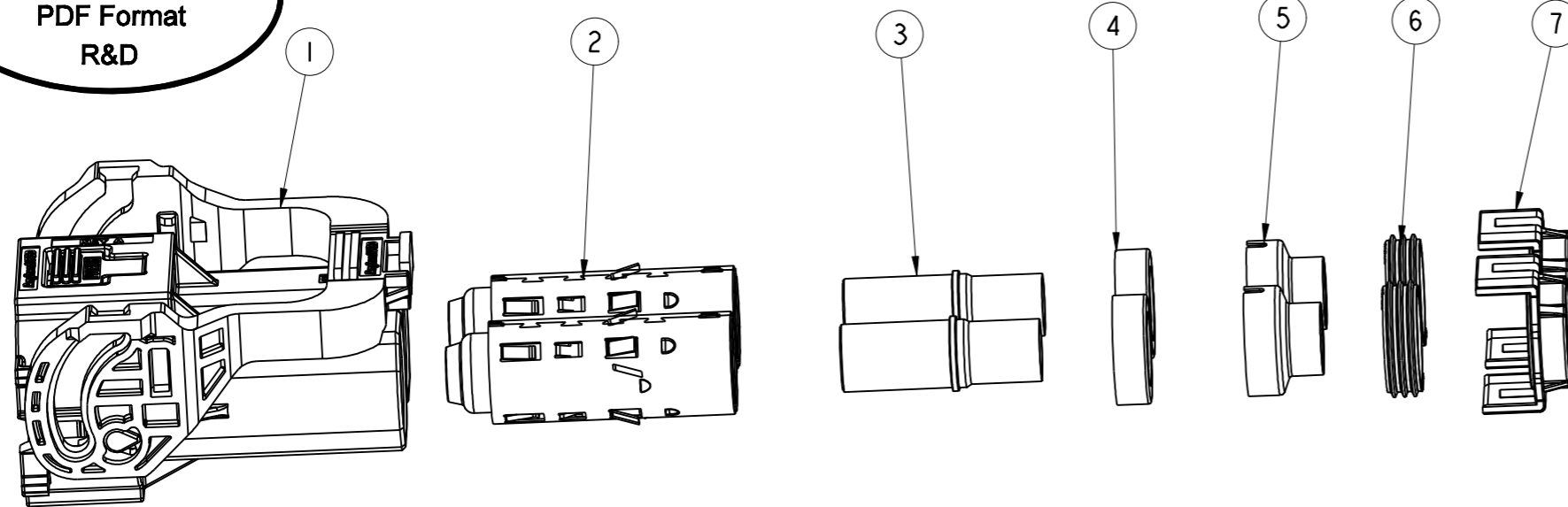
HVSL800062CXXX  
CODING C

<b>DIMENSIONS</b> ANSI Y14.5M UNITS: MM Pro/E FILE	<b>TOLERANCES</b> .X ±0.5 .XX ±0.05 ANGLES ±0.5°	<b>PROJECTION</b> 	Amphenol Pcd Shenzhen ENGR Robin Yuan 2017.04.28 CHKD APPD			TITLE <b>HVSL 800 06 2 X X XX PLUG ASSEMBLY</b>		
			ORIGINAL NOT FOR CUSTOMER DISTRIBUTION	THIS DOCUMENT CONTAINS PROPRIETARY INFORMATION WHICH IS THE CONFIDENTIAL PROPERTY OF AMPHENOL PCD SHENZHEN			SIZE <b>A3</b>	DWG NO. <b>C-HVSL800062XXXX</b>
		CODE: 58982		SCALE: 1:1		SHEET 1 OF 2		

C-HVSL800062XXXX

C-HVSL800062XXXX

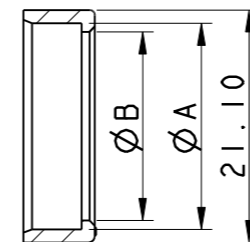
Amphenol PCDSZ  
ORIGINAL  
PDF Format  
R&D



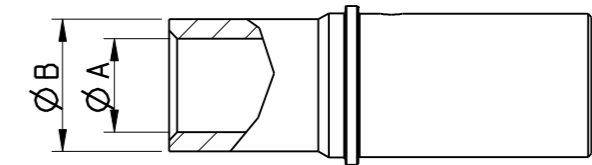
4. ASSEMBLY AND DETAIL BOM LIST SHOW

HVSL800062X1XX	7	C422003683X	2	END CAP
	6	C427003645X	2	SEAL
	5	C431003637X	2	OUT FERRULE
	4	C422005823X	2	BAFFLE
	3	C420003639X	2	SOCKRT CONTACT BODY
	2	C431XXXXXX	2	SHIELDING
	1	HVSL800062X1	1	MAIN BODY&HVIL

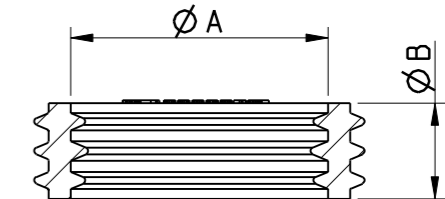
HVSL800062X0XX	7	C422003683X	2	END CAP
	6	C427003645X	2	SEAL
	5	C431003637X	2	OUT FERRULE
	4	C422005823X	2	BAFFLE
	3	C420003639X	2	SOCKRT CONTACT BODY
	2	C431XXXXXX	2	SHIELDING
	1	HVSL800062X0	1	MAIN BODY&NO HVIL
ITEM	P/N	Q'ty	DESCRIPTION	



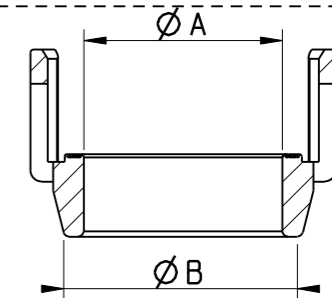
P/N	CABLE SIZE	$\phi A \pm 0.2$	$\phi B \pm 0.2$
C4310036371	50	18.7	17.1
C4310036372	35	16.2	14.6
C4310036373	25	14.4	13.4



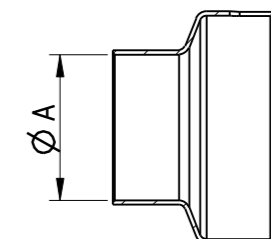
P/N	CABLE SIZE	$\phi A \pm 0.1$	$\phi B \pm 0.2$
C4200036391	50	10.30	14.0
C4200036392	35	8.5	12.0
C4200036393	25	7.2	9.5



P/N	CABLE SIZE	$\phi A \pm 0.2$	$\phi B \pm 0.2$
C4270036451	50	17.50	6.5
C4270036452	35	15.2	6.5
C4270036453	25	13.40	6.5



P/N	CABLE SIZE	$\phi A \pm 0.2$	$\phi B \pm 0.3$
C4220036831	50	18	21.5
C4220036832	35	15	18.5
C4220036833	25	13	16.5



P/N	CABLE SIZE	$\phi A \pm 0.2$
C4310036371	50	17.5
C4310036372	35	15.0
C4310036373	25	13.2

SIZE <b>A3</b>	DWG NO. <b>C-HVSL800062XXXX</b>	REV <b>6</b>
CODE: 58982	SCALE: 1:1	SHEET 2 OF 2

C-HVSL800062XXXX

C-HVSL800062XXXX