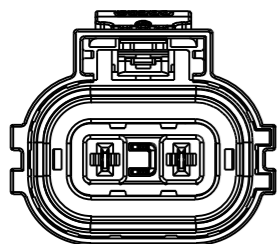


REV	ECN	DESCRIPTION	DATE	MODIFIED
E		UPDATE CONTACT P/N	2018.06.13	ROY.QU
F	R0390N	ADJUST RATING VOLTAGE	2019.3.22	ROY.QU

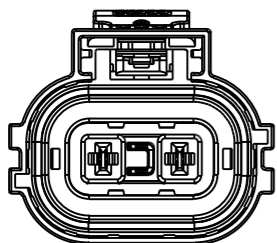
Amphenol PCDSZ
ORIGINAL
PDF Format
R&D

KEY A



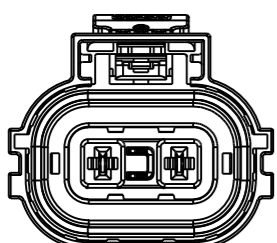
HVSL282062AYXXI

KEY B



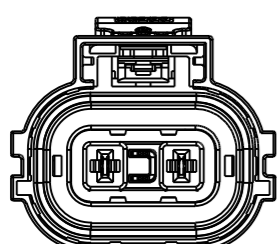
HVSL282062BYXXI

KEY C



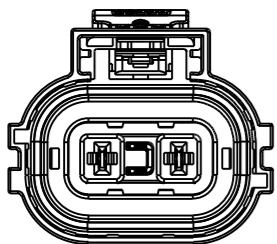
HVSL282062CYXXI

KEY D



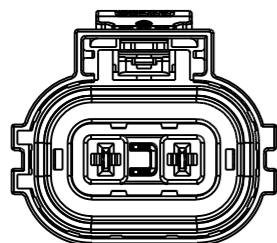
HVSL282062DYXXI

KEY E

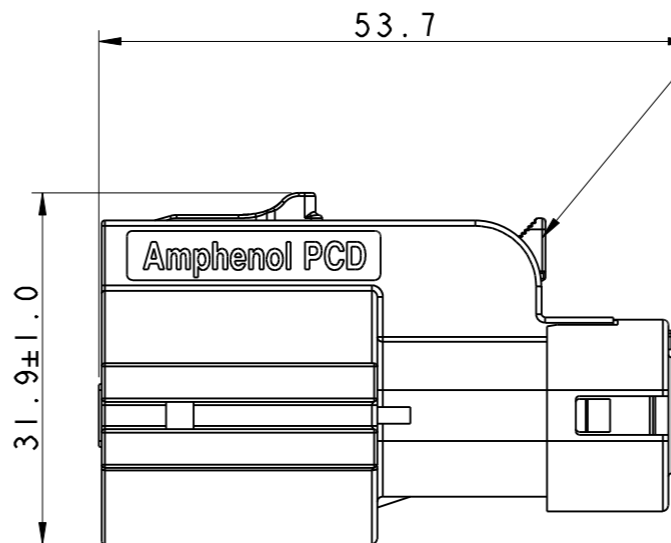
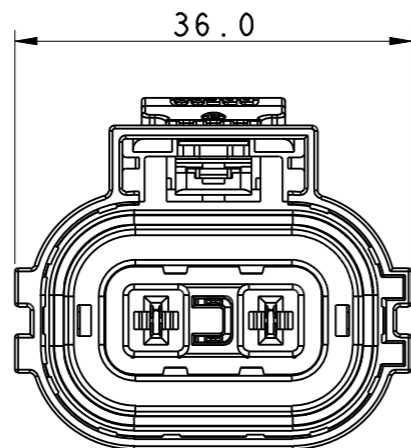


HVSL282062EYXXI

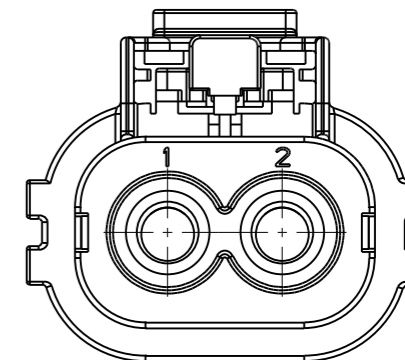
KEY F



HVSL28206FYXXI



DELIVERY CONDITION:
CPA ON LOCKED POSITION



SCOPE OF CABLE OUTSIDE DIAMETER	
SIZE	OUTSIDE DIAMETER
2.5~3 MM ²	4.7~5.3 MM
4 MM ²	5.1~5.7 MM

HOW TO ORDER:
PLUG DON'T INCLUDE CONTACT PIN,NEED TO BUY SEPARATE:
THE MAIN CONTACT:C310003612S,USE LEVEL: 2PCS

HVSL 282 06 2X X XX X

- A: KEY A
- B: KEY B
- C: KEY C
- D: KEY D
- E: KEY E
- F: KEY F
- 0: WITHOUT HVIL
- 1: WITH HVIL
- 03: 2.5~3mm² SHIELDED CABLE
- 04: 4.0mm² SHIELDED CABLE
- I: SINGLE CORE SHIELDED CABLE

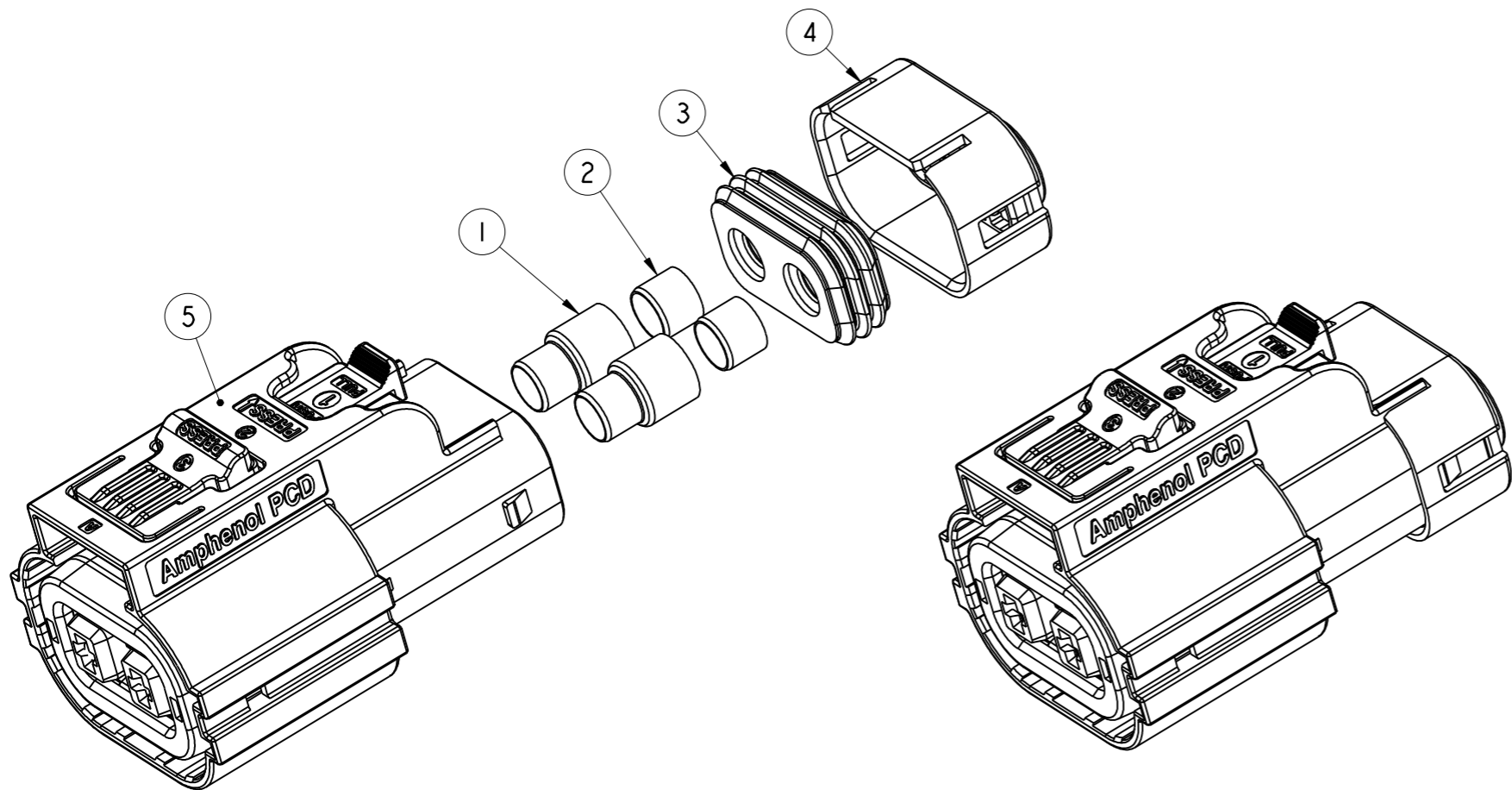
✦:CRITICAL CHARACTERISTICS 关键特性
◎:IMPORTANT CHARACTERISTICS 重要特性

TECHNICAL DATA		
CURRENT RATE (3~4MM ² SHIELD CABLE)	32A @ AMBIENT 70° C	✦
CURRENT RATE (2.5MM ² SHIELD CABLE)	23A @ AMBIENT 70° C	✦
UL RATING VOLTAGE (OVERVOLTAGE CATEGORY II POLLUTION DEGREE 2)	△ 1000V DC	✦
OPERATING TEMPERATURE	-40~125° C	✦
DIELECTRIC WITH STANDING VOLTAGE	3000V AC	✦
INSULATION RESISTANCE	2000MΩ MIN. 25° C, NO CABLE	✦
DURABILITY	50 CYCLES	◎
SHIELDING	YES	◎
WATERPROOF(MATED CONDITION)	IP 67, IP6K9K	✦
PROTECTION LEVEL	IP2XB	✦
AMBIENT TEMPERATURE	-40~70° C	
RoHS	YES	✦

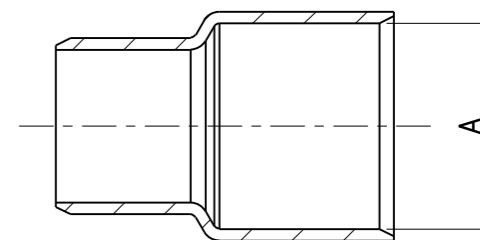
DIMENSIONS ANSI Y14.5M UNITS: MM Pro/E FILE	TOLERANCES .X ±0.5 .XX ±0.05 ANGLES ±0.5°	PROJECTION 	Amphenol Pcd Shenzhen		TITLE HVSL282 PLUG		
			ENGR ROY.QU	2019.3.21	SIZE A3	DWG NO. C-HVSL282062XXXXX	REV F
ORIGINAL	THIS DOCUMENT CONTAINS PROPRIETARY INFORMATION WHICH IS THE CONFIDENTIAL PROPERTY OF AMPHENOL PCD SHENZHEN		CHKD <i>Jack</i>	APPD <i>Senbao</i>	CODE: 58982	SCALE: 1:1	SHEET 1 OF 2

C-HVSL282062XXXXX

C-HVSL282062XXXXX

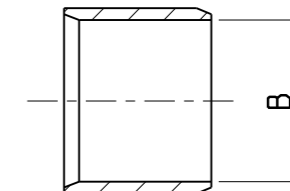


1



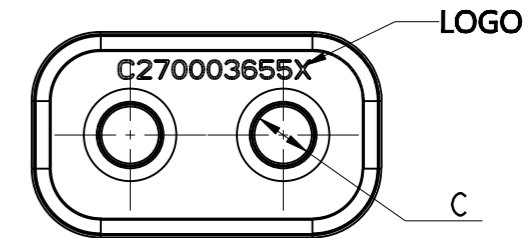
COMPONENT P/N	A
C3100036501	∅ 7.0±0.3
C3100036502	∅ 7.7±0.3

2



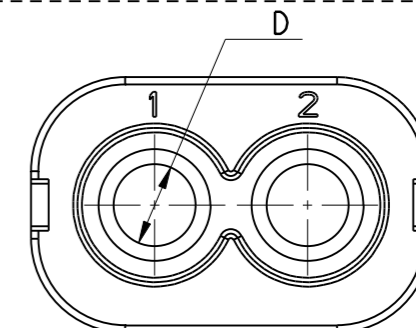
COMPONENT P/N	B
C2000036651	∅ 5.5±0.3
C2000036652	∅ 6.3±0.3

3



COMPONENT P/N	C	LOGO
C2700036551	∅ 4.3±0.3	C2700036551
C2700036552	∅ 3.8±0.3	C2700036552

4



COMPONENT P/N	D
C2200039091	∅ 5.6±0.3
C2200039092	∅ 6.3±0.3

P/N	ITEM	COMPONENT P/N	Q'T	DESCRIPTION	REMARK
HVSL282062XY04I	5	HVSL282062XY (X=A,B,C,D,E,F; Y=0,1)	1	Main Body	4MM ² SHIELD CABLE OD=∅ 5.1~∅ 5.7MM
	4	C2200039092	1	Back Cap	
	3	C2700036551	1	Seal	
	2	C2000036652	2	Inside Shielding Ring	
	1	C3100036502	2	Outside Shielding Ring	
HVSL282062XY03I	5	HVSL282062XY (X=A,B,C,D,E,F; Y=0,1)	1	Main Body	2.5~3.0MM ² SHIELD CABLE OD=∅ 4.7~∅ 5.3MM
	4	C2200039091	1	Back Cap	
	3	C2700036552	1	Seal	
	2	C2000036651	2	Inside Shielding Ring	
	1	C3100036501	2	Outside Shielding Ring	

C-HVSL282062XXXXX

C-HVSL282062XXXXX

SIZE A3	DWG NO. C-HVSL282062XXXXX	REV F
CODE: 58982	SCALE: 1:1	SHEET 2 OF 2