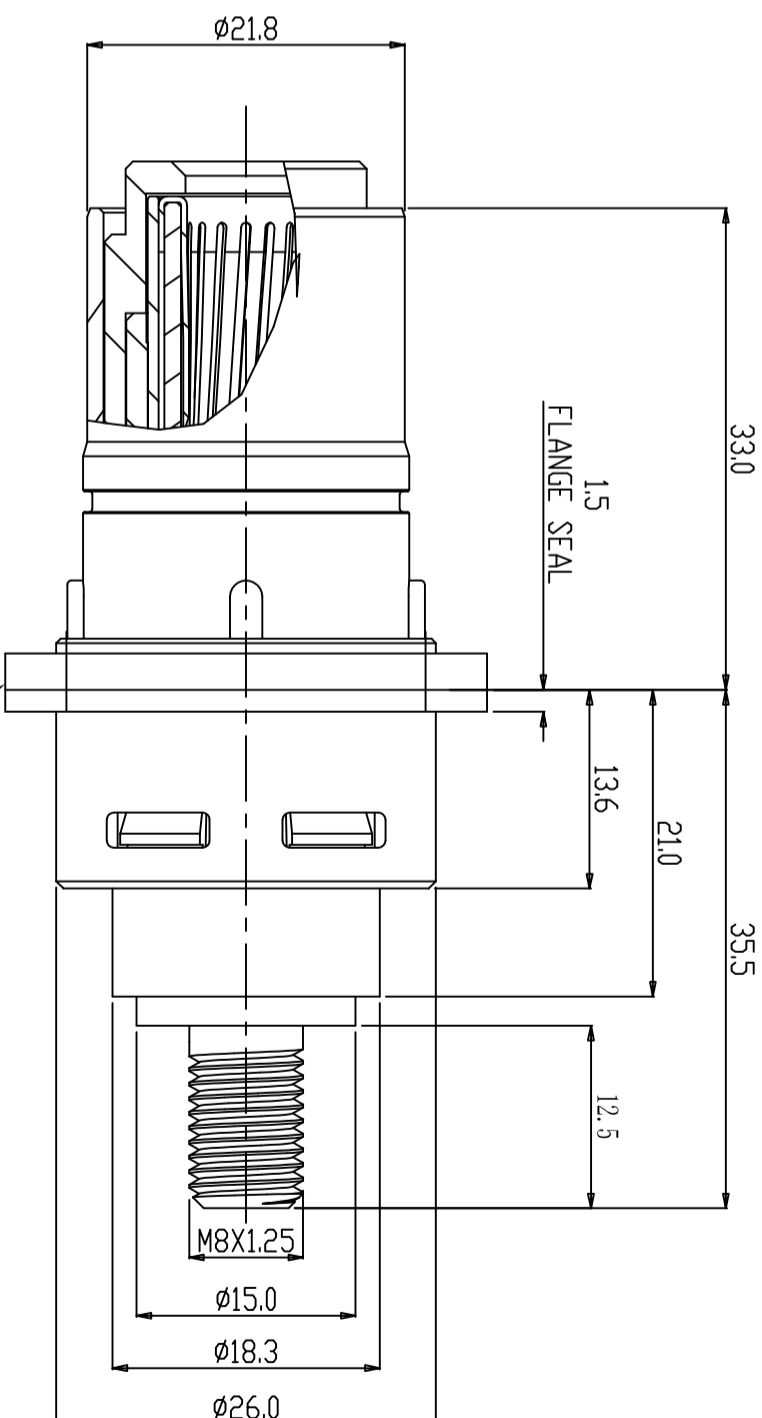
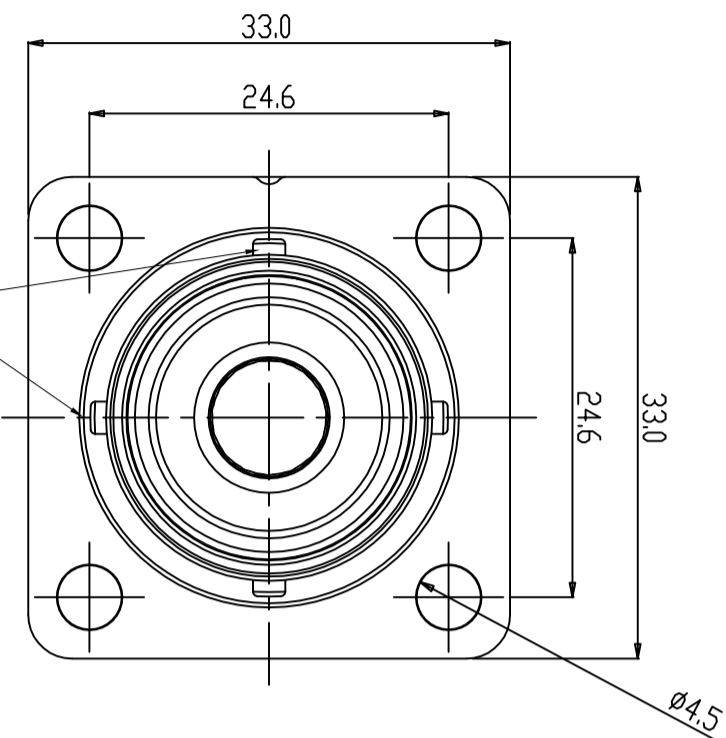
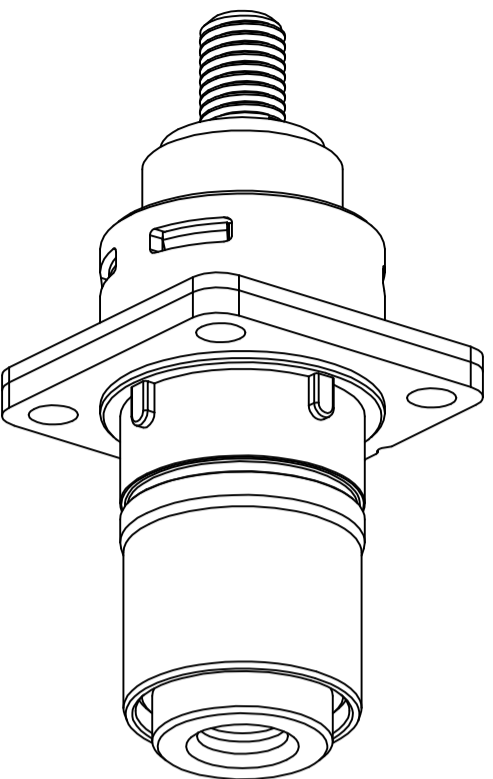


REV	ECN	DESCRIPTION	DATE	MODIFIED
B		FIRST RELEASE	2014.08.21	SEVN.TAD



ANGLE OF THE KEYS
(TO PREVENT MISPLUG)



TECHNICAL DATA

CURRENT RATE (50MM ² CABLE)	180A
UL RATING VOLTAGE	630V DC/400V AC
OPERATING TEMPERATURE	-40-125°C
DIELECTRIC WITHSTANDING VOLTAGE	3500V AC
INSULATION RESISTANCE	200MEGΩHMS MIN. (25°C)
DURABILITY	500 CYCLES
SHIELDING	---
WATERPROOF (WHEN MATED)	IP 67

ANGLE CODE

P/N	ANGLE
HV0R7-1FTX	90°
HV0R7-1FTY	180°
HV0R7-1FTZ	135°
HV0R7-1FTW	120°
HV0R7-1FTU	155°
HV0R7-1FTN	ND

COLOR CODE

P/N	COLOR
HV0R7-1FT*	ND
HV0R7-1FT*-BK	BLACK
HV0R7-1FT*-RD	RED
HV0R7-1FT*-BL	BLUE
HV0R7-1FT*-G	GREEN
HV0R7-1FT*-Y	YELLOW

HV0R7-1FTXX

DIMENSIONS	ANSI Y14.5M UNITS: MM P/O/E FILE	TOLERANCES	X ± 0.3 XX ± 0.10 ANGLES ± 0.5°	PROJECTION	
ORIGINAL NOT FOR CUSTOMER DISTRIBUTION	THIS DOCUMENT CONTAINS PROPRIETARY INFORMATION WHICH IS THE CONFIDENTIAL PROPERTY OF AMPHENOL PCD SHENZHEN		CHKD	Amphenol Pcd Shenzhen	TITLE
	ENGR	Sevn.Tao	2014.08.21	APPD	RECEPTACLE THREAD TERMINATION, 8MM
	SIZE	DWG NO.	SCALE:	SHEET	REV
	A3	HV0R7-1FTXX	3:2	1 OF 1	B
	CODE:	58982			