

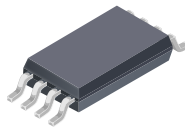
## Low Noise, High Precision, Programmable Linear Hall-Effect Sensor IC with Advanced Temperature Compensation and High Bandwidth (90 kHz) Analog Output

### FEATURES AND BENEFITS

- Proprietary segmented linear interpolated temperature compensation (TC) technology provides a typical accuracy of 1% across the full operating temperature range
- Customer programmable, high resolution offset and sensitivity trim
- Factory programmed sensitivity and quiescent output voltage TC with extremely stable temperature performance
- High sensitivity Hall element for maximum accuracy
- Extremely low noise and high resolution achieved via proprietary Hall element and low noise amplifier circuits
- 90 kHz nominal bandwidth achieved via proprietary packaging and chopper stabilization techniques
- Patented circuits suppress IC output spiking during fast current step inputs
- Open circuit detection on ground pin (broken wire)
- Undervoltage lockout for  $V_{CC}$  below specification

Continued on the next page...

### Package: 8-pin TSSOP (suffix LU)



Not to scale

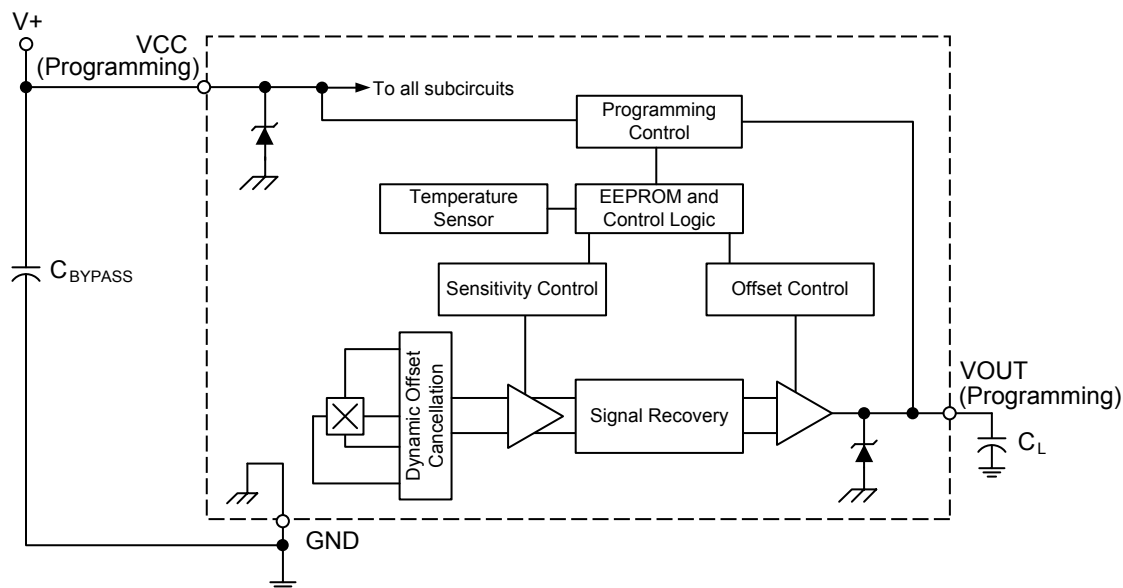
### DESCRIPTION

The Allegro™ A1363 programmable linear Hall-effect current sensor IC has been designed to achieve high accuracy and resolution without compromising bandwidth. The goal is achieved through new proprietary linearly interpolated temperature compensation technology that is programmed at the Allegro factory and provides sensitivity and offset that are virtually flat across the full operating temperature range. Temperature compensation is done in the digital domain with integrated EEPROM technology, without sacrificing the analog signal path 90 kHz bandwidth, making this device ideal for HEV inverter, DC-to-DC converter, and electric power steering (EPS) applications.

This ratiometric Hall-effect sensor IC provides a voltage output that is proportional to the applied magnetic field. The customer can configure the sensitivity and quiescent (zero field) output voltage through programming on the VCC and output pins, to optimize performance in the end application. The quiescent output voltage is user-adjustable around 50% of the supply voltage,  $V_{CC}$ , and the output sensitivity is adjustable within the range of 0.6 to 14 mV/G.

The sensor IC incorporates a highly sensitive Hall element with a BiCMOS interface integrated circuit that employs a low noise small-signal high-gain amplifier, a clamped, low-impedance output stage, and a proprietary, high bandwidth dynamic offset

Continued on the next page...



Functional Block Diagram

### FEATURES AND BENEFITS (continued)

- Selectable sensitivity range between 0.6 and 14 mV/G through use of coarse sensitivity programming bits
- Ratiometric sensitivity, quiescent voltage output, and clamps for interfacing with application A-to-D converter (ADC)
- Precise recoverability after temperature cycling
- Output voltage clamps provide short circuit diagnostic capabilities
- Wide ambient temperature range:  $-40^{\circ}\text{C}$  to  $150^{\circ}\text{C}$
- Immune to mechanical stress
- Extremely thin package: 1 mm case thickness
- AEC-Q100 automotive qualified

### DESCRIPTION (continued)

cancellation technique. These advances in Hall-effect technology work together to provide an industry leading sensing resolution at the full 90 kHz bandwidth. Broken ground wire detection, as well as user-selectable output voltage clamps, are also built into this device, for high reliability in automotive applications.

Device parameters are specified across the full automotive temperature range:  $-40^{\circ}\text{C}$  to  $150^{\circ}\text{C}$ . The A1363 sensor IC is provided in a low-profile 8-pin surface mount TSSOP package (thin shrink small outline package, suffix LU) that is lead (Pb) free, with 100% matte tin leadframe plating.

### SELECTION GUIDE

| Part Number     | Packing [1]                 | Sensitivity Range [2] (mV/G) |
|-----------------|-----------------------------|------------------------------|
| A1363LLUTR-1-T  | 4000 pieces per 13-in. reel | SENS_COARSE 00: 0.6 to 1.3   |
| A1363LLUTR-2-T  | 4000 pieces per 13-in. reel | SENS_COARSE 01: 1.3 to 2.9   |
| A1363LLUTR-5-T  | 4000 pieces per 13-in. reel | SENS_COARSE 10: 2.9 to 6.4   |
| A1363LLUTR-10-T | 4000 pieces per 13-in. reel | SENS_COARSE 11: 6.4 to 14    |



[1] Contact Allegro for additional packing options.

[2] Allegro recommends against changing Coarse Sensitivity settings when programming devices that will be used in production. Each A1363 has been Factory Temperature Compensated at a specific Sensitivity Range and changing coarse bits setting could cause sensitivity drift through temperature range,  $\Delta\text{Sens}_{\text{TC}}$ , to exceed specified limits.

### Table of Contents

|                                       |   |                                      |    |
|---------------------------------------|---|--------------------------------------|----|
| Features and Benefits.....            | 1 | Characteristic Definitions.....      | 12 |
| Description.....                      | 1 | Functional Description.....          | 17 |
| Package.....                          | 1 | Programming Sensitivity and QVO..... | 17 |
| Functional Block Diagram.....         | 1 | Coarse Sensitivity.....              | 17 |
| Selection Guide.....                  | 2 | Memory Locking Mechanisms.....       | 17 |
| Absolute Maximum Ratings.....         | 3 | POR and UVLO Operation.....          | 18 |
| Thermal Characteristics.....          | 3 | Detecting Broken Ground Wire.....    | 19 |
| Pinout Diagram and Terminal List..... | 3 | Chopper Stabilization Technique..... | 20 |
| Operating Characteristics.....        | 4 | Programming Serial Interface.....    | 21 |
| Characteristic Performance Data.....  | 8 | Package Outline Drawing.....         | 28 |

# A1363LU

Low Noise, High Precision, Programmable Linear Hall-Effect Sensor IC  
with Advanced Temperature Compensation and High Bandwidth (90 kHz) Analog Output

## ABSOLUTE MAXIMUM RATINGS

| Characteristic                        | Symbol                    | Notes               | Rating     | Unit  |
|---------------------------------------|---------------------------|---------------------|------------|-------|
| Forward Supply Voltage                | $V_{CC}$                  |                     | 6          | V     |
| Reverse Supply Voltage                | $V_{RCC}$                 |                     | -0.1       | V     |
| Forward Output Voltage                | $V_{OUT}$                 |                     | 25         | V     |
| Reverse Output Voltage                | $V_{ROUT}$                |                     | -0.1       | V     |
| Output Source Current                 | $I_{OUT(source)}$         | VOUT to GND         | 2.8        | mA    |
| Output Sink Current                   | $I_{OUT(sink)}$           | VCC to VOUT         | 10         | mA    |
| Maximum Number of EEPROM Write Cycles | EEPROM <sub>W</sub> (max) |                     | 100        | cycle |
| Operating Ambient Temperature         | $T_A$                     | L temperature range | -40 to 150 | °C    |
| Storage Temperature                   | $T_{stg}$                 |                     | -65 to 165 | °C    |
| Maximum Junction Temperature          | $T_J(max)$                |                     | 165        | °C    |

## ESD RATINGS

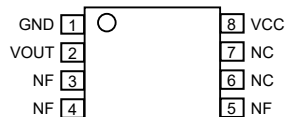
| Characteristic       | Symbol    | Test Conditions | Value | Unit |
|----------------------|-----------|-----------------|-------|------|
| Human Body Model     | $V_{HBM}$ | Per AEC-Q100    | ±10   | kV   |
| Charged Device Model | $V_{CDM}$ | Per AEC-Q100    | ±1    | kV   |

## THERMAL CHARACTERISTICS: May require derating at maximum conditions; see application information

| Characteristic             | Symbol          | Test Conditions*                                              | Value | Unit |
|----------------------------|-----------------|---------------------------------------------------------------|-------|------|
| Package Thermal Resistance | $R_{\theta JA}$ | LU package, estimated, on 4-layer PCB based on JEDEC standard | 145   | °C/W |

\*Additional thermal information available on the Allegro website

## PINOUT DIAGRAM AND TERMINAL LIST



Package LU, 8-Pin TSSOP

### Terminal List Table

| Number  | Name | Function                                                                                 |
|---------|------|------------------------------------------------------------------------------------------|
| 1       | GND  | Ground                                                                                   |
| 2       | VOUT | Output signal, also used for programming                                                 |
| 3, 4, 5 | NF   | No function; do not leave floating; connect to GND                                       |
| 6, 7    | NC   | No connect [1]                                                                           |
| 8       | VCC  | Input power supply, use bypass capacitor to connect to ground; also used for programming |

[1] Leave NC pins floating for ideal bandwidth performance.

**OPERATING CHARACTERISTICS:** Valid through the full operating temperature range,  $T_A$ ,  $C_{BYPASS} = 0.1 \mu\text{F}$ ,  $V_{CC} = 5 \text{ V}$ , unless otherwise specified

| Characteristics                            | Symbol          | Test Conditions                                                                                                                                      | Min. | Typ.     | Max. | Unit [1]      |
|--------------------------------------------|-----------------|------------------------------------------------------------------------------------------------------------------------------------------------------|------|----------|------|---------------|
| <b>ELECTRICAL CHARACTERISTICS</b>          |                 |                                                                                                                                                      |      |          |      |               |
| Supply Voltage                             | $V_{CC}$        |                                                                                                                                                      | 4.5  | 5.0      | 5.5  | V             |
| Supply Current                             | $I_{CC}$        | No load on VOUT                                                                                                                                      | –    | 10       | 15   | mA            |
| Power-On Time [2]                          | $t_{PO}$        | $T_A = 25^\circ\text{C}$ , $C_{BYPASS} = \text{Open}$ , $C_L = 1 \text{ nF}$ , Sens = 2 mV/G, constant magnetic field of 400 G                       | –    | 78       | –    | $\mu\text{s}$ |
| Temperature Compensation Power-On Time [2] | $t_{TC}$        | $T_A = 150^\circ\text{C}$ , $C_{BYPASS} = \text{Open}$ , $C_L = 1 \text{ nF}$ , Sens = 2 mV/G, constant magnetic field of 400 G                      | –    | 30       | –    | $\mu\text{s}$ |
| Undervoltage Lockout (UVLO) Threshold [2]  | $V_{UVLOH}$     | $T_A = 25^\circ\text{C}$ , $V_{CC}$ rising and device function enabled                                                                               | –    | 3.8      | –    | V             |
|                                            | $V_{UVLOL}$     | $T_A = 25^\circ\text{C}$ , $V_{CC}$ falling and device function disabled                                                                             | –    | 3.3      | –    | V             |
| UVLO Enable/Disable Delay Time [2]         | $t_{UVLOE}$     | $T_A = 25^\circ\text{C}$ , $C_{BYPASS} = \text{Open}$ , $C_L = 1 \text{ nF}$ , Sens = 2 mV/G, $V_{CC}$ Fall Time (5 V to 3 V) = 1.5 $\mu\text{s}$    | –    | 64       | –    | $\mu\text{s}$ |
|                                            | $t_{UVLOD}$     | $T_A = 25^\circ\text{C}$ , $C_{BYPASS} = \text{Open}$ , $C_L = 1 \text{ nF}$ , Sens = 2 mV/G, $V_{CC}$ Recover Time (3 V to 5 V) = 1.5 $\mu\text{s}$ | –    | 14       | –    | $\mu\text{s}$ |
| Power-On Reset Voltage [2]                 | $V_{PORH}$      | $T_A = 25^\circ\text{C}$ , $V_{CC}$ rising                                                                                                           | –    | 2.6      | –    | V             |
|                                            | $V_{PORL}$      | $T_A = 25^\circ\text{C}$ , $V_{CC}$ falling                                                                                                          | –    | 2.3      | –    | V             |
| Power-On Reset Release Time [2]            | $t_{PORR}$      | $T_A = 25^\circ\text{C}$ , $V_{CC}$ rising                                                                                                           | –    | 64       | –    | $\mu\text{s}$ |
| Supply Zener Clamp Voltage                 | $V_Z$           | $T_A = 25^\circ\text{C}$ , $I_{CC} = 30 \text{ mA}$                                                                                                  | 6.5  | 7.5      | –    | V             |
| Internal Bandwidth                         | $BW_i$          | Small signal –3 dB, $C_L = 1 \text{ nF}$ , $T_A = 25^\circ\text{C}$                                                                                  | –    | 90       | –    | kHz           |
| Chopping Frequency [3]                     | $f_C$           | $T_A = 25^\circ\text{C}$                                                                                                                             | –    | 500      | –    | kHz           |
| <b>OUTPUT CHARACTERISTICS</b>              |                 |                                                                                                                                                      |      |          |      |               |
| Propagation Delay Time [2]                 | $t_{PD}$        | $T_A = 25^\circ\text{C}$ , magnetic field step of 400 G, $C_L = 1 \text{ nF}$ , Sens = 2 mV/G                                                        | –    | 1.9      | –    | $\mu\text{s}$ |
| Rise Time [2]                              | $t_R$           | $T_A = 25^\circ\text{C}$ , magnetic field step of 400 G, $C_L = 1 \text{ nF}$ , Sens = 2 mV/G                                                        | –    | 4.3      | –    | $\mu\text{s}$ |
| Response Time [2]                          | $t_{RESPONSE}$  | $T_A = 25^\circ\text{C}$ , magnetic field step of 400 G, $C_L = 1 \text{ nF}$ , Sens = 2 mV/G                                                        | –    | 3.8      | –    | $\mu\text{s}$ |
| Delay to Clamp [2]                         | $t_{CLP}$       | $T_A = 25^\circ\text{C}$ , Step magnetic field from 800 to 1200 G, $C_L = 1 \text{ nF}$ , Sens = 2 mV/G                                              | –    | 10       | –    | $\mu\text{s}$ |
| Output Voltage Clamp [4]                   | $V_{CLP(HIGH)}$ | $T_A = 25^\circ\text{C}$ , $R_{L(PULLDWN)} = 10 \text{ k}\Omega$ to GND                                                                              | 4.55 | –        | 4.85 | V             |
|                                            | $V_{CLP(LOW)}$  | $T_A = 25^\circ\text{C}$ , $R_{L(PULLUP)} = 10 \text{ k}\Omega$ to VCC                                                                               | 0.15 | –        | 0.45 | V             |
| Output Saturation Voltage [2]              | $V_{SAT(HIGH)}$ | $T_A = 25^\circ\text{C}$ , $R_{L(PULLDWN)} = 10 \text{ k}\Omega$ to GND                                                                              | 4.7  | –        | –    | V             |
|                                            | $V_{SAT(LOW)}$  | $T_A = 25^\circ\text{C}$ , $R_{L(PULLUP)} = 10 \text{ k}\Omega$ to VCC                                                                               | –    | –        | 400  | mV            |
| Broken Wire Voltage [2]                    | $V_{BRK(HIGH)}$ | $T_A = 25^\circ\text{C}$ , $R_{L(PULLUP)} = 10 \text{ k}\Omega$ to VCC                                                                               | –    | $V_{CC}$ | –    | V             |
|                                            | $V_{BRK(LOW)}$  | $T_A = 25^\circ\text{C}$ , $R_{L(PULLDWN)} = 10 \text{ k}\Omega$ to GND                                                                              | –    | 100      | –    | mV            |

Continued on the next page...

**OPERATING CHARACTERISTICS (continued):** Valid through the full operating temperature range,  $T_A$ ,  $C_{BYPASS} = 0.1 \mu F$ ,  $V_{CC} = 5 V$ , unless otherwise specified

| Characteristics                                                    | Symbol                              | Test Conditions                                                 | Min. | Typ.                                                   | Max. | Unit [1]               |
|--------------------------------------------------------------------|-------------------------------------|-----------------------------------------------------------------|------|--------------------------------------------------------|------|------------------------|
| <b>OUTPUT CHARACTERISTICS (continued)</b>                          |                                     |                                                                 |      |                                                        |      |                        |
| Noise [5]                                                          | $V_N$                               | $T_A = 25^\circ C$ , $CL = 1 nF$ , $BW_f = BW_i$                | –    | 1.1                                                    | –    | $mG_{RMS}/\sqrt{(Hz)}$ |
|                                                                    |                                     | $T_A = 25^\circ C$ , $CL = 1 nF$ , Sens = 2 mV/G, $BW_f = BW_i$ | –    | 6.3                                                    | –    | mV <sub>p-p</sub>      |
|                                                                    |                                     | $T_A = 25^\circ C$ , $CL = 1 nF$ , Sens = 2 mV/G, $BW_f = BW_i$ | –    | 1                                                      | –    | mV <sub>RMS</sub>      |
| DC Output Resistance                                               | $R_{OUT}$                           | $T_A = 25^\circ C$ , $V_{OUT} = 2.5 V$                          | –    | <1                                                     | –    | $\Omega$               |
| Output Load Resistance                                             | $R_{L(PULLUP)}$                     | VO <sub>UT</sub> to V <sub>CC</sub>                             | 4.7  | –                                                      | –    | k $\Omega$             |
|                                                                    | $R_{L(PULLDOWN)}$                   | VO <sub>UT</sub> to GND                                         | 4.7  | –                                                      | –    | k $\Omega$             |
| Output Load Capacitance [6]                                        | $C_L$                               | VO <sub>UT</sub> to GND                                         | –    | 1                                                      | 10   | nF                     |
| Output Slew Rate [7]                                               | SR                                  | Sens = 2 mV/G, $C_L = 1 nF$                                     | –    | 230                                                    | –    | V/ms                   |
| <b>QUIESCENT VOLTAGE OUTPUT (<math>V_{OUT(Q)}</math>) [2]</b>      |                                     |                                                                 |      |                                                        |      |                        |
| Initial Unprogrammed Quiescent Voltage Output [2][8]               | $V_{OUT(Q)init}$                    | $T_A = 25^\circ C$                                              | 2.4  | 2.5                                                    | 2.6  | V                      |
| Quiescent Voltage Output Programming Range [2][4][9]               | $V_{OUT(Q)PR}$                      | $T_A = 25^\circ C$                                              | 2.3  | –                                                      | 2.7  | V                      |
| Quiescent Voltage Output Programming Bits [10]                     | QVO                                 |                                                                 | –    | 9                                                      | –    | bit                    |
| Average Quiescent Voltage Output Programming Step Size [2][11][12] | Step <sub>V<sub>OUT(Q)</sub></sub>  | $T_A = 25^\circ C$                                              | 1.9  | 2.3                                                    | 2.8  | mV                     |
| Quiescent Voltage Output Programming Resolution [2][13]            | Err <sub>PGV<sub>OUT(Q)</sub></sub> | $T_A = 25^\circ C$                                              | –    | $\pm 0.5 \times$<br>Step <sub>V<sub>OUT(Q)</sub></sub> | –    | mV                     |
| <b>SENSITIVITY (Sens) [2]</b>                                      |                                     |                                                                 |      |                                                        |      |                        |
| Initial Unprogrammed Sensitivity [8]                               | Sens <sub>init</sub>                | SENS_COARSE = 00, $T_A = 25^\circ C$                            | –    | 1                                                      | –    | mV/G                   |
|                                                                    |                                     | SENS_COARSE = 01, $T_A = 25^\circ C$                            | –    | 2.2                                                    | –    | mV/G                   |
|                                                                    |                                     | SENS_COARSE = 10, $T_A = 25^\circ C$                            | –    | 4.7                                                    | –    | mV/G                   |
|                                                                    |                                     | SENS_COARSE = 11, $T_A = 25^\circ C$                            | –    | 9.6                                                    | –    | mV/G                   |
| Sensitivity Programming Range [4][9]                               | Sens <sub>PR</sub>                  | SENS_COARSE = 00, $T_A = 25^\circ C$                            | 0.6  | –                                                      | 1.3  | mV/G                   |
|                                                                    |                                     | SENS_COARSE = 01, $T_A = 25^\circ C$                            | 1.3  | –                                                      | 2.9  | mV/G                   |
|                                                                    |                                     | SENS_COARSE = 10, $T_A = 25^\circ C$                            | 2.9  | –                                                      | 6.4  | mV/G                   |
|                                                                    |                                     | SENS_COARSE = 11, $T_A = 25^\circ C$                            | 6.4  | –                                                      | 14   | mV/G                   |

Continued on the next page...

**OPERATING CHARACTERISTICS (continued):** Valid through the full operating temperature range,  $T_A$ ,  $C_{BYPASS} = 0.1 \mu F$ ,  $V_{CC} = 5 V$ , unless otherwise specified

| Characteristics                                                            | Symbol                         | Test Conditions                                                              | Min. | Typ.                                     | Max. | Unit [1]       |
|----------------------------------------------------------------------------|--------------------------------|------------------------------------------------------------------------------|------|------------------------------------------|------|----------------|
| <b>SENSITIVITY PROGRAMMING (continued)</b>                                 |                                |                                                                              |      |                                          |      |                |
| Coarse Sensitivity Programming Bits [14]                                   | SENS_COARSE                    |                                                                              | –    | 2                                        | –    | bit            |
| Fine Sensitivity Programming Bits [10]                                     | SENS_FINE                      |                                                                              | –    | 9                                        | –    | bit            |
| Average Fine Sensitivity Programming Step Size [2][11][12]                 | Step <sub>SENS</sub>           | SENS_COARSE = 00, $T_A = 25^\circ C$                                         | 2.4  | 3.2                                      | 4.1  | $\mu V/G$      |
|                                                                            |                                | SENS_COARSE = 01, $T_A = 25^\circ C$                                         | 5    | 6.6                                      | 8.5  | $\mu V/G$      |
|                                                                            |                                | SENS_COARSE = 10, $T_A = 25^\circ C$                                         | 11   | 14.2                                     | 18   | $\mu V/G$      |
|                                                                            |                                | SENS_COARSE = 11, $T_A = 25^\circ C$                                         | 22   | 29                                       | 38   | $\mu V/G$      |
| Sensitivity Programming Resolution [2][13]                                 | Err <sub>PGSENS</sub>          | $T_A = 25^\circ C$                                                           | –    | $\pm 0.5 \times$<br>Step <sub>SENS</sub> | –    | $\mu V/G$      |
| <b>FACTORY PROGRAMMED SENSITIVITY TEMPERATURE COEFFICIENT</b>              |                                |                                                                              |      |                                          |      |                |
| Sensitivity Temperature Coefficient [2]                                    | TC <sub>SENS</sub>             | $T_A = 150^\circ C, T_A = -40^\circ C$ , calculated relative to $25^\circ C$ | –    | 0                                        | –    | %/ $^\circ C$  |
| Sensitivity Drift Through Temperature Range [2][9][15][20]                 | $\Delta$ Sens <sub>TC</sub>    | $T_A = 25^\circ C$ to $150^\circ C$                                          | –3.5 | –                                        | 3.5  | %              |
|                                                                            |                                | $T_A = -40^\circ C$ to $25^\circ C$                                          | –3.5 | –                                        | 3.5  | %              |
| Average Sensitivity Temperature Compensation Step Size                     | Step <sub>SENSTC</sub>         |                                                                              | –    | < 0.3                                    | –    | %              |
| <b>FACTORY PROGRAMMED QUIESCENT VOLTAGE OUTPUT TEMPERATURE COEFFICIENT</b> |                                |                                                                              |      |                                          |      |                |
| Quiescent Voltage Output Temperature Coefficient [2]                       | TC <sub>QVO</sub>              | $T_A = 150^\circ C, T_A = -40^\circ C$ , calculated relative to $25^\circ C$ | –    | 0                                        | –    | mV/ $^\circ C$ |
| Quiescent Voltage Output Drift Through Temperature Range [2][9][15]        | $\Delta$ V <sub>OUT(Q)TC</sub> | $T_A = 25^\circ C$ to $150^\circ C$                                          | –15  | –                                        | 15   | mV             |
|                                                                            |                                | $T_A = -40^\circ C$ to $25^\circ C$                                          | –30  | –                                        | 30   | mV             |
| Average Quiescent Voltage Output Temperature Compensation Step Size        | Step <sub>QVOTC</sub>          |                                                                              | –    | 2.3                                      | –    | mV             |
| <b>LOCK BIT PROGRAMMING</b>                                                |                                |                                                                              |      |                                          |      |                |
| EEPROM Lock Bit                                                            | EELOCK                         |                                                                              | –    | 1                                        | –    | bit            |

Continued on the next page...

**OPERATING CHARACTERISTICS (continued): Valid through the full operating temperature range,  $T_A$ ,  $C_{BYPASS} = 0.1 \mu F$ ,  $V_{CC} = 5 V$ , unless otherwise specified**

| Characteristics                                   | Symbol               | Test Conditions                                                                                        | Min. | Typ.           | Max. | Unit [1] |
|---------------------------------------------------|----------------------|--------------------------------------------------------------------------------------------------------|------|----------------|------|----------|
| <b>ERROR COMPONENTS</b>                           |                      |                                                                                                        |      |                |      |          |
| Linearity Sensitivity Error [2][16]               | $Lin_{ERR}$          |                                                                                                        | -1   | < $\pm 0.25$   | 1    | %        |
| Symmetry Sensitivity Error [2]                    | $Sym_{ERR}$          |                                                                                                        | -1   | < $\pm 0.25$   | 1    | %        |
| Ratiometry Quiescent Voltage Output Error [2][17] | $Rat_{ERRVOUT(Q)}$   | Through supply voltage range (relative to $V_{CC} = 5 V$ )                                             | -1   | 0              | 1    | %        |
| Ratiometry Sensitivity Error [2][17]              | $Rat_{ERRSens}$      | Through supply voltage range (relative to $V_{CC} = 5 V$ )                                             | -2   | < $\pm 0.5$    | 2    | %        |
| Ratiometry Clamp Error [2][18]                    | $Rat_{ERRCLP}$       | Through supply voltage range (relative to $V_{CC} = 5 V$ ), $T_A = 25^\circ C$                         | -    | < $\pm 1.0$    | -    | %        |
| Sensitivity Drift Due to Package Hysteresis [2]   | $\Delta Sens_{PKG}$  | $T_A = 25^\circ C$ , after temperature cycling, $25^\circ C$ to $150^\circ C$ and back to $25^\circ C$ | -    | $-1.5 \pm 1.5$ | -    | %        |
| Sensitivity Drift Over Lifetime [19]              | $\Delta Sens_{LIFE}$ | $T_A = 25^\circ C$ , shift after AEC-Q100 grade 0 qualification testing                                | -    | $\pm 1$        | -    | %        |

[1] 1 G (gauss) = 0.1 mT (millitesla).

[2] See Characteristic Definitions section.

[3]  $f_C$  varies up to approximately  $\pm 20\%$  over the full operating ambient temperature range,  $T_A$ , and process.

[4] Sens,  $V_{OUT(Q)}$ ,  $V_{CLP(LOW)}$ , and  $V_{CLP(HIGH)}$  scale with  $V_{CC}$  due to ratiometry.

[5] Noise, measured in  $mV_{PP}$  and in  $mV_{RMS}$ , is dependent on the sensitivity of the device.

[6] Output stability is maintained for capacitive loads as large as 10 nF.

[7] High-to-low transition of output voltage is a function of external load components and device sensitivity.

[8] Raw device characteristic values before any programming.

[9] Exceeding the specified ranges will cause sensitivity and Quiescent Voltage Output drift through the temperature range to deteriorate beyond the specified values.

[10] Refer to Functional Description section.

[11] Step size is larger than required, in order to provide for manufacturing spread. See Characteristic Definitions section.

[12] Non-ideal behavior in the programming DAC can cause the step size at each significant bit rollover code to be greater than twice the maximum specified value of  $Step_{VOUT(Q)}$  or  $Step_{SENS}$ .

[13] Overall programming value accuracy. See Characteristic Definitions section.

[14] Each A1363 part number is factory programmed and temperature compensated at a different coarse sensitivity setting. Changing coarse bits setting could cause sensitivity drift through temperature range  $\Delta Sens_{TC}$ , to exceed specified limits.

[15] Allegro tests and temperature compensates each device at  $150^\circ C$ . Allegro does not test devices at  $-40^\circ C$ . Temperature compensation codes will be applied based on characterization data.

[16] Linearity applies to output voltage ranges of  $\pm 2 V$  from the quiescent output for bidirectional devices.

[17] Percent change from actual value at  $V_{CC} = 5 V$ , for a given temperature, through the supply voltage operating range.

[18] Percent change from actual value at  $V_{CC} = 5 V$ ,  $T_A = 25^\circ C$ , through the supply voltage operating range.

[19] Based on characterization data obtained during standardized stress test for Qualification of Integrated Circuits. Can not be guaranteed. Drift is a function of customer application conditions. Please contact Allegro MicroSystems for further information.

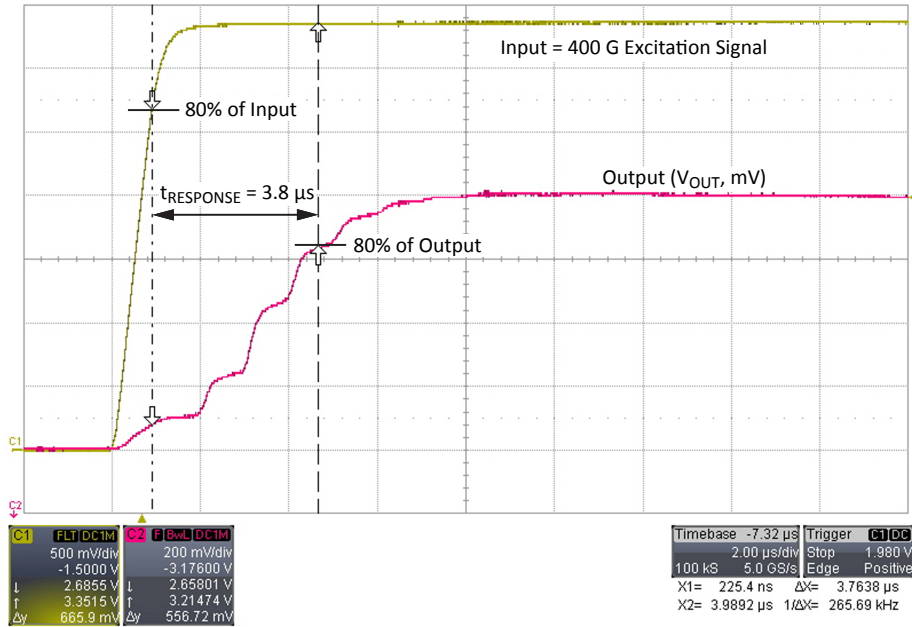
[20] Includes sensitivity drift due to package hysteresis observed during factory testing.

### CHARACTERISTIC PERFORMANCE DATA

#### Response Time ( $t_{RESPONSE}$ )

400 G excitation signal with 10%-90% rise time = 1  $\mu$ s

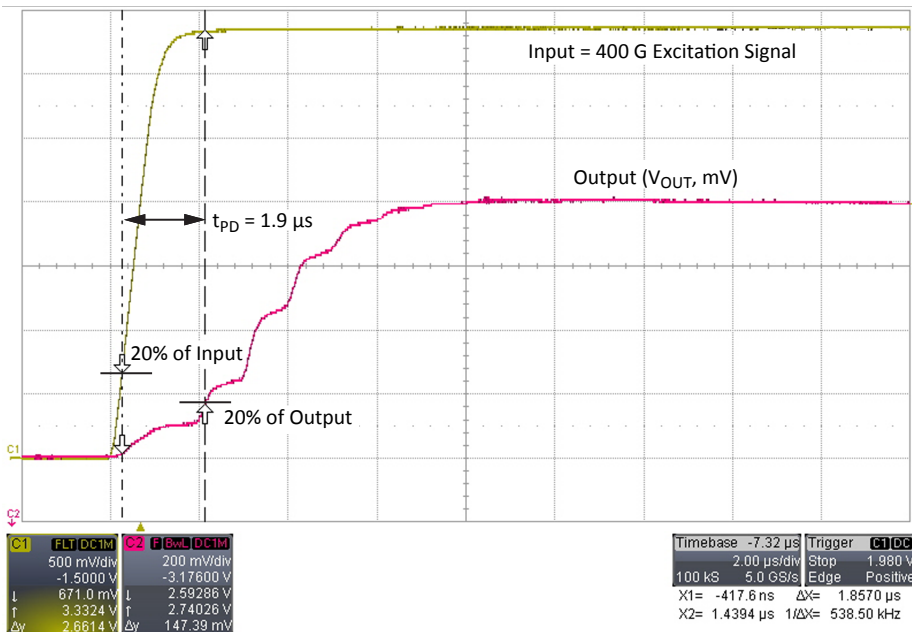
Sensitivity = 2 mV/G,  $C_{BYPASS}$ =0.1  $\mu$ F,  $C_L$ =1 nF



#### Propagation Delay ( $t_{PD}$ )

400 G excitation signal with 10%-90% rise time = 1  $\mu$ s

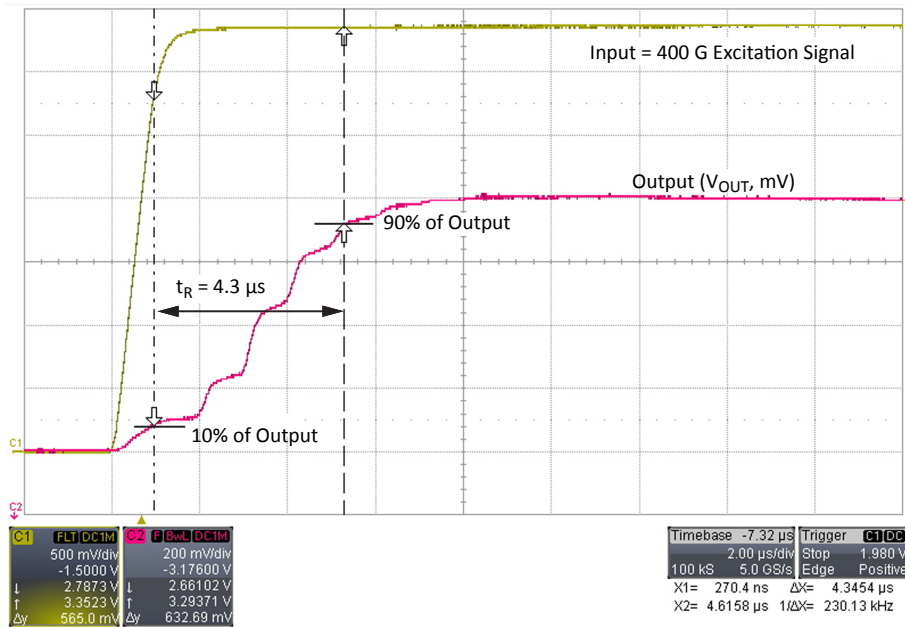
Sensitivity = 2 mV/G,  $C_{BYPASS}$ =0.1  $\mu$ F,  $C_L$ =1 nF





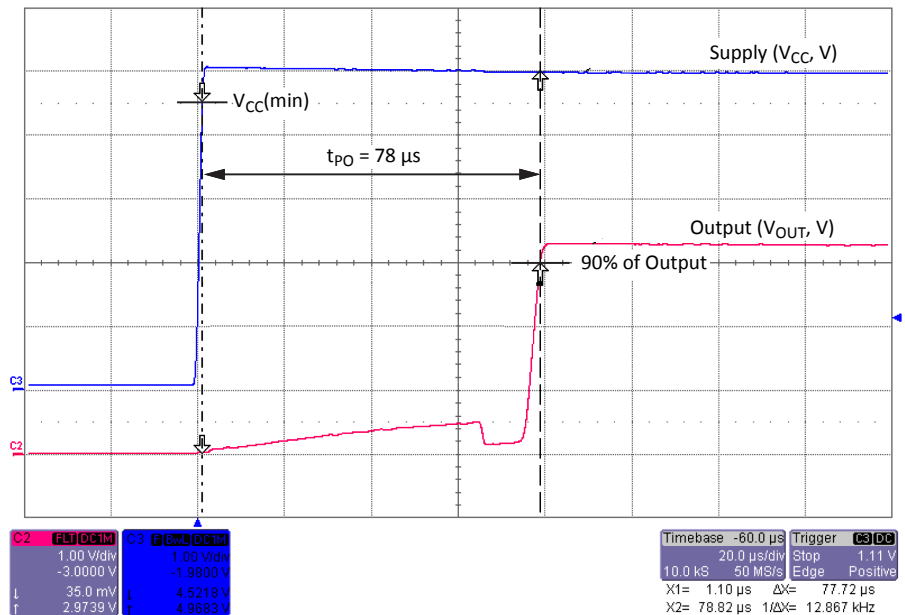
### Rise Time ( $t_R$ )

400 G excitation signal with 10%-90% rise time = 1  $\mu$ s  
Sensitivity = 2 mV/G,  $C_{BYPASS}=0.1 \mu$ F,  $C_L=1$  nF



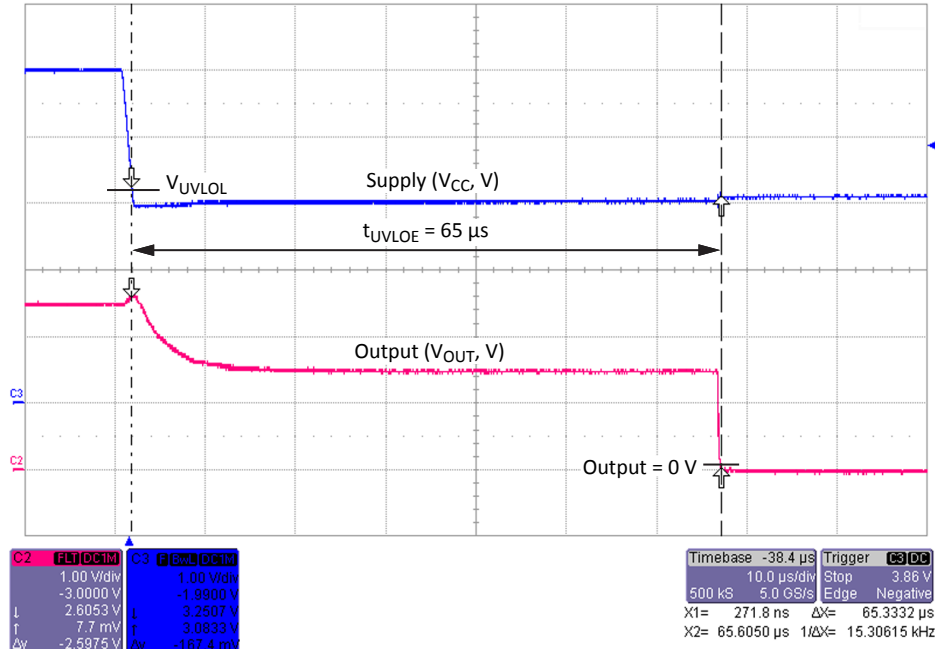
### Power-On Time ( $t_{PO}$ )

400 G constant excitation signal, with  $V_{CC}$  10%-90% rise time = 1.5  $\mu$ s  
Sensitivity = 2 mV/G,  $C_{BYPASS}$  = Open,  $C_L=1$  nF



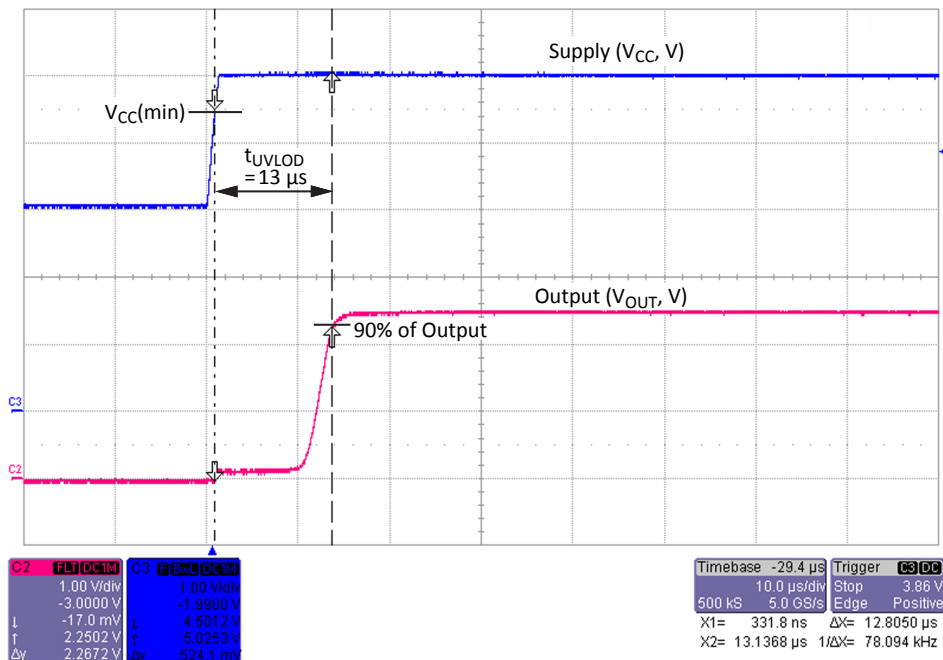
### UVLO Enable Time ( $t_{UVLOE}$ )

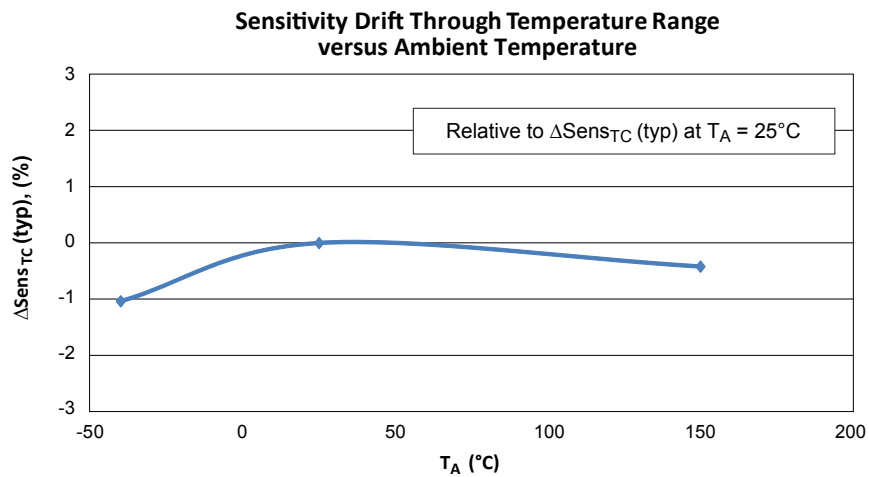
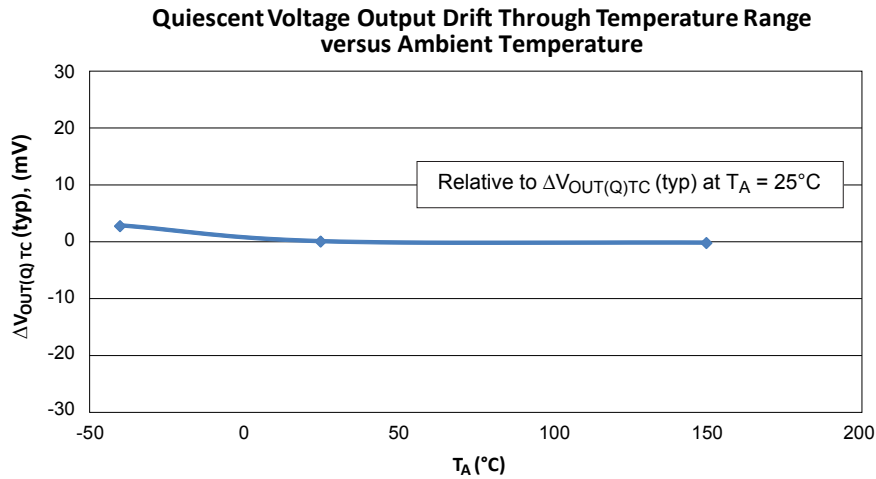
$V_{CC}$  5 V-3 V fall time = 1.5  $\mu$ s  
Sensitivity = 2 mV/G,  $C_{BYPASS}$ = Open,  $C_L$ =1 nF



### UVLO Disable Time ( $t_{UVLOD}$ )

$V_{CC}$  3 V-5 V recovery time = 1.5  $\mu$ s  
Sensitivity = 2 mV/G,  $C_{BYPASS}$ = Open,  $C_L$ =1 nF





### CHARACTERISTIC DEFINITIONS

**Power-On Time ( $t_{PO}$ )** When the supply is ramped to its operating voltage, the device requires a finite time to power its internal components before responding to an input magnetic field.

Power-On Time,  $t_{PO}$ , is defined as: the time it takes for the output voltage to settle within  $\pm 10\%$  of its steady state value under an applied magnetic field, after the power supply has reached its minimum specified operating voltage,  $V_{CC(min)}$ , as shown in Figure 1.

**Temperature Compensation Power-On Time ( $t_{TC}$ )** After Power-On Time,  $t_{PO}$ , elapses,  $t_{TC}$  is also required before a valid temperature compensated output.

**Propagation Delay ( $t_{PD}$ )** The time interval between a) when the applied magnetic field reaches 20% of its final value, and b) when the output reaches 20% of its final value (see figure 2).

**Rise Time ( $t_R$ )** The time interval between a) when the sensor IC reaches 10% of its final value, and b) when it reaches 90% of its final value (see Figure 2).

**Response Time ( $t_{RESPONSE}$ )** The time interval between a) when the applied magnetic field reaches 80% of its final value, and b) when the sensor reaches 80% of its output corresponding to the applied magnetic field (see Figure 3).

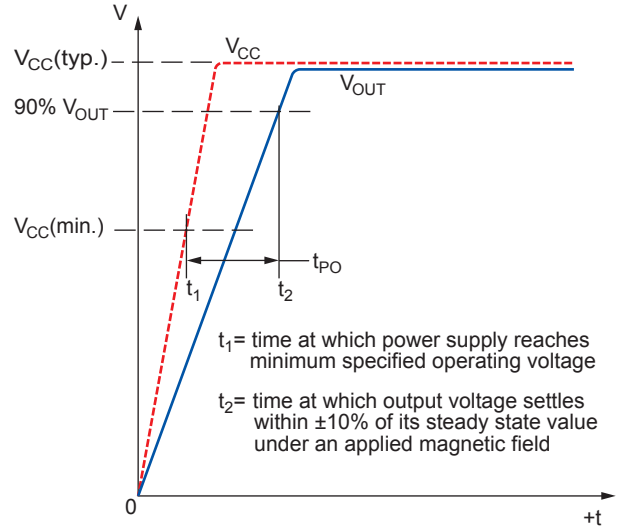


Figure 1: Power-on Time definition

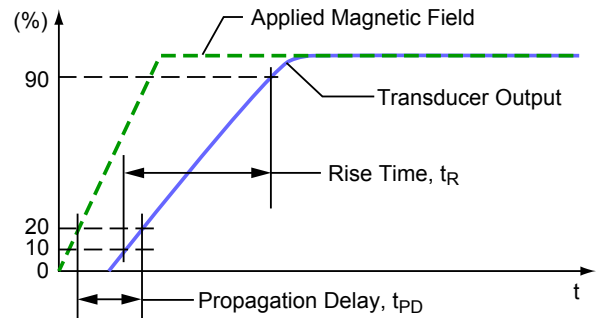


Figure 2: Propagation Delay and Rise Time definitions

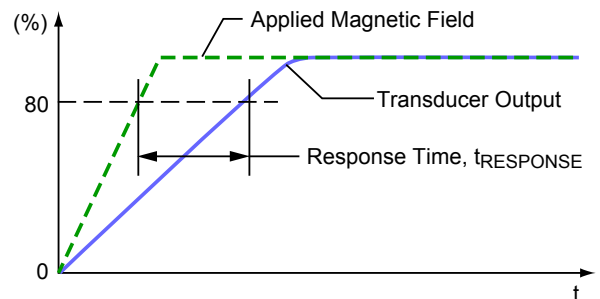


Figure 3: Response Time definition

**Delay to Clamp ( $t_{CLP}$ )** A large magnetic input step may cause the clamp to overshoot its steady state value. The Delay to Clamp,  $t_{CLP}$ , is defined as: the time it takes for the output voltage to settle within  $\pm 1\%$  of its steady state value, after initially passing through its steady state voltage, as shown in Figure 4.

**Quiescent Voltage Output ( $V_{OUT(Q)}$ )** In the quiescent state (no significant magnetic field:  $B = 0$  G), the output,  $V_{OUT(Q)}$ , has a constant ratio to the supply voltage,  $V_{CC}$ , throughout the entire operating ranges of  $V_{CC}$  and ambient temperature,  $T_A$ .

### Initial Unprogrammed Quiescent Voltage

**Output ( $V_{OUT(Q)init}$ )** Before any programming, the Quiescent Voltage Output,  $V_{OUT(Q)}$ , has a nominal value of  $V_{CC}/2$ , as shown in Figure 5.

### Quiescent Voltage Output Programming Range ( $V_{OUT(Q)PR}$ )

The Quiescent Voltage Output,  $V_{OUT(Q)}$ , can be programmed within the Quiescent Voltage Output Range limits:  $V_{OUT(Q)PR}$  (min) and  $V_{OUT(Q)PR}$  (max). Exceeding the specified Quiescent Voltage Output Range will cause Quiescent Voltage Output Drift Through Temperature Range  $\Delta V_{OUT(Q)TC}$  to deteriorate beyond the specified values, as shown in Figure 5.

**Average Quiescent Voltage Output Programming Step Size ( $Step_{V_{OUT(Q)}}$ )** The Average Quiescent Voltage Output Programming Step Size,  $Step_{V_{OUT(Q)}}$ , is determined using the following calculation:

$$Step_{V_{OUT(Q)}} = \frac{V_{OUT(Q)maxcode} - V_{OUT(Q)mincode}}{2^n - 1}, \quad (1)$$

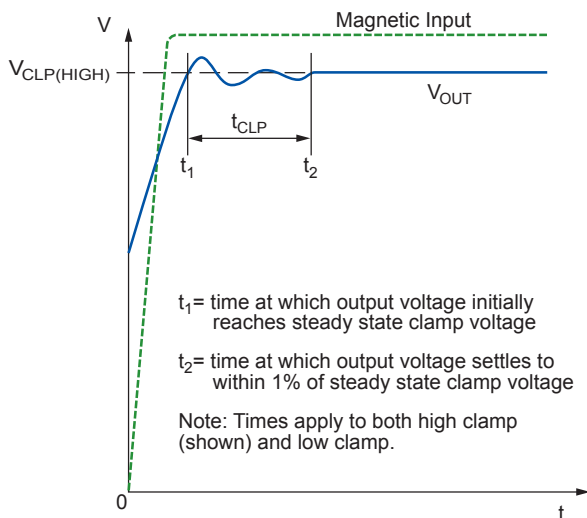


Figure 4: Delay to Clamp Definition

where  $n$  is the number of available programming bits in the trim range, 9 bits,  $V_{OUT(Q)maxcode}$  is at decimal code 255, and  $V_{OUT(Q)mincode}$  is at decimal code 256.

### Quiescent Voltage Output Programming Resolution

**( $Err_{PGV_{OUT(Q)}}$ )** The programming resolution for any device is half of its programming step size. Therefore, the typical programming resolution will be:

$$Err_{PGV_{OUT(Q)}}(typ) = 0.5 \times Step_{V_{OUT(Q)}}(typ) \quad (2)$$

### Quiescent Voltage Output Temperature Coefficient ( $TC_{QVO}$ )

Device  $V_{OUT(Q)}$  changes as temperature changes, with respect to its programmed Quiescent Voltage Output Temperature Coefficient,  $TC_{QVO}$ .  $TC_{QVO}$  is programmed at  $150^\circ\text{C}$ , and calculated relative to the nominal  $V_{OUT(Q)}$  programming temperature of  $25^\circ\text{C}$ .  $TC_{QVO}$  ( $\text{mV}/^\circ\text{C}$ ) is defined as:

$$TC_{QVO} = [V_{OUT(Q)T2} - V_{OUT(Q)T1}] / [1/(T2 - T1)] \quad (3)$$

where  $T1$  is the nominal  $V_{OUT(Q)}$  programming temperature of  $25^\circ\text{C}$ , and  $T2$  is the  $TC_{QVO}$  programming temperature of  $150^\circ\text{C}$ . The expected  $V_{OUT(Q)}$  through the full ambient temperature range,  $V_{OUT(Q)EXPECTED(TA)}$ , is defined as:

$$V_{OUT(Q)EXPECTED(TA)} = V_{OUT(Q)T1} + TC_{QVO}(T_A - T1) \quad (4)$$

$V_{OUT(Q)EXPECTED(TA)}$  should be calculated using the actual measured values of  $V_{OUT(Q)T1}$  and  $TC_{QVO}$  rather than programming target values.

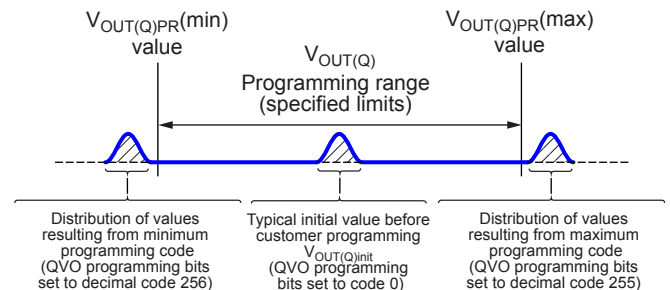


Figure 5: Quiescent Voltage Output Range Definition

**Quiescent Voltage Output Drift Through Temperature Range ( $\Delta V_{OUT(Q)TC}$ )** Due to internal component tolerances and thermal considerations, the Quiescent Voltage Output,  $V_{OUT(Q)}$ , may drift from its nominal value through the operating ambient temperature,  $T_A$ . The Quiescent Voltage Output Drift Through Temperature Range,  $\Delta V_{OUT(Q)TC}$ , is defined as:

$$\Delta V_{OUT(Q)TC} = V_{OUT(Q)(TA)} - V_{OUT(Q)EXPECTED(TA)} \quad (5)$$

$\Delta V_{OUT(Q)TC}$  should be calculated using the actual measured values of  $V_{OUT(Q)(TA)}$  and  $V_{OUT(Q)EXPECTED(TA)}$  rather than programming target values.

**Sensitivity (Sens)** The presence of a south polarity magnetic field, perpendicular to the branded surface of the package face, increases the output voltage from its quiescent value toward the supply voltage rail. The amount of the output voltage increase is proportional to the magnitude of the magnetic field applied.

Conversely, the application of a north polarity field decreases the output voltage from its quiescent value. This proportionality is specified as the magnetic sensitivity, Sens (mV/G), of the device, and it is defined as:

$$\text{Sens} = \frac{V_{OUT(BPOS)} - V_{OUT(BNEG)}}{BPOS - BNEG}, \quad (6)$$

where BPOS and BNEG are two magnetic fields with opposite polarities.

**Initial Unprogrammed Sensitivity ( $Sens_{init}$ )** Before any programming, Sensitivity has a nominal value that depends on the SENS\_COARSE bits setting. Each A1363 variant has a different SENS\_COARSE setting.

**Sensitivity Programming Range ( $Sens_{PR}$ )** The magnetic sensitivity, Sens, can be programmed around its initial value within the sensitivity range limits:  $Sens_{PR}(min)$  and  $Sens_{PR}(max)$ . Exceeding the specified Sensitivity Range will cause Sensitivity Drift Through Temperature Range  $\Delta Sens_{TC}$  to deteriorate beyond the specified values. Refer to the Quiescent Voltage Output Range section for a conceptual explanation of how value distributions and ranges are related.

**Average Fine Sensitivity Programming Step Size ( $Step_{SENS}$ )** Refer to the Average Quiescent Voltage Output Programming Step Size section for a conceptual explanation.

**Sensitivity Programming Resolution ( $Err_{PGSENS}$ )** Refer to the Quiescent Voltage Output Programming Resolution section for a conceptual explanation.

**Sensitivity Temperature Coefficient ( $TC_{SENS}$ )** Device sensitivity changes as temperature changes, with respect to its programmed sensitivity temperature coefficient,  $TC_{SENS}$ .  $TC_{SENS}$  is programmed at 150°C, and calculated relative to the nominal sensitivity programming temperature of 25°C.  $TC_{SENS}$  (%/°C) is defined as:

$$TC_{SENS} = \left( \frac{\text{Sens}_{T2} - \text{Sens}_{T1}}{\text{Sens}_{T1}} \times 100\% \right) \left( \frac{1}{T2 - T1} \right), \quad (7)$$

where  $T1$  is the nominal Sens programming temperature of 25°C, and  $T2$  is the  $TC_{SENS}$  programming temperature of 150°C. The expected value of Sens over the full ambient temperature range,  $Sens_{EXPECTED(TA)}$ , is defined as:

$$\text{Sens}_{EXPECTED(TA)} = \text{Sens}_{T1} \times [100\% + TC_{SENS} (T_A - T1)]. \quad (8)$$

$Sens_{EXPECTED(TA)}$  should be calculated using the actual measured values of  $Sens_{T1}$  and  $TC_{SENS}$  rather than programming target values.

**Sensitivity Drift Through Temperature Range ( $\Delta Sens_{TC}$ )** Second order sensitivity temperature coefficient effects cause the magnetic sensitivity, Sens, to drift from its expected value over the operating ambient temperature range,  $T_A$ . The Sensitivity Drift Through Temperature Range,  $\Delta Sens_{TC}$ , is defined as:

$$\Delta Sens_{TC} = \frac{\text{Sens}_{TA} - \text{Sens}_{EXPECTED(TA)}}{\text{Sens}_{EXPECTED(TA)}} \times 100\% \quad (9)$$

**Sensitivity Drift Due to Package Hysteresis ( $\Delta Sens_{PKG}$ )** Package stress and relaxation can cause the device sensitivity at  $T_A = 25^\circ\text{C}$  to change during and after temperature cycling. The sensitivity drift due to package hysteresis,  $\Delta Sens_{PKG}$ , is defined as:

$$\Delta Sens_{PKG} = \frac{\text{Sens}_{(25^\circ\text{C})2} - \text{Sens}_{(25^\circ\text{C})1}}{\text{Sens}_{(25^\circ\text{C})1}} \times 100\% \quad (10)$$

where  $\text{Sens}_{(25^\circ\text{C})1}$  is the programmed value of sensitivity at  $T_A = 25^\circ\text{C}$ , and  $\text{Sens}_{(25^\circ\text{C})2}$  is the value of sensitivity at  $T_A = 25^\circ\text{C}$ , after temperature cycling  $T_A$  up to 150°C and back to 25°C.

**Linearity Sensitivity Error ( $Lin_{ERR}$ )** The A1363 is designed to provide a linear output in response to a ramping applied magnetic field. Consider two magnetic fields, B1 and B2. Ideally, the sensitivity of a device is the same for both fields, for a given supply voltage and temperature. Linearity error is present when there is a difference between the sensitivities measured at B1 and B2.

**Linearity Error** is calculated separately for the positive ( $Lin_{ERRPOS}$ ) and negative ( $Lin_{ERRNEG}$ ) applied magnetic fields. Linearity Error (%) is measured and defined as:

$$\begin{aligned} Lin_{ERRPOS} &= \left(1 - \frac{Sens_{BPOS2}}{Sens_{BPOS1}}\right) \times 100\% \quad , \\ Lin_{ERRNEG} &= \left(1 - \frac{Sens_{BNEG2}}{Sens_{BNEG1}}\right) \times 100\% \quad , \end{aligned} \quad (11)$$

where:

$$Sens_{Bx} = \frac{|V_{OUT(Bx)} - V_{OUT(Q)}|}{B_x} \quad , \quad (12)$$

and BPOSx and BNEGx are positive and negative magnetic fields, with respect to the quiescent voltage output such that  $|BPOS2| = 2 \times |BPOS1|$  and  $|BNEG2| = 2 \times |BNEG1|$ .

Then:

$$Lin_{ERR} = \max(Lin_{ERRPOS}, Lin_{ERRNEG}) \quad . \quad (13)$$

**Symmetry Sensitivity Error ( $Sym_{ERR}$ )** The magnetic sensitivity of an A1363 device is constant for any two applied magnetic fields of equal magnitude and opposite polarities. Symmetry Error,  $Sym_{ERR}$  (%), is measured and defined as:

$$Sym_{ERR} = \left(1 - \frac{Sens_{BPOS}}{Sens_{BNEG}}\right) \times 100\% \quad , \quad (14)$$

where  $Sens_{Bx}$  is as defined in equation 12, and BPOSx and BNEGx are positive and negative magnetic fields such that  $|BPOSx| = |BNEGx|$ .

**Ratiometry Error ( $Rat_{ERR}$ )** The A1363 device features ratiometric output. This means that the Quiescent Voltage Output,  $V_{OUT(Q)}$ , magnetic sensitivity, Sens, and Output Voltage Clamp,  $V_{CLP(HIGH)}$  and  $V_{CLP(LOW)}$ , are proportional to the Supply Voltage,  $V_{CC}$ . In other words, when the supply voltage increases or decreases by a certain percentage, each characteristic also

increases or decreases by the same percentage. Error is the difference between the measured change in the supply voltage relative to 5 V, and the measured change in each characteristic.

The ratiometric error in Quiescent Voltage Output,  $Rat_{ERRVOUT(Q)}$  (%), for a given supply voltage,  $V_{CC}$ , is defined as:

$$Rat_{ERRVOUT(Q)} = \left(1 - \frac{V_{OUT(Q)(VCC)} / V_{OUT(Q)(5V)}}{V_{CC} / 5V}\right) \times 100\% \quad (15)$$

The ratiometric error in magnetic sensitivity,  $Rat_{ERRSens}$  (%), for a given Supply Voltage,  $V_{CC}$ , is defined as:

$$Rat_{ERRSens} = \left(1 - \frac{Sens_{(VCC)} / Sens_{(5V)}}{V_{CC} / 5V}\right) \times 100\% \quad . \quad (16)$$

The ratiometric error in the clamp voltages,  $Rat_{ERRCLP}$  (%), for a given supply voltage,  $V_{CC}$ , is defined as:

$$Rat_{ERRCLP} = \left(1 - \frac{V_{CLP(VCC)} / V_{CLP(5V)}}{V_{CC} / 5V}\right) \times 100\% \quad , \quad (17)$$

where  $V_{CLP}$  is either  $V_{CLP(HIGH)}$  or  $V_{CLP(LOW)}$ .

**Power-On Reset Voltage ( $V_{POR}$ )** On power-up, to initialize to a known state and avoid current spikes, the A1363 is held in Reset state. The Reset signal is disabled when  $V_{CC}$  reaches  $V_{UVLOH}$  and time  $t_{PORR}$  has elapsed, allowing output voltage to go from a high impedance state into normal operation. During power-down, the Reset signal is enabled when  $V_{CC}$  reaches  $V_{PORL}$ , causing output voltage to go into a high impedance state. (Note that detailed description of POR and UVLO operation can be found in the Functional Description section).

**Power-On Reset Release Time ( $t_{PORR}$ )** When  $V_{CC}$  rises to  $V_{PORH}$ , the Power-On Reset Counter starts. The A1363 output voltage will transition from a high impedance state to normal operation only when the Power-On Reset Counter has reached  $t_{PORR}$  and  $V_{CC}$  has exceeded  $V_{UVLOH}$ .

**Undervoltage Lockout Threshold ( $V_{UVLO}$ )** If  $V_{CC}$  drops below  $V_{UVLOL}$  output voltage will be locked to GND. If  $V_{CC}$  starts rising A1363 will come out of Lock state when  $V_{CC}$  reaches  $V_{UVLOH}$ .

**UVLO Enable/Disable Delay Time ( $t_{UVLO}$ )** When a falling  $V_{CC}$  reaches  $V_{UVLOL}$ , time  $t_{UVLOE}$  is required to engage Undervoltage Lockout state. When  $V_{CC}$  rises above  $V_{UVLOH}$ , time  $t_{UVLOD}$  is required to disable UVLO and have a valid output voltage.

**Output Saturation Voltage ( $V_{SAT}$ )** When output voltage clamps are disabled, output voltage can swing to a maximum of  $V_{SAT(HIGH)}$  and to a minimum of  $V_{SAT(LOW)}$ .

**Broken Wire Voltage ( $V_{BRK}$ )** If the GND pin is disconnected (broken wire event), output voltage will go to  $V_{BRK(HIGH)}$  (if a load resistor is connected to VCC) or to  $V_{BRK(LOW)}$  (if a load resistor is connected to GND).



## FUNCTIONAL DESCRIPTION

### Programming Sensitivity and Quiescent Voltage Output

Sensitivity and  $V_{OUT(Q)}$  can be adjusted by programming SENS\_FINE and QVO bits, as illustrated in Figures 6 and 7.

Customers should not program sensitivity or  $V_{OUT(Q)}$  beyond the maximum or minimum programming ranges specified in the Operating Characteristics table. Exceeding the specified limits will cause sensitivity and  $V_{OUT(Q)}$  drift through temperature range,  $\Delta Sens_{TC}$  and  $\Delta V_{OUT(Q)TC}$ , to deteriorate beyond the specified values.

Programming sensitivity might cause a small drift in  $V_{OUT(Q)}$ . As a result, Allegro recommends programming sensitivity first, then  $V_{OUT(Q)}$ .

### Coarse Sensitivity

Each A1363 variant is programmed to a different coarse sensitivity setting. Devices are tested and temperature compensation is factory programmed under that specific coarse sensitivity setting. If the coarse sensitivity setting is changed, by programming SENS\_COARSE bits, Allegro can not guarantee the specified sensitivity drift through temperature range limits,  $\Delta Sens_{TC}$ .

### Memory Locking Mechanisms

The A1363 is equipped with two distinct memory locking mechanisms:

- Default Lock** At power-up, all registers of the A1363 are locked by default. EEPROM and volatile memory cannot be read or written. To disable Default Lock, a very specific 30 bits customer access code has to be written to address 0x24 within Access Code Time Out,  $t_{ACC} = 8$  ms, from power-up. At this point, registers can be accessed. If VCC is power cycled, the Default Lock will automatically be re-enabled. This ensures that during normal operation, memory content will not be altered due to unwanted glitches on VCC or the output pin.
- Lock Bit** After EEPROM has been programmed by the customer, the EELOCK bit can be set high and VCC power cycled to permanently disable the ability to read or write any register. This will prevent the ability to disable Default Lock using the method described above. Please note that after EELOCK bit is set high and VCC pin power cycled, the customer will not have the ability to clear the EELOCK bit or to read/write any register.

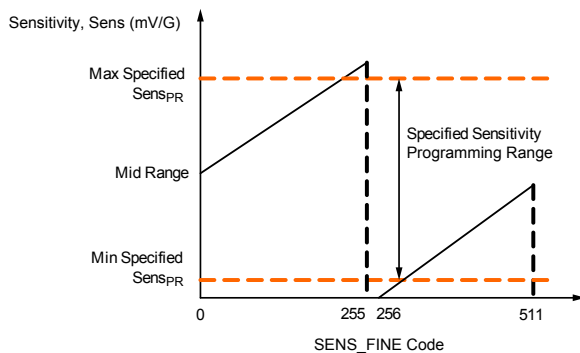


Figure 6: Device Sensitivity versus SENS\_FINE Programmed Value

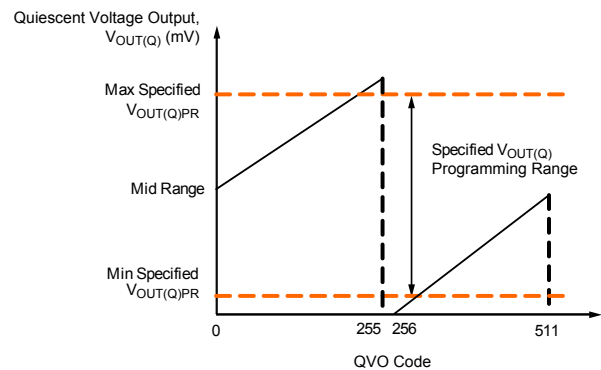


Figure 7: Device  $V_{OUT(Q)}$  versus QVO Programmed Value

### Power-On Reset (POR) and Undervoltage Lock-Out (UVLO) Operation

The descriptions in this section assume: temperature = 25°C, no output load ( $R_L$ ,  $C_L$ ), and no significant magnetic field is present.

- Power-Up** At power-up, as  $V_{CC}$  ramps up, the output is in a high impedance state. When  $V_{CC}$  crosses  $V_{PORH}$  (location [1] in Figure 8 and [1'] in figure 9), the POR Release counter starts counting for  $t_{PORR}$ . At this point, if  $V_{CC}$  exceeds  $V_{UVLOH}$  [2'], the output will go to  $V_{CC}/2$  after  $t_{UVLOD}$  [3']. If  $V_{CC}$

does not exceed  $V_{UVLOH}$  [2], the output will stay in the high impedance state until  $V_{CC}$  reaches  $V_{UVLOH}$  [3] and then will go to  $V_{CC}/2$  after  $t_{UVLOD}$  [4].

- $V_{CC}$  drops below  $V_{CC(min)} = 4.5\text{ V}$**  If  $V_{CC}$  drops below  $V_{UVLOL}$  [4', 5], the UVLO Enable Counter starts counting. If  $V_{CC}$  is still below  $V_{UVLOL}$  when counter reaches  $t_{UVLOE}$ , the UVLO function will be enabled and the output will be pulled near GND [6]. If  $V_{CC}$  exceeds  $V_{UVLOL}$  before the UVLO Enable Counter reaches  $t_{UVLOE}$  [5'], the output will continue to be  $V_{CC}/2$ .

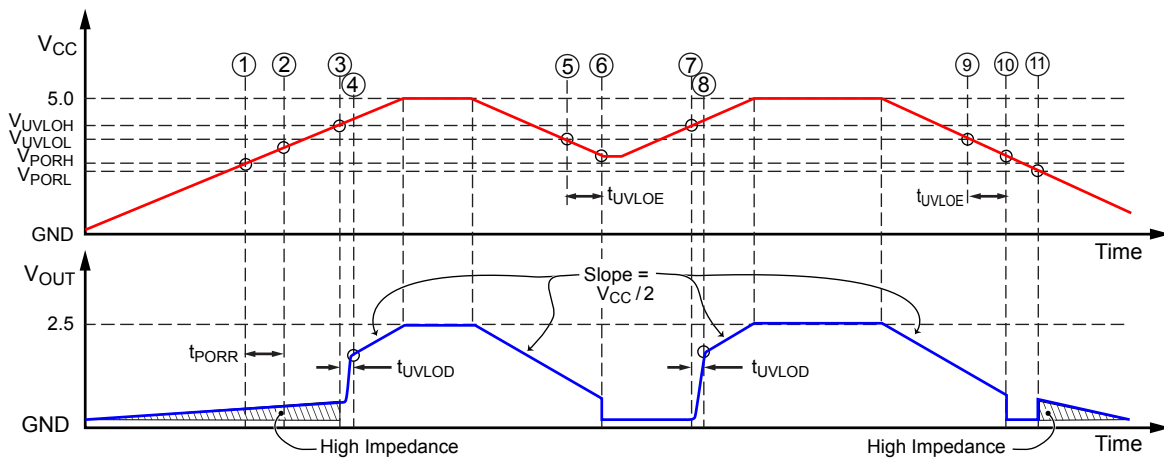


Figure 8: POR and UVLO Operation: Slow Rise Time Case

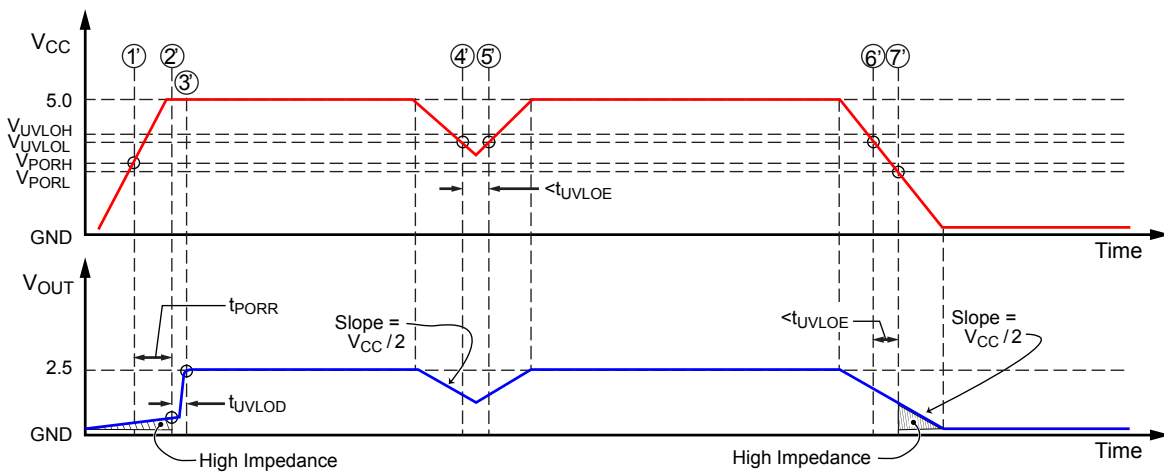


Figure 9: POR and UVLO Operation: Fast Rise Time Case

- **Coming out of UVLO** While UVLO is enabled [6], if  $V_{CC}$  exceeds  $V_{UVLOH}$  [7], UVLO will be disabled after  $t_{UVLOD}$ , and the output will be  $V_{CC}/2$  [8].
- **Power-Down** As  $V_{CC}$  ramps down below  $V_{UVLOL}$  [6, 9], the UVLO Enable Counter will start counting. If  $V_{CC}$  is higher than  $V_{PORL}$  when the counter reaches  $t_{UVLOE}$ , the UVLO function will be enabled and the output will be pulled near GND [10]. The output will enter a high impedance state as  $V_{CC}$  goes below  $V_{PORL}$  [11]. If  $V_{CC}$  falls below  $V_{PORL}$  before the UVLO Enable Counter reaches  $t_{UVLOE}$ , the output will transition directly into a high impedance state [7].

### Detecting Broken Ground Wire

If the GND pin is disconnected, node A becoming open (Figure 11), the VOUT pin will go to a high impedance state. Output voltage will go to  $V_{BRK(HIGH)}$  if a load resistor  $R_{L(PULLUP)}$  is connected to  $V_{CC}$  or to  $V_{BRK(LOW)}$  if a load resistor  $R_{L(PULLDWN)}$  is connected to GND. The device will not respond to any applied magnetic field.

If the ground wire is reconnected, A1363 will resume normal operation.

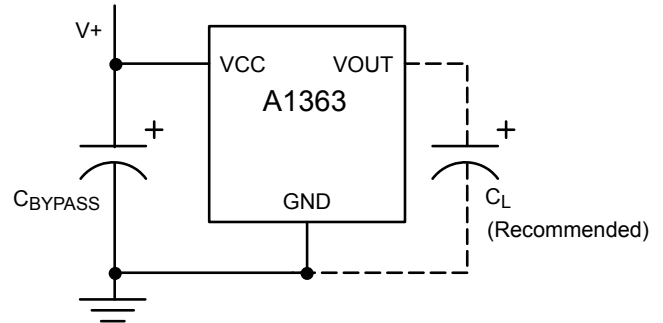


Figure 10: Typical Application Drawing

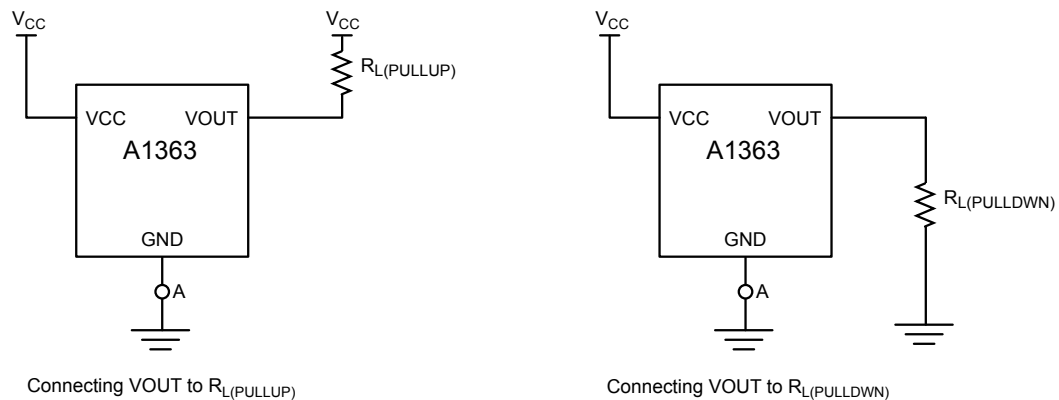


Figure 11: Connections for Detecting Broken Ground Wire

### Chopper Stabilization Technique

When using Hall-effect technology, a limiting factor for total accuracy is the small signal voltage developed across the Hall element. This voltage is disproportionately small relative to the offset that can be produced at the output of the Hall sensor. This makes it difficult to process the signal while maintaining an accurate, reliable output over the specified operating temperature and voltage ranges. Chopper stabilization is a unique approach used to minimize Hall offset on the chip.

The patented Allegro technique removes key sources of the output drift induced by thermal and mechanical stresses. This offset reduction technique is based on a signal modulation-demodulation process. The undesired offset signal is separated from the magnetic field-induced signal in the frequency domain, through modulation. The subsequent demodulation acts as a modulation process for the offset, causing the magnetic field-induced signal

to recover its original spectrum at base band, while the DC offset becomes a high-frequency signal. The magnetic-sourced signal then can pass through a low-pass filter, while the modulated DC offset is suppressed. This high-frequency operation allows a greater sampling rate, which results in higher accuracy and faster signal-processing capability. This approach desensitizes the chip to the effects of thermal and mechanical stresses, and produces devices that have extremely stable quiescent Hall output voltages and precise recoverability after temperature cycling. This technique is made possible through the use of a BiCMOS process, which allows the use of low-offset, low-noise amplifiers in combination with high-density logic integration and a proprietary, dynamic notch filter. The new Allegro filtering techniques are far more effective at suppressing chopper induced signal noise compared to the previous generation of Allegro chopper stabilized devices.

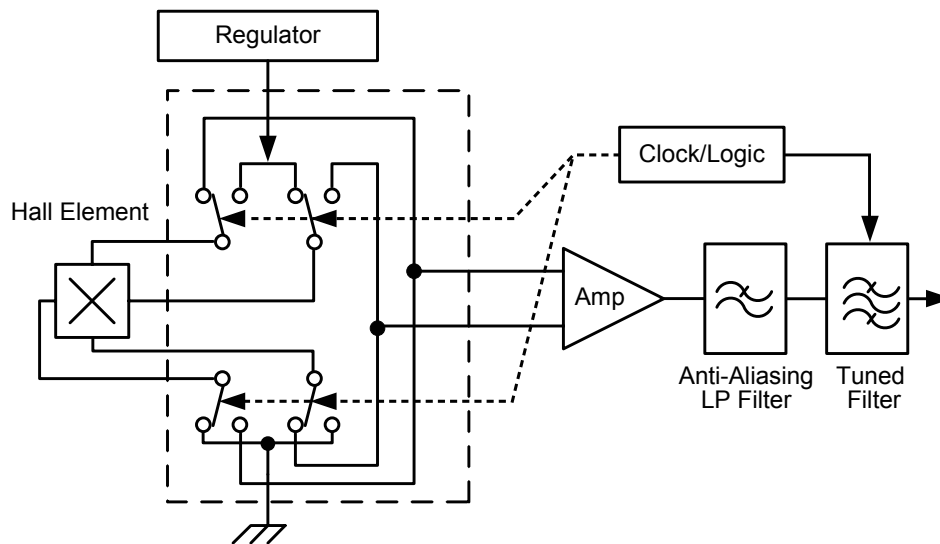


Figure 12: Concept of Chopper Stabilization

### Programming Serial Interface

The A1363 incorporates a serial interface that allows an external controller to read and write registers in the EEPROM and volatile memory. The A1363 uses a point-to-point communication protocol, based on Manchester encoding per G. E. Thomas (a rising edge indicates 0 and a falling edge indicates 1), with address and data transmitted MSB first.

### TRANSACTION TYPES

Each transaction is initiated by a command from the controller; the A1363 does not initiate any transactions. Three commands are recognized by the A1363: Write Access Code, Write, and Read. One response frame type is generated by the A1363, Read Acknowledge. If the command is Read, the A1363 responds by transmitting the requested data in a Read Acknowledge frame. If the command is any other type, the A1363 does not acknowledge. As shown in Figure 13, the A1363 receives all commands via the VCC pin. It responds to Read commands via the VOUT pin. This implementation of Manchester encoding requires the communication pulses be within a high ( $V_{MAN(H)}$ ) and low ( $V_{MAN(L)}$ ) range of voltages for the VCC line and the VOUT line. The Write command to EEPROM is supported by two high voltage pulses on the VOUT line.

### WRITING THE ACCESS CODE

In order for the external controller to write or read from the A1363 memory during the current session, it must establish serial communication with the A1363 by sending a Write command including the Access Code within Access Code Time Out,  $t_{ACC}$ , from power-up. If this deadline is missed, all write and read access is disabled until the next power-up.

### WRITING TO VOLATILE MEMORY

In order for the external controller to write to volatile memory, a Write command must be transmitted on the VCC pin. Successive Write commands to volatile memory must be separated by  $t_{WRITE}$ . The required sequence is shown in Figure 14.

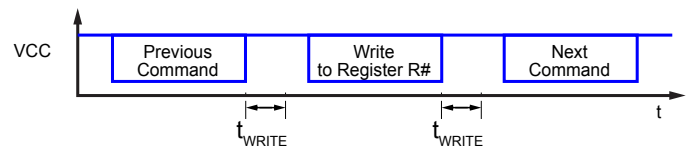


Figure 14: Writing to Volatile Memory

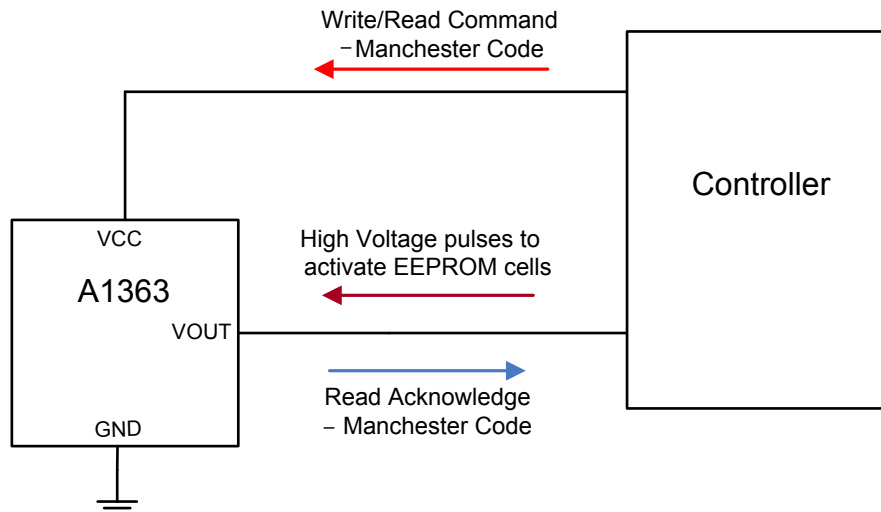


Figure 13. Top Level Programming Interface

### WRITING TO EEPROM

In order for the external controller to write to non-volatile EEPROM, a Write command must be transmitted on the VCC pin. The controller must also send two Programming pulses, long high-voltage strobcs, via the VOUT pin. These strobcs are detected internally, allowing the A1363 to boost the voltage on the EEPROM gates. The required sequence is shown in Figures 15 and 16.

To ensure EEPROM integrity over life time, EEPROM should not be exposed to more than 100 Write cycles.

### READING FROM EEPROM OR VOLATILE MEMORY

In order for the external controller to read from EEPROM or volatile memory, a Read command must be transmitted on the VCC line. Within time  $t_{start\_read}$ , the VOUT line will stop responding

to the magnetic field and the Read Acknowledge frame will be transmitted on the VOUT line. The Read Acknowledge frame contains Read data.

After the Read Acknowledge frame has been received from the A1363, the VOUT line resumes normal operation after time  $t_{READ}$ . The required sequence is shown in Figure 17.

### ERROR CHECKING

The serial interface uses a cyclic redundancy check (CRC) for data-bit error checking (synchronization bits are ignored during the check). The CRC algorithm is based on the polynomial  $g(x) = x^3 + x + 1$ , and the calculation is represented graphically in Figure 18. The trailing 3 bits of a message frame comprise the CRC token. The CRC is initialized at 111. If the serial interface receives a command with a CRC error, the command is ignored.

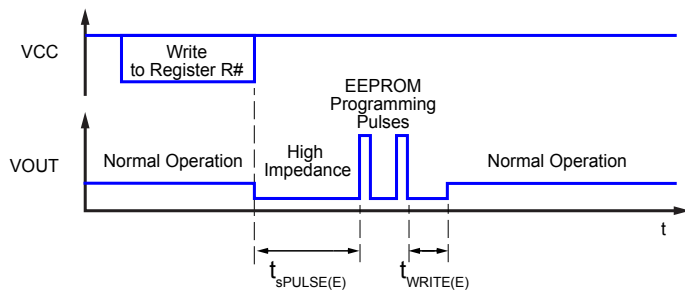


Figure 15: Writing to EEPROM

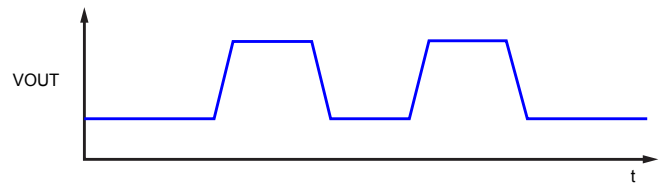


Figure 16: EEPROM Programming Pulses

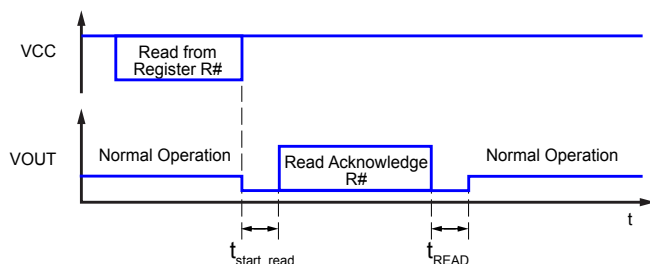


Figure 17: Reading from EEPROM or Volatile Memory

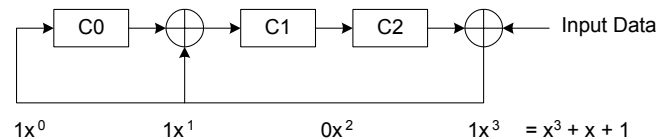


Figure 18: CRC Calculation

### SERIAL INTERFACE REFERENCE

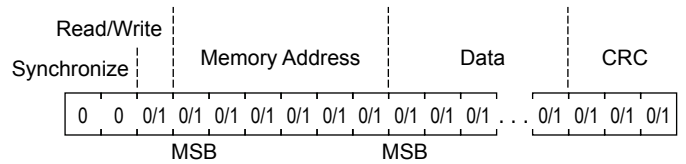
Required timing parameters for successful serial communication with A1363 device are given in table below.

**Table 1: Required Serial Interface Timing Parameters**

| Characteristics                     | Symbol            | Note                                                                                                                          | Min.                               | Typ.                               | Max.                                | Unit    |
|-------------------------------------|-------------------|-------------------------------------------------------------------------------------------------------------------------------|------------------------------------|------------------------------------|-------------------------------------|---------|
| <b>INPUT/OUTPUT SIGNAL TIMING</b>   |                   |                                                                                                                               |                                    |                                    |                                     |         |
| Access Code Time Out                | $t_{ACC}$         | Customer Access Code should be fully entered in less than $t_{ACC}$ , measured from when $V_{CC}$ crosses $V_{UVLOH}$ .       | –                                  | –                                  | 8                                   | ms      |
| Bit Rate                            | $t_{BITR}$        | Defined by the input message bit rate sent from the external controller                                                       | 32                                 | –                                  | 80                                  | kbps    |
| Bit Time                            | $t_{BIT}$         | Data bit pulse width at 70 kbps                                                                                               | 13.6                               | 14.3                               | 15                                  | $\mu$ s |
| Bit Time Error                      | $err_{TBIT}$      | Deviation in $t_{BIT}$ during one command frame                                                                               | –11                                | –                                  | + 11                                | %       |
| Volatile Memory Write Delay         | $t_{WRITE}$       | Required delay from the trailing edge of certain Write command frames to the leading edge of a following command frame        | $2 \times t_{BIT}$                 | –                                  | –                                   | $\mu$ s |
| Non-Volatile Memory Write Delay     | $t_{WRITE(E)}$    | Required delay from the trailing edge of the second EEPROM Programming pulse to the leading edge of a following command frame | $2 \times t_{BIT}$                 | –                                  | –                                   | $\mu$ s |
| Read Acknowledge Delay              | $t_{READ}$        | Required delay from the trailing edge of a Read Acknowledge frame to the leading edge of a following command frame            | $2 \times t_{BIT}$                 | –                                  | –                                   | $\mu$ s |
| Read Delay                          | $t_{start\_read}$ | Delay from the trailing edge of a Read command frame to the leading edge of the Read Acknowledge frame                        | $25 \mu$ s – $0.25 \times t_{BIT}$ | $50 \mu$ s – $0.25 \times t_{BIT}$ | $150 \mu$ s – $0.25 \times t_{BIT}$ | $\mu$ s |
| <b>EEPROM PROGRAMMING PULSE</b>     |                   |                                                                                                                               |                                    |                                    |                                     |         |
| EEPROM Programming Pulse Setup Time | $t_{SPULSE(E)}$   | Delay from last edge of write command to start of EEPROM programming pulse                                                    | 40                                 | –                                  | –                                   | $\mu$ s |
| <b>INPUT/OUTPUT SIGNAL VOLTAGE</b>  |                   |                                                                                                                               |                                    |                                    |                                     |         |
| Manchester Code High Voltage        | $V_{MAN(H)}$      | Applied to VCC line                                                                                                           | 5.1                                | –                                  | –                                   | V       |
|                                     |                   | Read from VOUT line                                                                                                           | $V_{CC} - 0.2$ V                   | –                                  | –                                   | V       |
| Manchester Code Low Voltage         | $V_{MAN(L)}$      | Applied to VCC line                                                                                                           | –                                  | –                                  | 3.9                                 | V       |
|                                     |                   | Read from VOUT line                                                                                                           | –                                  | –                                  | 0.2                                 | V       |
| Manchester Level to VCC Delay       | $t_{MAN\_VCC}$    |                                                                                                                               | –                                  | –                                  | 15                                  | $\mu$ s |

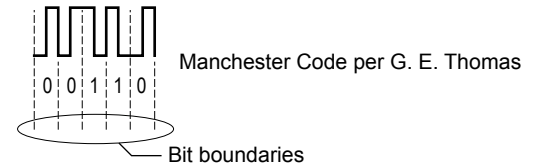
### SERIAL INTERFACE MESSAGE STRUCTURE

The general format of a command message frame is shown in Figure 19. Note that, in the Manchester coding used, a bit value of one is indicated by a falling edge within the bit boundary, and a bit value of zero is indicated by a rising edge within the bit boundary.

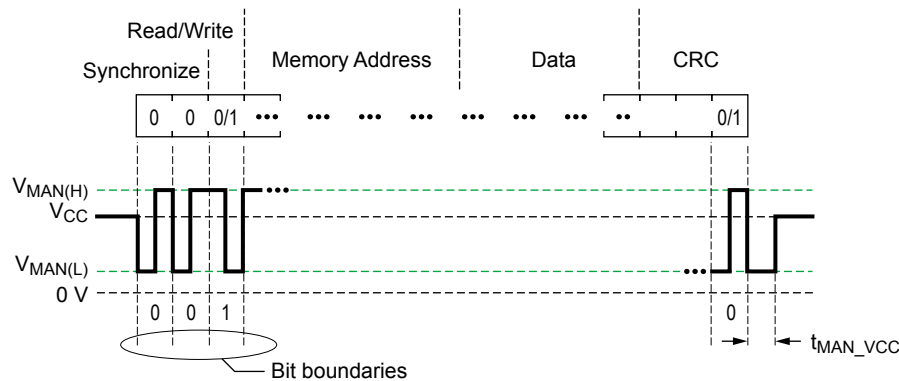


### V<sub>CC</sub> LEVELS DURING MANCHESTER COMMUNICATION

For all devices with UVLO functionality, after power-up it is important that the V<sub>CC</sub> pin be held at V<sub>CC</sub> until the first Synchronization pulse of a read/write transaction is sent (see Figure 20). During the transaction, the V<sub>CC</sub> pin varies between V<sub>MAN(H)</sub> and V<sub>MAN(L)</sub>, but right after the last CRC bit has been sent, the controller must bring the V<sub>CC</sub> pin back to the V<sub>CC</sub> level in less than t<sub>MAN\_VCC</sub>. This is important in order to avoid triggering the UVLO functionality during EEPROM read/write.



**Figure 19: General Format for Serial Interface Commands**



**Figure 20: V<sub>CC</sub> Levels During Manchester Communication**

**Table 2: Serial Interface Command General Format**

| Quantity of Bits | Parameter Name  | Values | Description                                                  |
|------------------|-----------------|--------|--------------------------------------------------------------|
| 2                | Synchronization | 00     | Used to identify the beginning of a serial interface command |
| 1                | Read/Write      | 0      | [As required] Write operation                                |
|                  |                 | 1      | [As required] Read operation                                 |
| 6                | Address         | 0/1    | [Read/Write] Register address (volatile memory or EEPROM)    |
| 30               | Data            | 0/1    | 24 data bits and 6 ECC bits                                  |
| 3                | CRC             | 0/1    | Incorrect value indicates errors                             |



### Read (Controller to A1363)

The fields for the read command are:

- Sync (2 zero bits)
- Read/Write (1 bit, must be 1 for read)
- Address (6 bits) - ADDR[5] is 0 for EEPROM, 1 for register.
- CRC (3 bits)

Figure 21 shows the sequence for a Read Command.

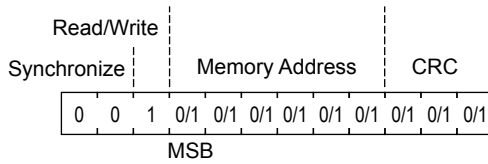


Figure 21: Read Sequence

### Read Acknowledge (A1363 to Controller)

The fields for the data return frame is:

- Sync (2 zero bits)
- Data (30 bits: [29:26] Don't Care, [25:24] ECC Pass/Fail, [23:0] Data)
- CRC (3 bits)

Figure 22 shows the sequence for a Read Acknowledge. Refer to the Detecting ECC Error section for instructions on how to detect and ECC failure.

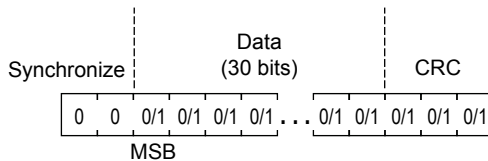


Figure 22: Read Acknowledge Sequence

### Write (Controller to A1363)

The fields for the write command are:

- Sync (2 zero bits)
- Read/Write (1 bit, must be 0 for write)
- Address (6 bits) - ADDR[5] is 0 for EEPROM, 1 for register. Refer to the address map.
- Data (30 bits: [29:24] Don't Care, [23:0] Data)
- CRC (3 bits)

Figure 23 shows the sequence for a Write Command. Bits [29:24] are Don't Care because the A1363 automatically generates 6 ECC bits based on the content of bits [23:0]. These ECC bits will be stored in EEPROM at locations [29:24].

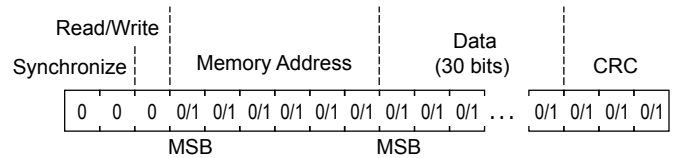


Figure 23: Write Sequence

### Write Access Code (Controller to A1363)

The fields for the Access Code command are:

- Sync (2 zero bits)
- Read/Write (1 bit, must be 0 for write)
- Address (6 bits) (Address 0X24 for Customer Access)
- Data - 30 bits (0x2781\_1F77 for Customer Access)
- CRC (3 bits)

Figure 24 shows the sequence for an Access Code Command.

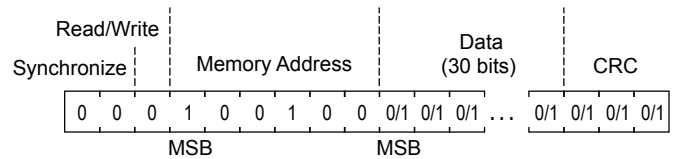


Figure 24: Access Code Write Sequence

The controller has to open the serial communication with the A1363 device by sending an Access Code. It has to be sent within Access Code Time Out,  $t_{ACC}$ , from power-up or the device will be disabled for read and write access.

Table 3: Access Codes Information

| Name     | Serial Interface Format |             |
|----------|-------------------------|-------------|
|          | Register Address (Hex)  | Data (Hex)  |
| Customer | 0x24                    | 0x2781_1F77 |

**Table 4: Memory Address Map**

| Register Name                                    | Address | Description                                                         | r/w | Bits | Location |
|--------------------------------------------------|---------|---------------------------------------------------------------------|-----|------|----------|
| <b>CUSTOMER ACCESS EEPROM</b>                    |         |                                                                     |     |      |          |
| SENS_FINE [1]                                    | 0x00    | Sensitivity, two's complement DAC profile                           | r/w | 9    | 8:0      |
| SENS_COARSE                                      |         | Coarse Sensitivity                                                  | r/w | 2    | 10:9     |
| QVO [1]                                          |         | Quiescent Output Voltage, two's complement DAC profile              | r/w | 9    | 19:11    |
| (Factory reserved) [2]                           |         | Factory reserved bit                                                | r/w | 1    | 20       |
| POL                                              |         | Reverses output polarity                                            | r/w | 1    | 21       |
| CLAMP_DIS                                        |         | Clamp Disable                                                       | r/w | 1    | 22       |
| EELOCK                                           |         | EEPROM LOCK                                                         | w   | 1    | 23       |
| ID_C [3]                                         | 0x01    | Customer Reserved                                                   | r/w | 24   | 23:0     |
| <b>CUSTOMER DEBUG REGISTER (VOLATILE MEMORY)</b> |         |                                                                     |     |      |          |
| Disable Analog Output                            | 0x10    | Turns off the analog output for serial communications               | w   | 1    | 0        |
| Shadow Enable                                    |         | Enables register shadowing to bypass EEPROM register 0x00 bits 22:0 | w   | 1    | 1        |

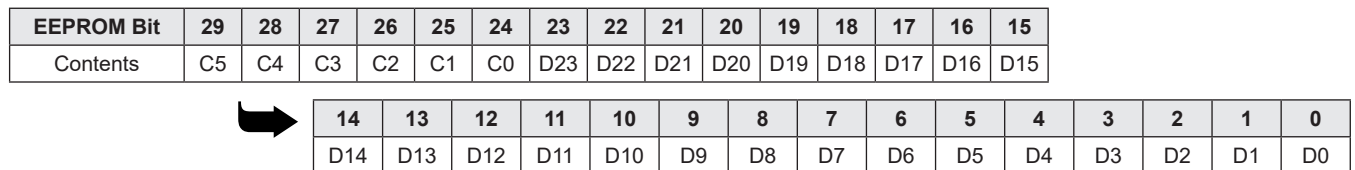
[1] 9-bit two's complement integers, where the most positive number is indicated by code 255 (decimal) and the most negative number by code 256 (decimal).

[2] Customer should not write to this bit.

[3] Can be used to store any information required in the customer's application.

### EEPROM CELL ORGANIZATION

Programming coefficients are stored in non-volatile EEPROM, which is separate from the digital subsystem, and accessed by the digital subsystem EEPROM Controller module. The EEPROM is organized as 30 bit wide words, each word is made up of 24 data bits and 6 ECC (Error Checking and Correction) check bits, stored as shown in table below.



**Figure 25: EEPROM Word Bit Sequence; C# – Check Bit, D# – Data Bit**

### EEPROM ERROR CHECKING AND CORRECTION (ECC)

Hamming code methodology is implemented for EEPROM checking and correction. The device has ECC enabled after power-up.

The device always returns 30 bits.

The message received from controller is analyzed by the device EEPROM driver and ECC bits are added. The first 6 received bits from device to controller are dedicated to ECC.

### DETECTING ECC ERROR

If an uncorrectable error has occurred, bits 25:24 are set to 10, the VOUT pin will go to a high impedance state, and the device will not respond to the applied magnetic field. Output voltage will go to  $V_{BRK(HIGH)}$  if a load resistor  $R_{L(PULLUP)}$  is connected to  $V_{CC}$  or to  $V_{BRK(LOW)}$  if a load resistor  $R_{L(PULLDOWN)}$  is connected to GND.

**Table 5: EEPROM ECC Errors**

| Bits  | Name    | Description                               |
|-------|---------|-------------------------------------------|
| 29:26 | –       | No meaning                                |
|       |         | 00 = No Error                             |
|       |         | 01 = Error Detected and message corrected |
| 25:24 | ECC     | 10 = Uncorrectable error                  |
|       |         | 11 = No meaning                           |
| 23:0  | D[23:0] | EPROM data                                |

### PACKAGE OUTLINE DRAWING

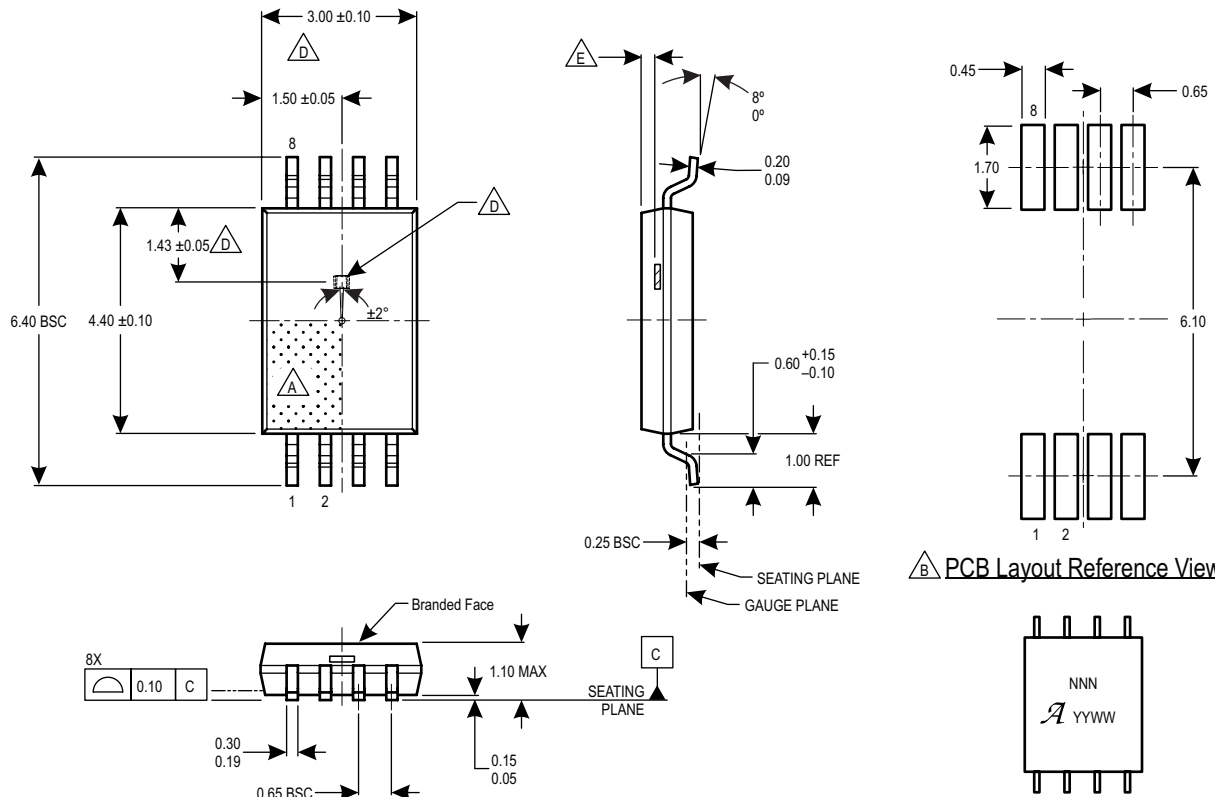
#### For Reference Only – Not for Tooling Use

(Reference MO-153 AA)

NOT TO SCALE

Dimensions in millimeters

Dimensions exclusive of mold flash, gate burrs, and dambar protrusions  
Exact case and lead configuration at supplier discretion within limits shown



- A** Terminal #1 mark area
- B** Reference land pattern layout (reference IPC7351 SOP65P640X110-8M); all pads a minimum of 0.20 mm from all adjacent pads; adjust as necessary to meet application process requirements and PCB layout tolerances; when mounting on a multilayer PCB, thermal vias can improve thermal dissipation (reference EIA/JEDEC Standard JESD51-5)
- C** Branding scale and appearance at supplier discretion
- D** Hall element, not to scale
- E** Active Area Depth 0.36 mm REF

#### **C** Standard Branding Reference View

N = Last 3 digits of device part number  
 A = Supplier emblem  
 Y = Last 2 digits of year of manufacture  
 W = Week of manufacture

Figure 26: Package LU, 8-Pin TSSOP

### Revision History

| Number | Date               | Description                                                                                         |
|--------|--------------------|-----------------------------------------------------------------------------------------------------|
| –      | January 24, 2014   | Initial Release                                                                                     |
| 1      | September 3, 2014  | Revised Selection Guide                                                                             |
| 2      | September 10, 2014 | Updated $Rat_{ERRSens}$ Limits                                                                      |
| 3      | November 4, 2014   | Revised part numbers in selection guide                                                             |
| 4      | December 16, 2015  | Revised Sensitivity Drift Through Temperature Range electrical characteristic and added footnote 20 |
| 5      | August 22, 2018    | Updated Pinout Diagram and Terminal List (page 3).                                                  |
| 6      | May 1, 2019        | Updated bandwidth from 120 kHz to 90 kHz.                                                           |
| 7      | August 27, 2019    | Added ESD ratings table (page 3)                                                                    |

Copyright 2019, Allegro MicroSystems.

Allegro MicroSystems reserves the right to make, from time to time, such departures from the detail specifications as may be required to permit improvements in the performance, reliability, or manufacturability of its products. Before placing an order, the user is cautioned to verify that the information being relied upon is current.

Allegro's products are not to be used in any devices or systems, including but not limited to life support devices or systems, in which a failure of Allegro's product can reasonably be expected to cause bodily harm.

The information included herein is believed to be accurate and reliable. However, Allegro MicroSystems assumes no responsibility for its use; nor for any infringement of patents or other rights of third parties which may result from its use.

Copies of this document are considered uncontrolled documents.

For the latest version of this document, visit our website:

[www.allegromicro.com](http://www.allegromicro.com)