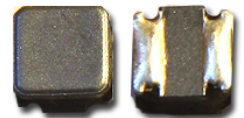


LOW PROFILE SHIELDED SMD CHIP POWER INDUCTOR



6.0 x 6.0 x 2.8mm

ASPI-0628



RoHS
Compliant

FEATURES:

- Small size and low profile: 2.8mm
- Small DCR and high rated current
- High reliability to mechanical stress
- Magnetically shielded by magnetic powder molding
- Suitable for RoHS reflow profile

APPLICATIONS:

- Mobile phones
- MP3 & 4 and other portable communication equipment
- Digital cameras.

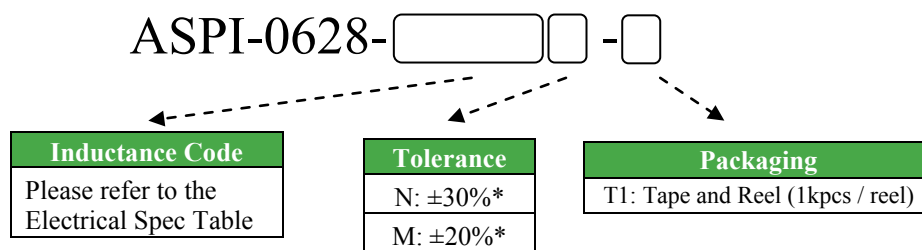
ELECTRICAL SPECIFICATIONS:

Abracon P/N:	ASPI-0628 Series
Operating Temperature & Humidity:	-25°C to +120°C (Including self generated heat)
Storage Temperature & Humidity:	-10°C to +40°C, 30% to 70% RH

Part Number	Inductance	Inductance Tolerance	DCR	DCR Tolerance	Saturation Current	Temperature Rise Current
Units	μH	%	mΩ	%	A	A
Symbol	L	M, N	DCR		Isat	Irms
ASPI-0628-0R9	0.9	N	13	±30%	6.70	4.60
ASPI-0628-1R5	1.5	N	16		5.10	4.20
ASPI-0628-2R2	2.2	N	20		4.20	3.70
ASPI-0628-3R0	3.0	N	23		3.60	3.40
ASPI-0628-3R3	3.3	M	28		3.60	3.40
ASPI-0628-3R9	3.9	M	31	±20%	2.70	3.00
ASPI-0628-4R7	4.7	M	31		2.70	3.00
ASPI-0628-6R0	6.0	M	40		2.50	2.50
ASPI-0628-6R2	6.2	M	52		2.20	2.20
ASPI-0628-6R8	6.8	M	52		2.20	2.20
ASPI-0628-100	10	M	65		1.90	1.90
ASPI-0628-150	15	M	95		1.60	1.80
ASPI-0628-220	22	M	135		1.30	1.40
ASPI-0628-330	33	M	220		1.10	1.10
ASPI-0628-470	47	M	300		1.00	0.92
ASPI-0628-680	68	M	420	0.80	0.77	
ASPI-0628-101	100	M	600	0.65	0.66	

1. Inductance is measured in HP-4285A Precision LCR Meter.
2. RDC is measured in DU-5011 milli ohm meter.(or equivalent).
3. Isat : Based on inductance change ($\Delta L/L_0 : \leq -30\%$)
4. Irms : Based on temperature rise ($\Delta T : 40^\circ\text{C TYP.}$)
5. Test Freq: 100KHz, 1Vrms

OPTIONS AND PART IDENTIFICATION



*N for L = 0.9 ~ 3.0μH
*M for L = 4.7 ~ 100μH



LOW PROFILE SHIELDED SMD CHIP POWER INDUCTOR



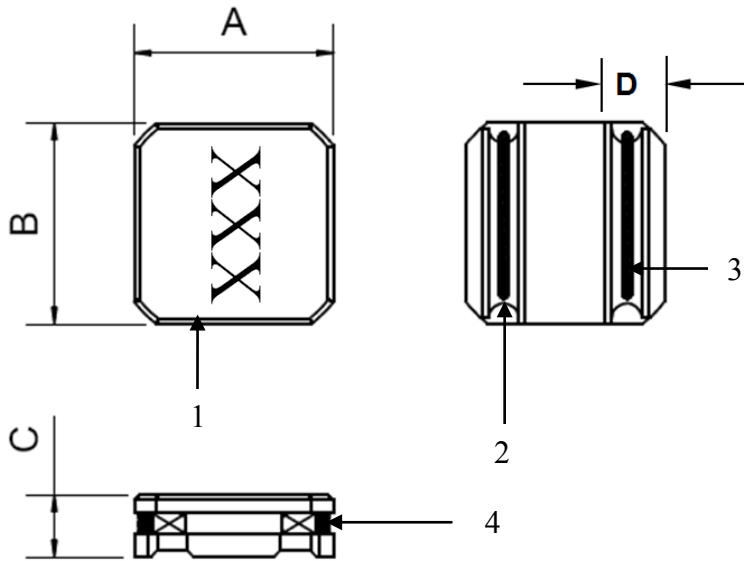
6.0 x 6.0 x 2.8mm

ASPI-0628



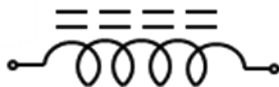
RoHS
Compliant

OUTLINE DRAWING:



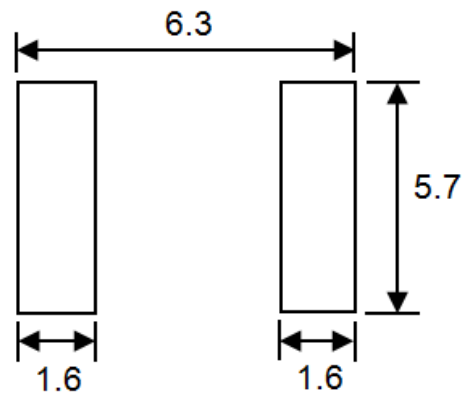
A	B	C Max.	D Typ.
6.0±0.2	6.0±0.2	2.8	1.50

Circuit Schematic



No Polarity

Recommended Land Pattern



Dimension: mm

Materials

No	Part Name	Material
1	Ferrite core	Ni-Zn Ferrite
2	Terminals	Ag/Ni/Sn
3	Coil	Cu/P180 Grd 1
4	Adhesive	Silicon Base Resin
	Magnetic Powder	Ni-Zn Ferrite



LOW PROFILE SHIELDED SMD CHIP POWER INDUCTOR



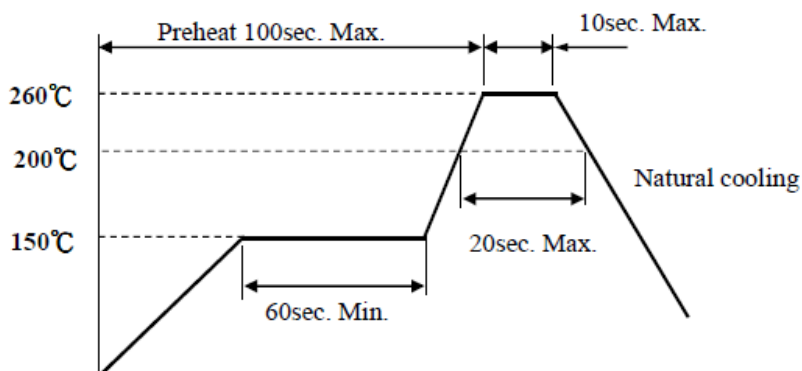
6.0 x 6.0 x 2.8mm

ASPI-0628

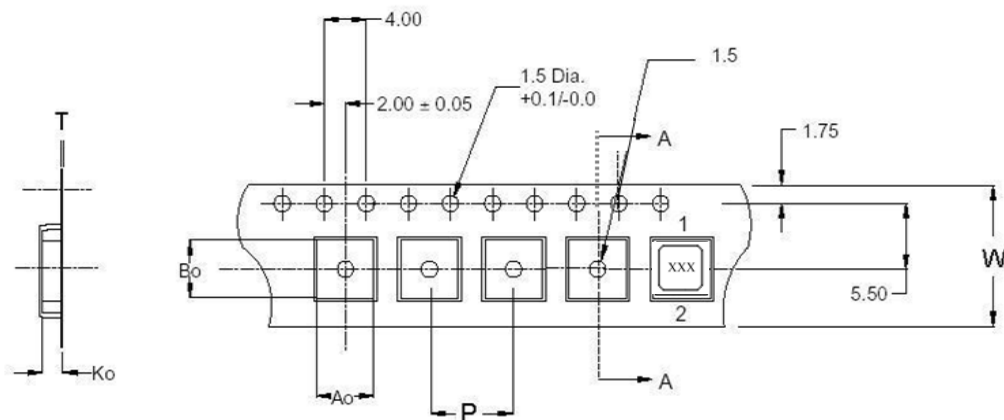


RoHS
Compliant

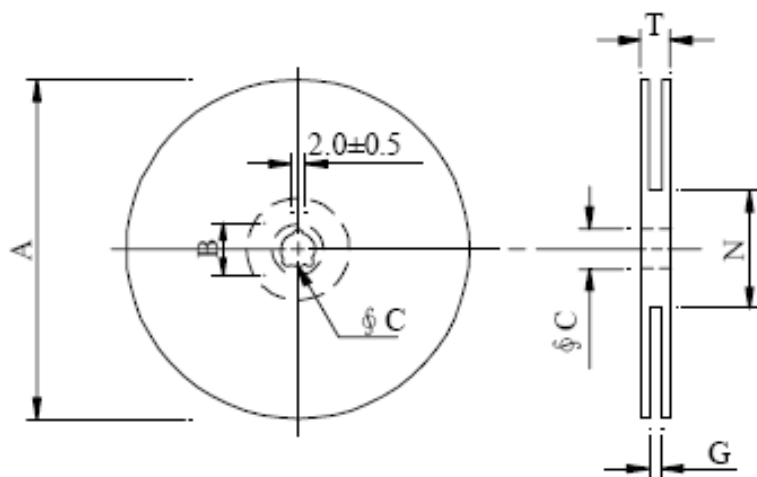
REFLOW PROFILE:



TAPE & REEL: T1: 1,000pcs / reel



Ao	6.40
Bo	6.40
Ko	3.05
W	16.00
P	12.00
T	0.40

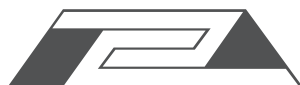


A	330
B	21.0±0.8
C	13.5±0.5
G	16.6
N	99.5
T	21

Dimension: mm

ATTENTION: Abracon Corporation's products are COTS – Commercial-Off-The-Shelf products; suitable for Commercial, Industrial and, where designated, Automotive Applications. Abracon's products are not specifically designed for Military, Aviation, Aerospace, Life-dependant Medical applications or any application requiring high reliability where component failure could result in loss of life and/or property. For applications requiring high reliability and/or presenting an extreme operating environment, written consent and authorization from Abracon Corporation is required. Please contact Abracon Corporation for more information.

ABRACON IS
ISO9001:2008
CERTIFIED



ABRACON
CORPORATION

Visit www.abracon.com for Terms & Conditions of Sale **Revised: 03.16.12**
30332 Esperanza, Rancho Santa Margarita, California 92688
tel 949-546-8000 | fax 949-546-8001 | www.abracon.com