



三禮電子集團控股有限公司

3L ELECTRONIC GROUP HOLDINGS LIMITED
SPECIFICATION FOR APPROVED 樣品承認書



CUSTOMER:

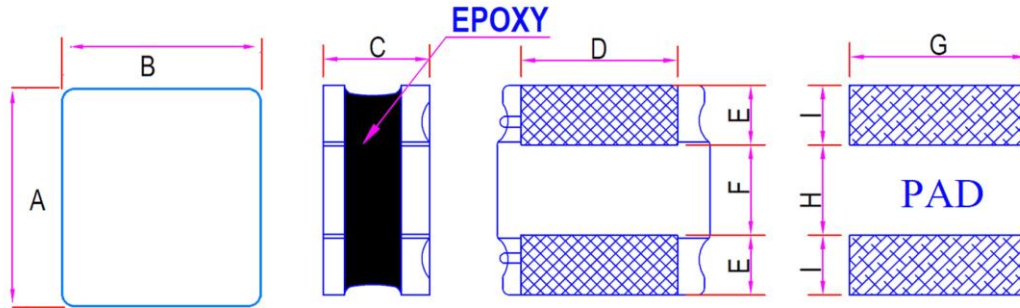
PAGE : 1 OF 3

P/N(料號): SNR2510K-SERIES

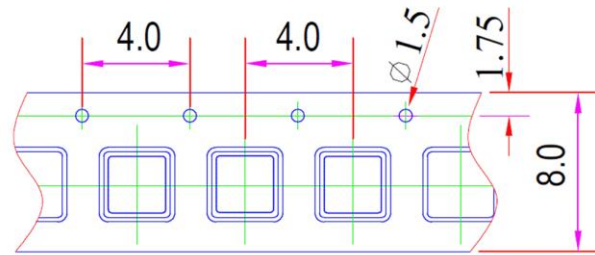
YOUR REF. :

1.MACHANCIAL DIMENSIONS(外形尺寸):

DRAW. NO. : SNR2510K



SCHEMATIC



EACH TAPE : 2000 PCS

Item (項目)	Spec. (規格mm)	Typ.(實測值)	Item (項目)	Spec. (規格mm)	Typ.(實測值)
A	2.5+-0.2		F	0.8	
B	2.3 MAX		G	2.0	
C	1.05 MAX		H	0.8	
D	1.5		I	0.85	
E	0.8		K		

2. NOTES (備注, 包括印字及起始同相端等特別要求):

2.1 Marking (印字):

CUSTOMER APPROVED (客戶確認)

APPROVED (確認)

CHECKED (檢查)

DRAWN (制圖)

工程部
2018.11.07
郭义标

工程部
2018.11.07
钟海珊

工程部
2018.11.07
程燕桥

ISSUED DATE(出版日期): 20161014

PRINT DATE(出圖日期): 20161014

REV(版次): XA



三禮電子集團控股有限公司

3L ELECTRONIC GROUP HOLDINGS LIMITED

SPECIFICATION FOR APPROVED 樣品承認書



CUSTOMER: PAGE : 2 OF 3

P/N(料號): SNR2510K-SERIES YOUR REF. :

3. ELECTRICAL CHARACTERISTICS (電特性要求) :

3L/PN	L	Tolerance	DCR(Ω)	Isat	Irms	Test Freq
	(uH)	(+-%)	MAX	(A)	(A)	Condition
SNR2510K-R24M	0.24	20	0.034	3.60	2.75	1MHz 1V
SNR2510K-R33M	0.33	20	0.043	3.60	2.45	1MHz 1V
SNR2510K-R47M	0.47	20	0.044	2.80	2.40	1MHz 1V
SNR2510K-R68M	0.68	20	0.062	2.75	2.10	1MHz 1V
SNR2510K-1R0M	1.00	20	0.080	2.05	1.85	1MHz 1V
SNR2510K-1R5M	1.50	20	0.108	1.70	1.55	1MHz 1V
SNR2510K-2R2M	2.20	20	0.139	1.50	1.35	1MHz 1V
SNR2510K-3R3M	3.30	20	0.228	1.10	1.05	1MHz 1V
SNR2510K-4R7M	4.70	20	0.330	1.00	0.90	1MHz 1V
SNR2510K-6R8M	6.80	20	0.480	0.80	0.72	1MHz 1V
SNR2510K-100M	10.00	20	0.600	0.65	0.67	1MHz 1V
SNR2510K-150M	15.00	20	0.950	0.50	0.45	1MHz 1V

Isat(A):
DC Saturation Current that will cause initial inductance to drop approximately 30% max
Irise(A):
DC Current that will cause an approximata ΔT of 40°C
Ope.Temp.: -40 to 125°C
Measuring Instrument:L:HP4284 Isat:HP4284+42841A DCR:502BC

CUSTOMER APPROVED (客戶確認)	APPROVED (確認)	CHECKED (檢查)	DRAWN (制圖)



三禮電子集團控股有限公司

3L ELECTRONIC GROUP HOLDINGS LIMITED
SPECIFICATION FOR APPROVED 樣品承認書



CUSTOMER:

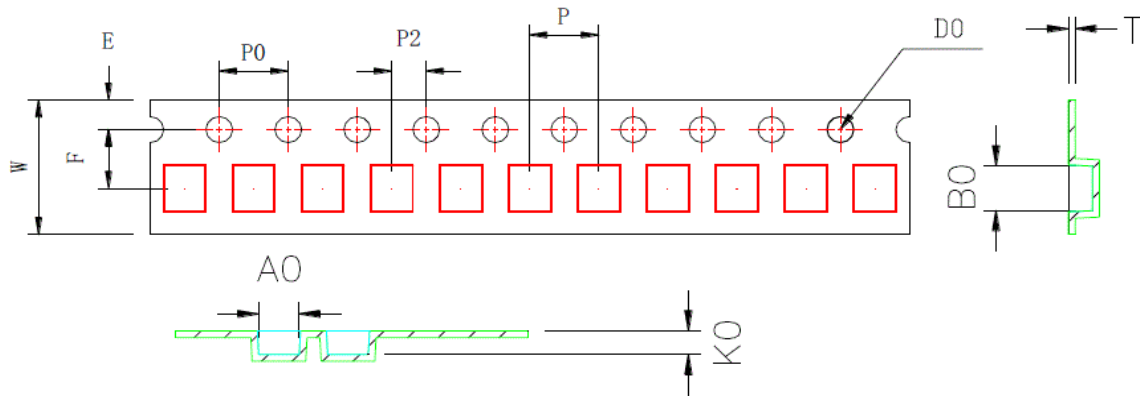
PAGE : 3 OF 3

P/N(料號): SNR2510K-SERIES

YOUR REF. :

Packaging Specifications

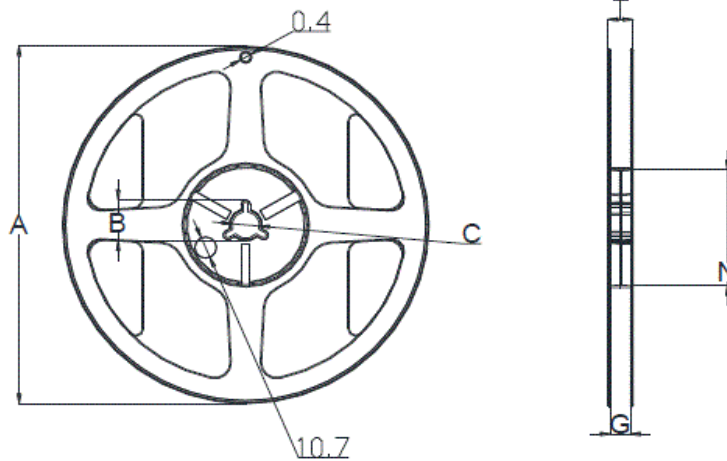
1. Carrier Tape Dimensions:



ITEM	W	A0	B0	K0	P	F	E	D0	P0	P2	T
DIM	8.00	2.35	2.65	1.2	4.00	3.5	1.75	1.50	4.00	2.00	0.25
TOLE	±0.3	±0.1	±0.1	±0.1	±0.1	±0.1	±0.1	+0.1	±0.1	±0.1	±0.05

2. Reel Dimensions:

Carrier Tape Reel



Packaging Quantity:
2KPCS/ Reel

Type	A	B	C	G	N	T
8mm	178	20.7±0.8	13±0.4	9	60	10.8

CUSTOMER APPROVED (客戶確認)

APPROVED (確認)

CHECKED (檢查)

DRAWN (制圖)

工程部
2018.11.07
郭义标

工程部
2018.11.07
钟海珊

工程部
2018.11.07
程燕桥

ISSUED DATE(出版日期): 20161014

PRINT DATE(出圖日期): 20161014