

GT-TB092X-HXXX-LX

G-SWITCH

Operating Force

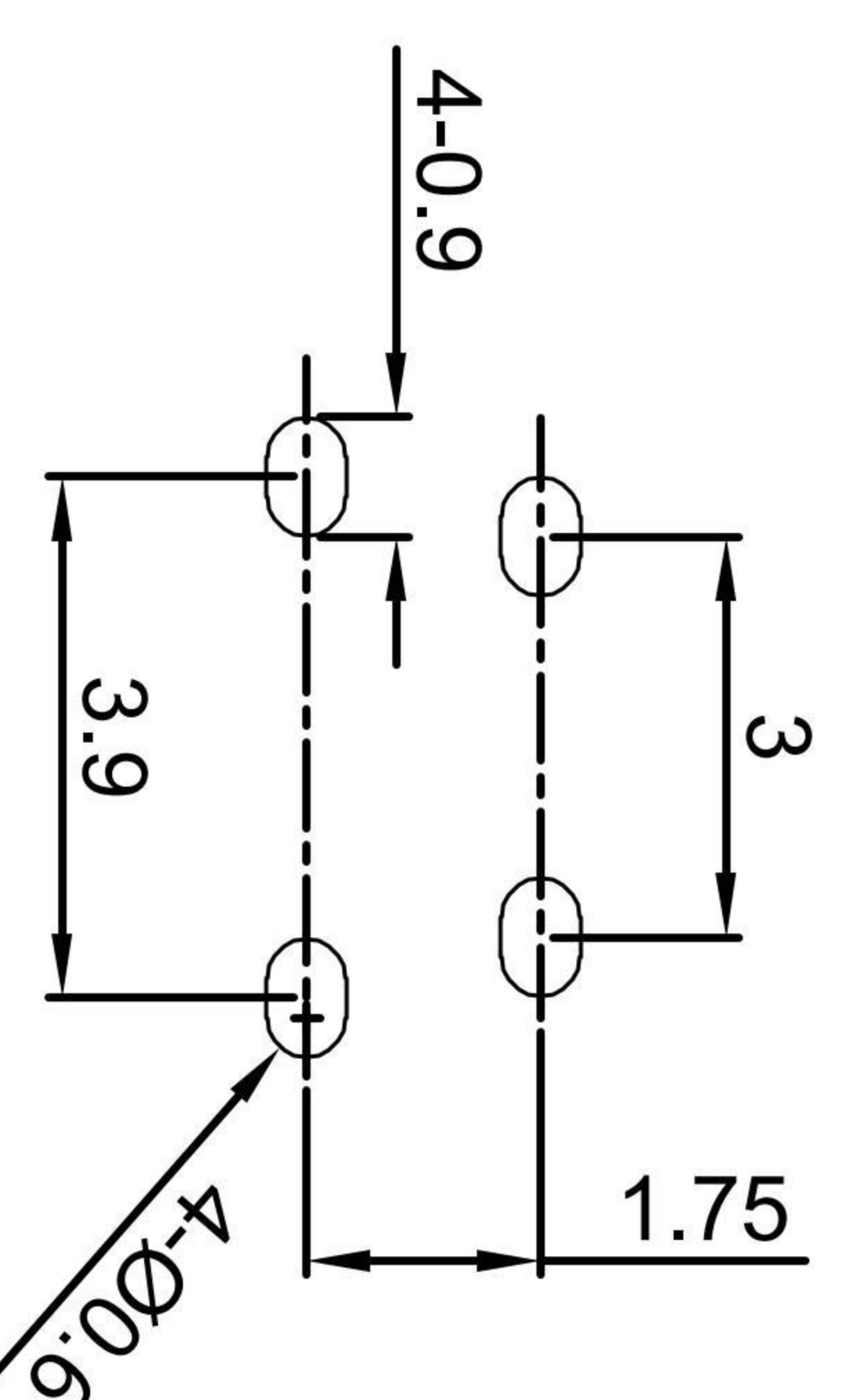
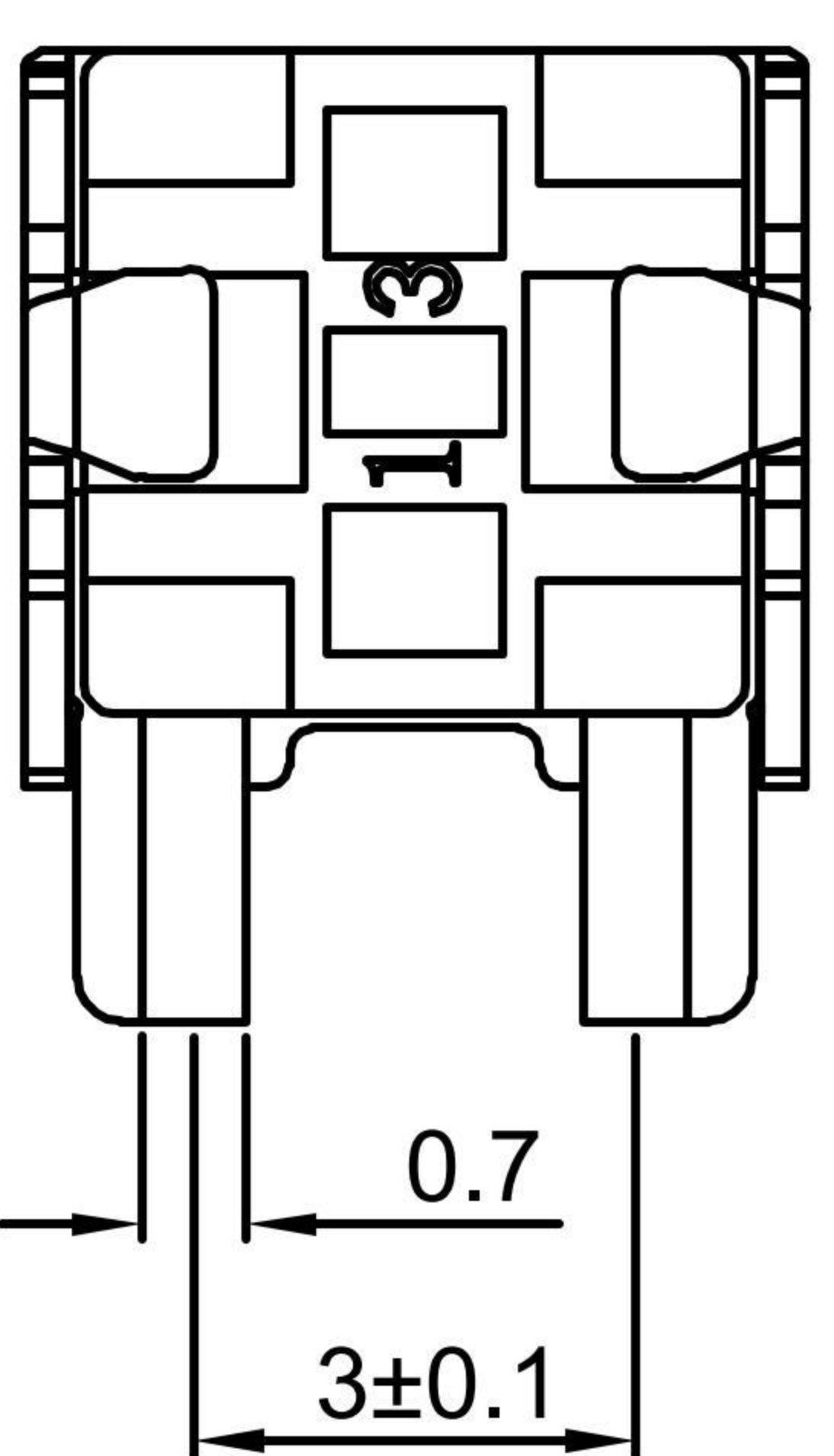
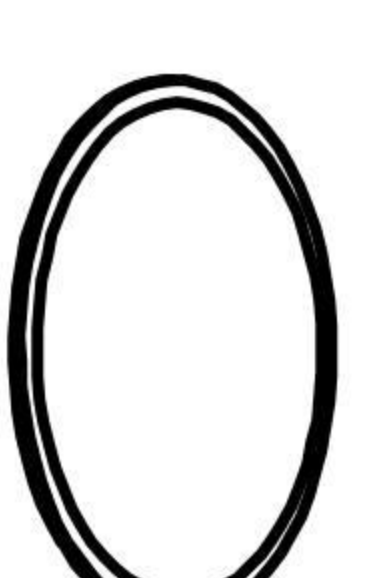
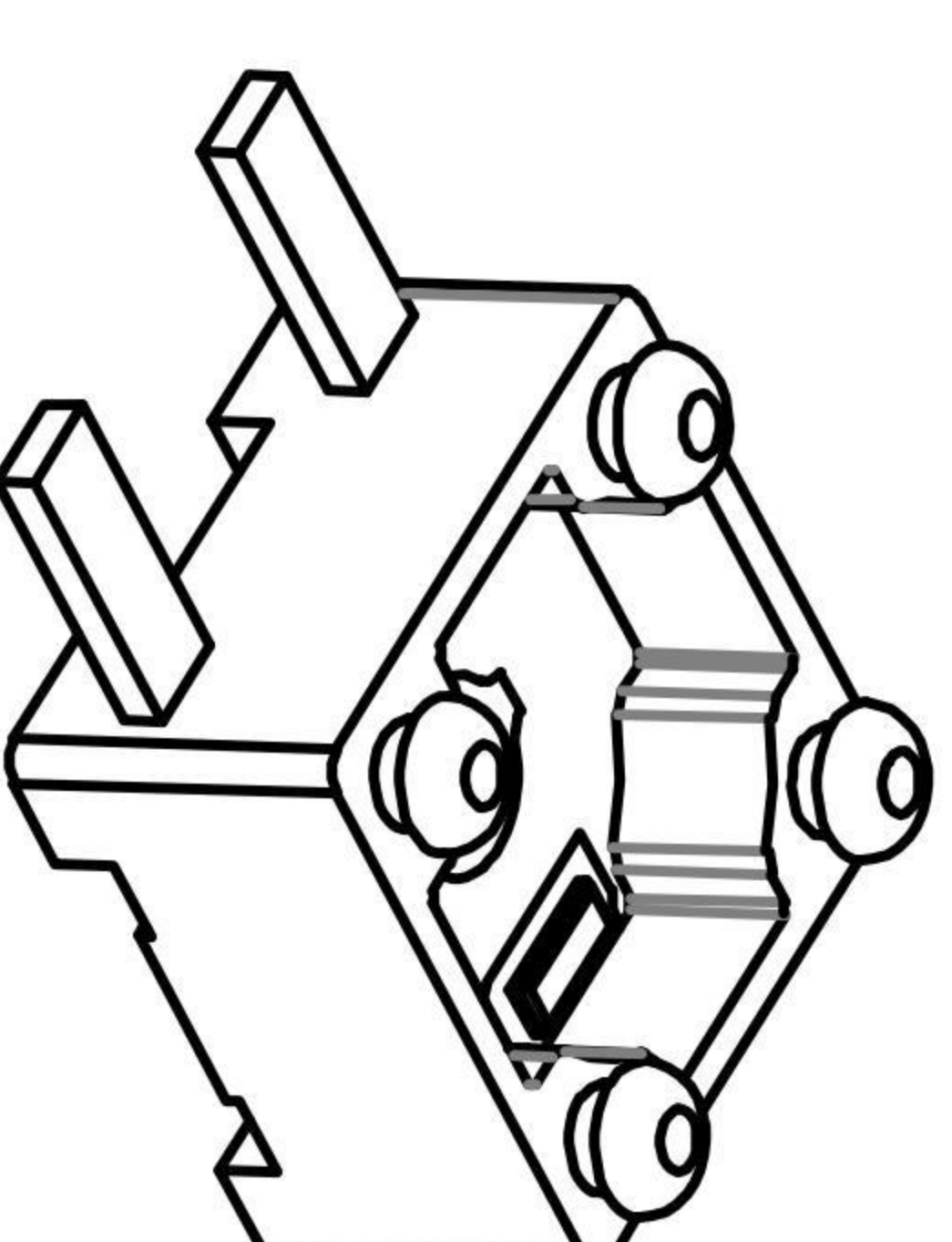
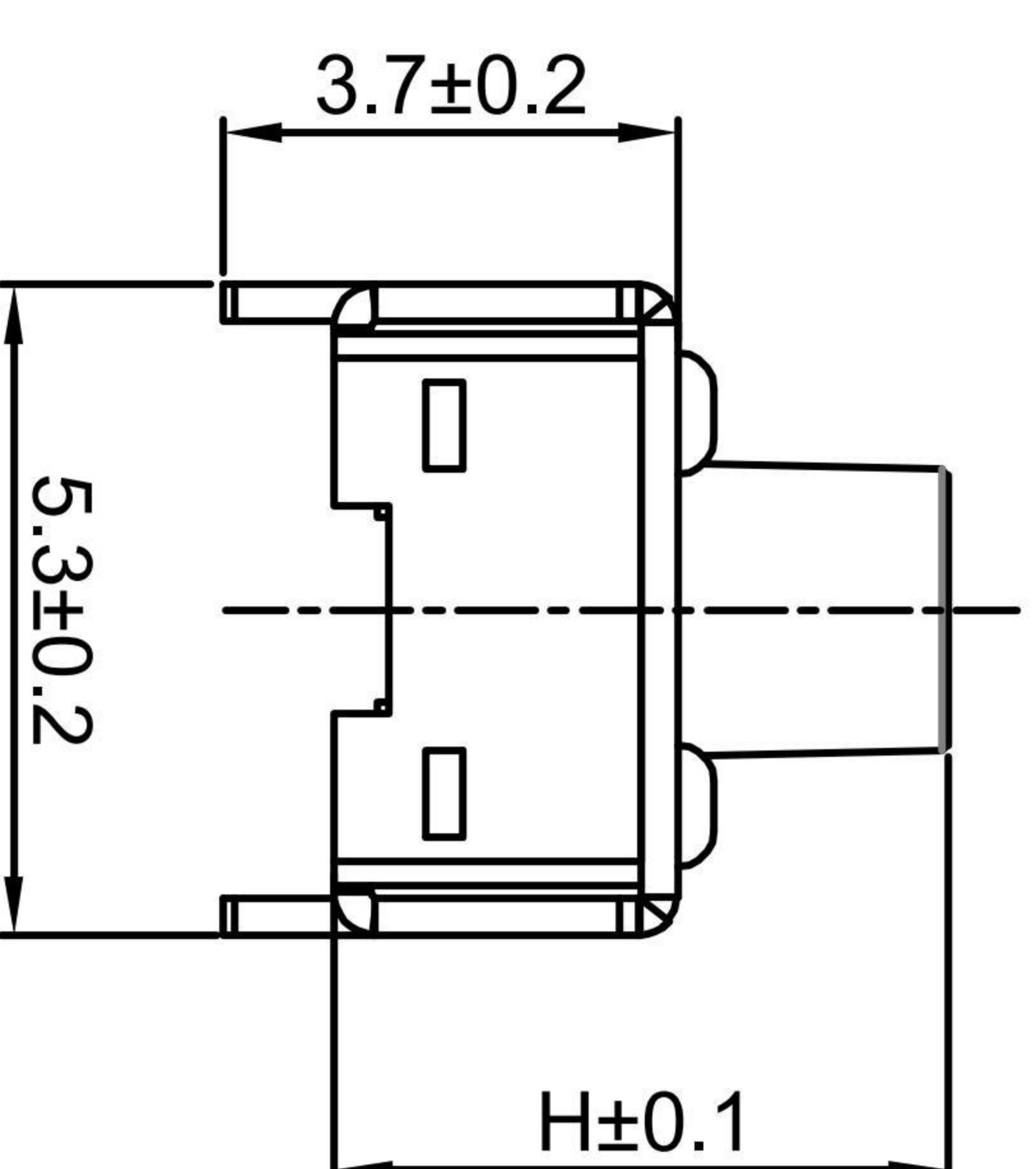
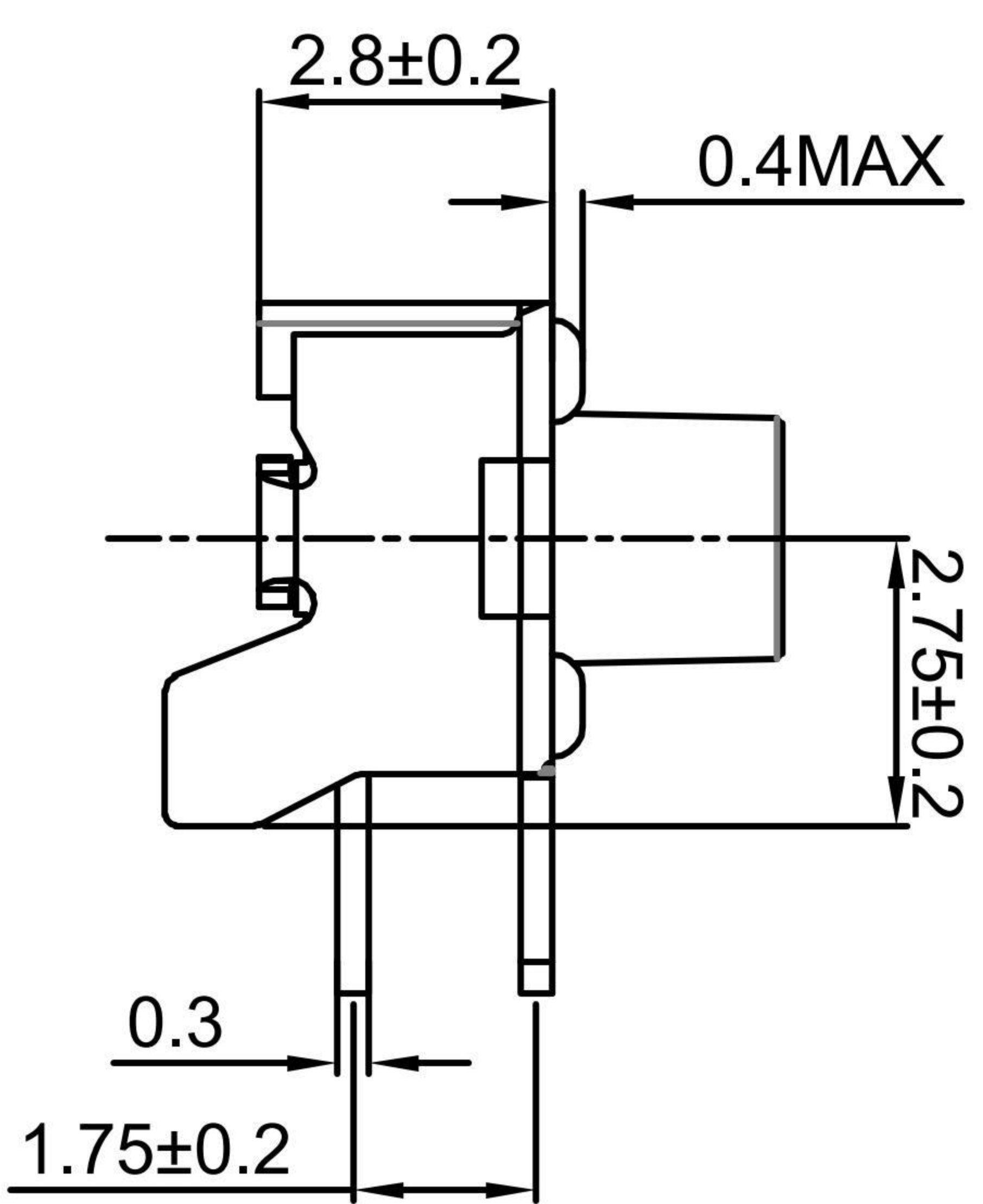
A=160gf
B=250gf
C=100gf

Switch Height

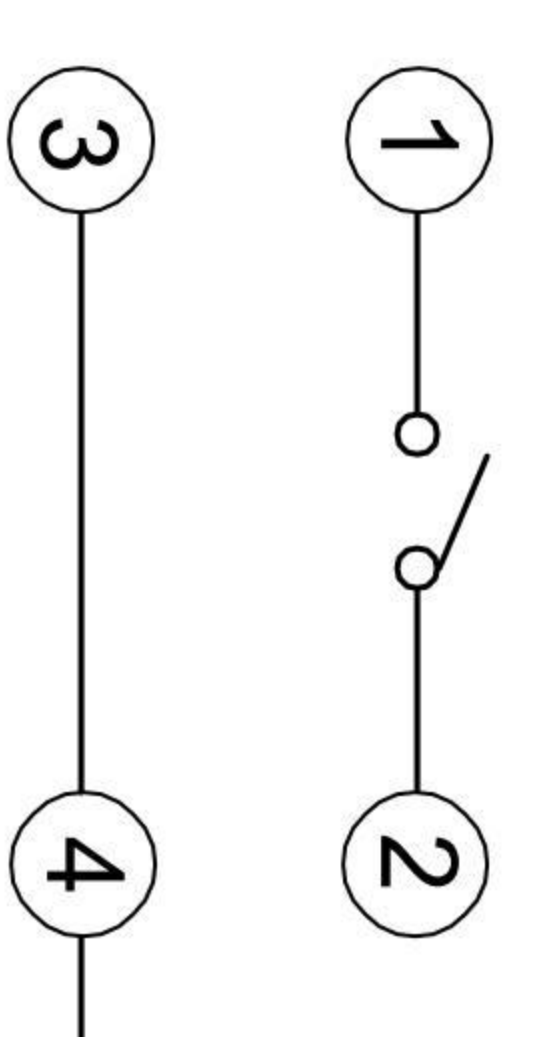
H038=3.8 H043=4.3
H050=5.0 H055=5.5
H060=6.0 H065=6.5
H070=7.0 H075=7.5
H080=8.0 H085=8.5
H090=9.0 H095=9.5
H100=10.0 H105=10.5
H110=11.0mm

Switch Lifetime (Force)

L1=100,000 Cycles
L3=300,000 Cycles



RECOMMENDED PCB LAYOUT

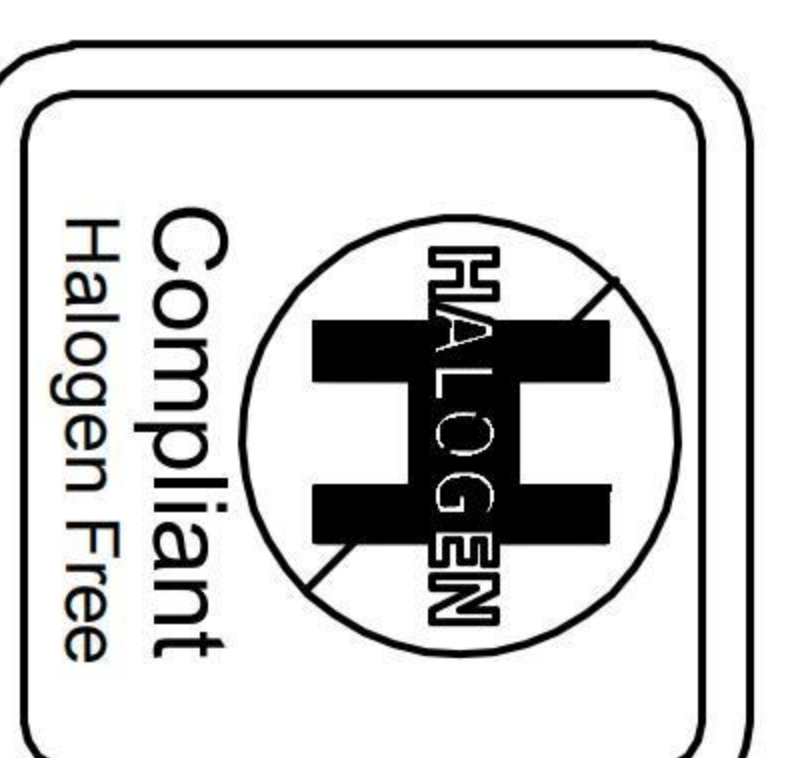
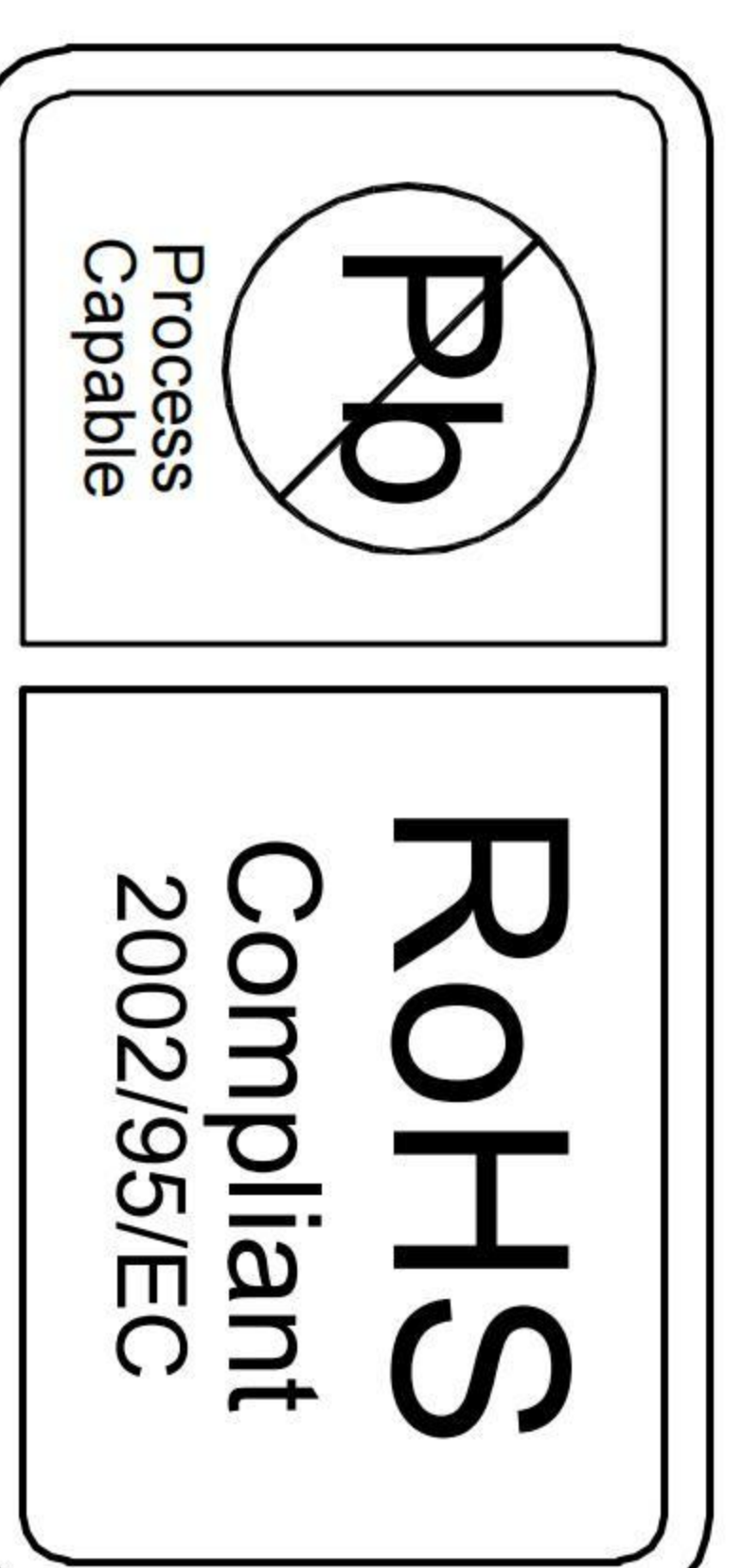


CIRCUIT DIAGRAM

G-Switch Specification:

1. Operating temperature range: -40°C ~ +85°C
2. Rating: 50mA, 12V DC
3. Insulation resistance: 100MΩ min, 100V DC
4. Dielectric strength: 250V AC for 1 min
5. Contact resistance: 100mΩ max.
6. Travel: 0.2±0.05mm

1	STEM	HIGH TEMPERATURE PLASTIC	BLACK
2	SUPPORT	STAINLESS STEEL	Tin PLATING
3	REED	STAINLESS STEEL	Ag PLATING
4	CASE	HIGH TEMPERATURE PLASTIC	BLACK
5	TERMINAL	COPPER ALLOY	Ag PLATING
NO.	PART NAME	MATERIAL	REMARK



SCALE: 1:1	UNIT: mm	Title: Horizontal Tact Switch DIP
SIZE: A4		Mold Code: GT-TB092X-HXXX-LX
Unless otherwise General Tolerance:		
X	±0.30	
X X	±0.20	
X X X	±0.15	
X X X X	±0.10	
Angles	±3°	
DRAWN: Xia	CHECKED: Chen	APPROVED: Chen
DATE: 2023.02.01		



REV: A0 SHEET: 1/1