

GT-TA092X-HXXX-LX

G-SWITCH

Operating Force

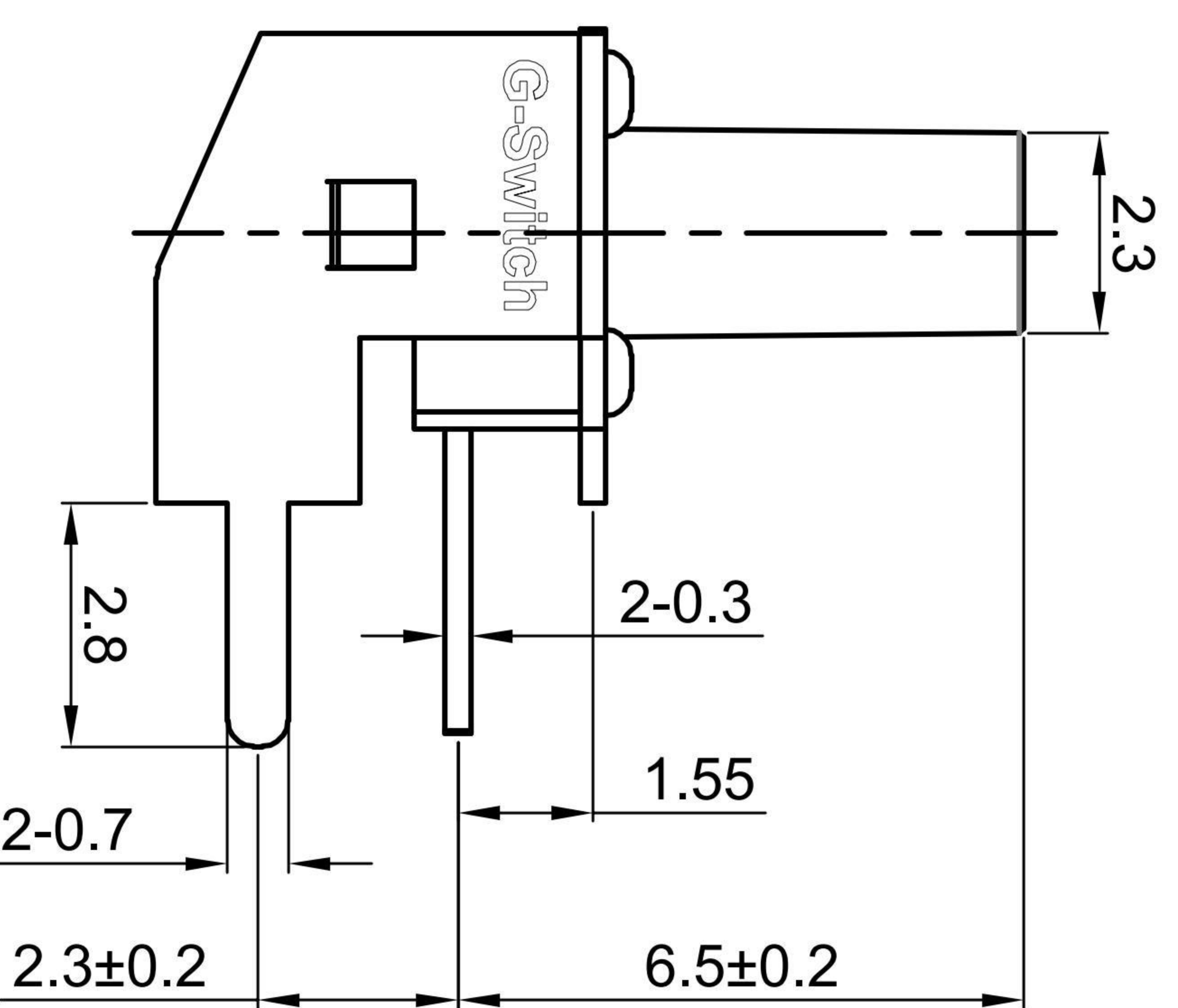
A=160gf
B=250gf
C=100gf

Switch Height

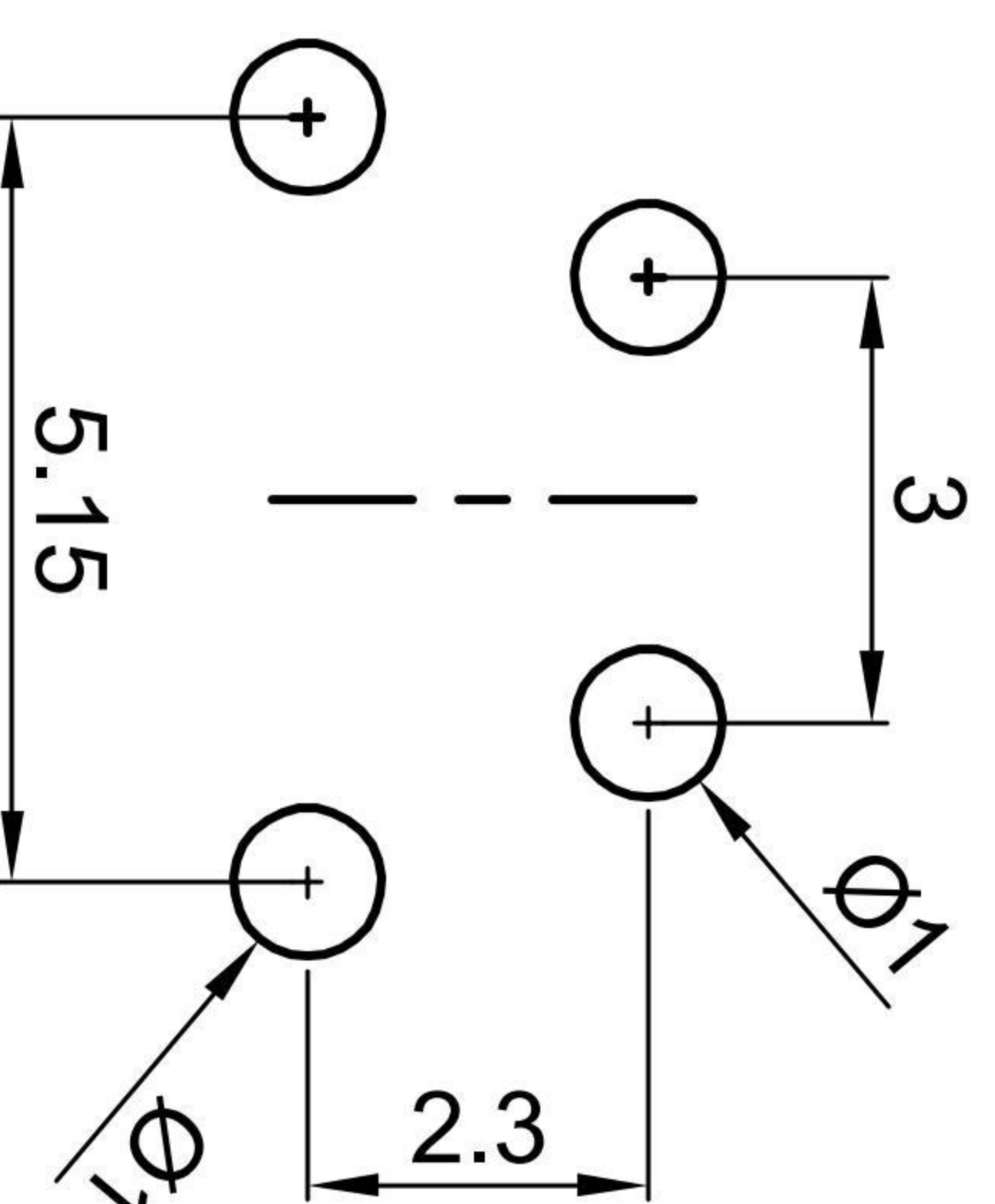
H038=3.8 H043=4.3
H050=5.0 H055=5.5
H060=6.0 H065=6.5
H070=7.0 H075=7.5
H080=8.0 H085=8.5
H090=9.0 H095=9.5
H100=10.0 H105=10.5
H110=11.0mm

Switch Lifetime (Force)

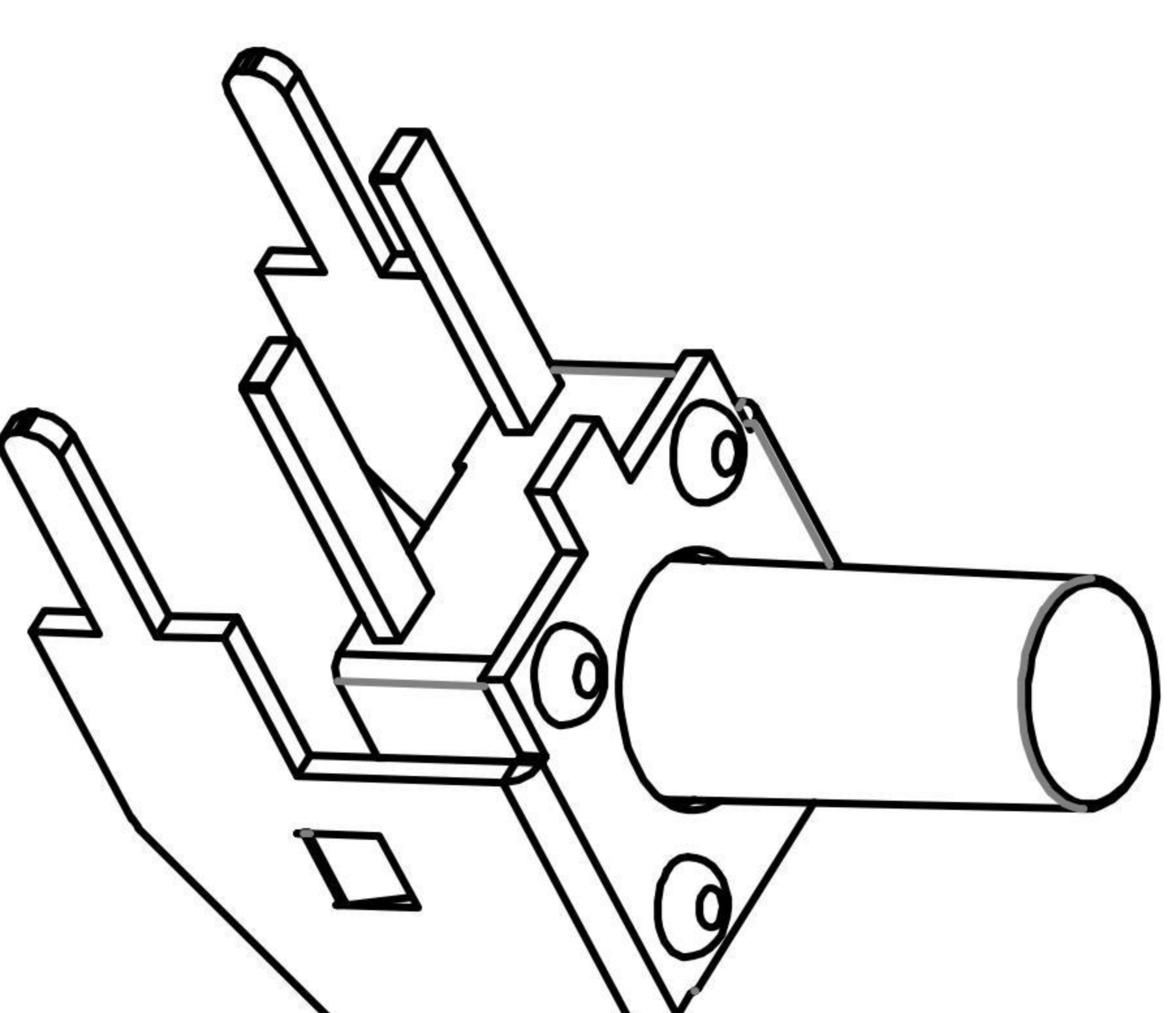
L1=100,000 Cycles
L3=300,000 Cycles



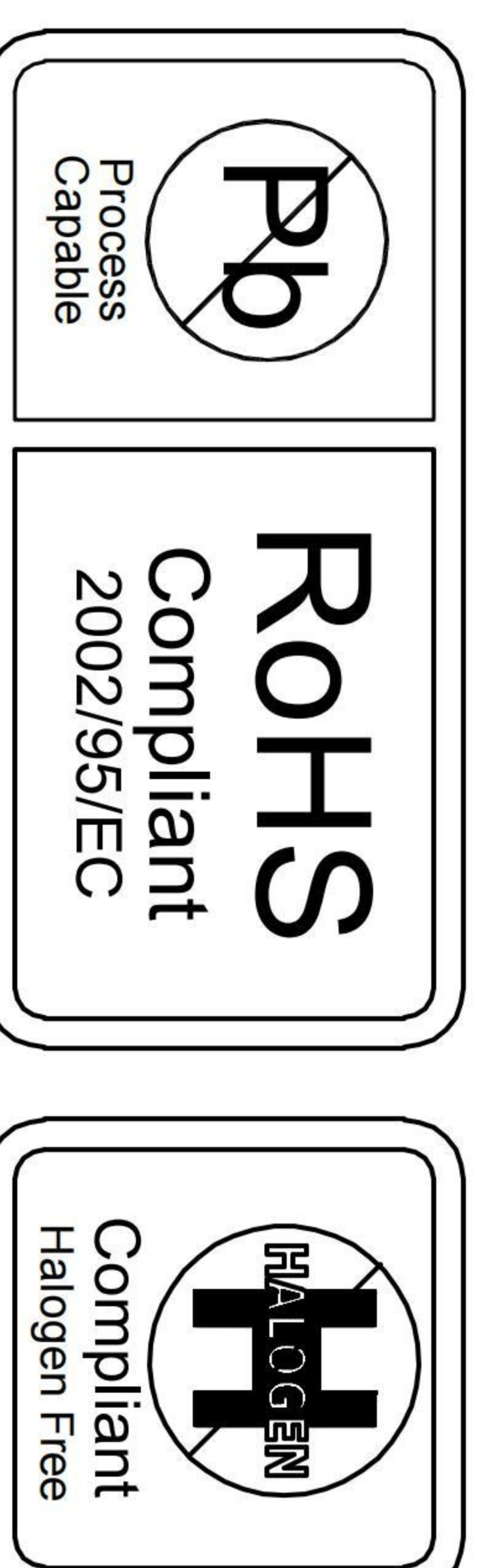
CIRCUIT DIAGRAM



RECOMMENDED PCB LAYOUT



1	STEM	HIGH TEMPERATURE PLASTIC	BLACK
2	SUPPORT	STAINLESS STEEL	Tin PLATING
3	REED	STAINLESS STEEL	Ag PLATING
4	CASE	HIGH TEMPERATURE PLASTIC	BLACK
5	TERMINAL	COPPER ALLOY	Ag PLATING
NO.	PART NAME	MATERIAL	REMARK



SCALE: 1:1	UNIT: mm	Title: Horizontal Tact Switch DIP
SIZE: A4		Mold Code: GT-TA092X-HXXX-LX
Unless otherwise General Tolerance:		DRAWN: Xia
X	+0.30	CHECKED: Chen
X.X	+0.20	APPROVED: Chen
X.XX	+0.15	DATE: 2023.02.01
X.XXX	+0.10	
Angles	±3°	



REV: A0 SHEET: 1/1

A

B

C

D

E