

### ● General Description

The AGM1099E combines advanced trench MOSFET technology with a low resistance package to provide extremely low  $R_{DS(ON)}$ .

This device is ideal for load switch and battery protection applications.

### ● Features

- Advance high cell density Trench technology
- Low  $R_{DS(ON)}$  to minimize conductive loss
- Low Gate Charge for fast switching
- Low Thermal resistance

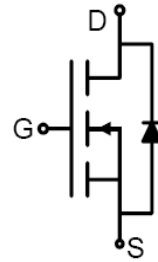
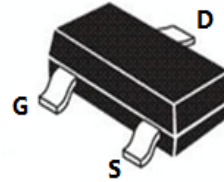
### ● Application

- MB/VGA Vcore
- SMPS 2<sup>nd</sup> Synchronous Rectifier
- POL application
- BLDC Motor driver

### Product Summary

BVDSS	RDSON	ID
100V	100mΩ	5.0A

### SOT-23-3 Pin Configuration



### Package Marking and Ordering Information

Device Marking	Device	Device Package	Reel Size	Tape width	Quantity
1099E	AGM1099E	SOT-23-3	----	----	3000

**Table 1. Absolute Maximum Ratings (TA=25°C)**

Symbol	Parameter	Value	Unit
VDS	Drain-Source Voltage (VGS=0V)	100	V
VGS	Gate-Source Voltage (VDS=0V)	±20	V
ID	Drain Current-Continuous(Tc=25°C) <b>(Note 1)</b>	5.0	A
	Drain Current-Continuous(Tc=100°C)	3.2	A
IDM (pluse)	Drain Current-Continuous@ Current-Pulsed <b>(Note 2)</b>	16	A
PD	Maximum Power Dissipation(Tc=25°C)	3.1	w
	Maximum Power Dissipation(Tc=100°C)	1.25	w
EAS	Avalanche energy <b>(Note 3)</b>	--	mJ
TJ,TSTG	Operating Junction and Storage Temperature Range	-55 To 150	°C

**Table 2. Thermal Characteristic**

Symbol	Parameter	Typ	Max	Unit
RθJA	Thermal Resistance Junction-ambient (Steady State) <sup>1</sup>	---	40	°C/W
RθJC	Thermal Resistance Junction-Case <sup>1</sup>	---	--	°C/W

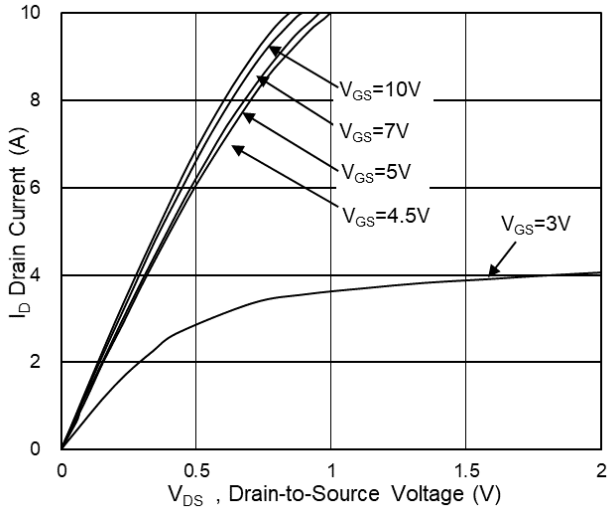
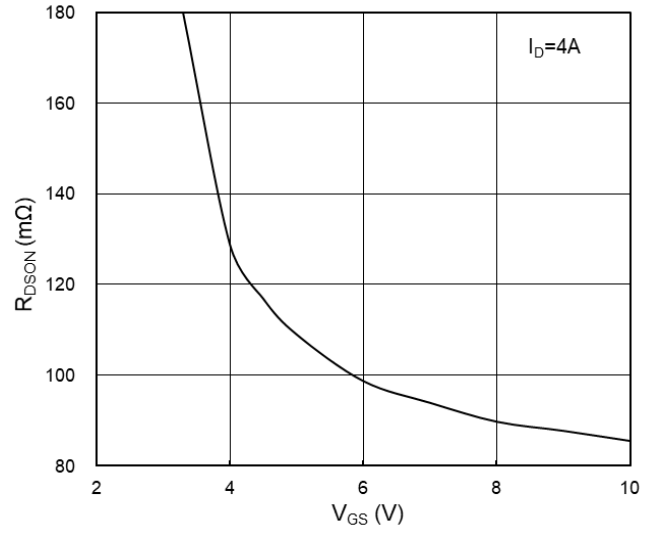
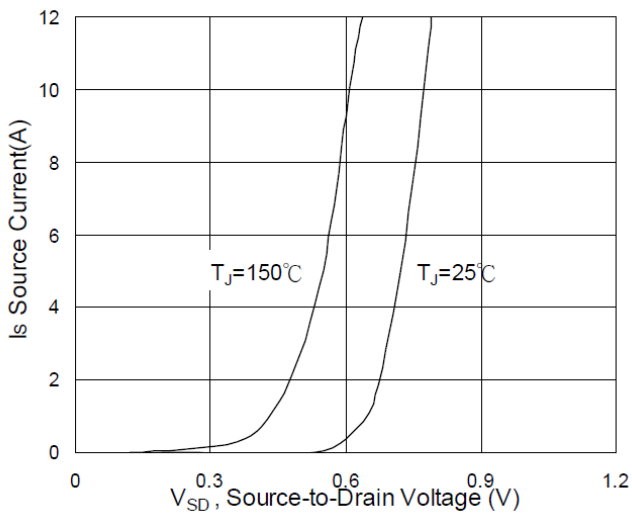
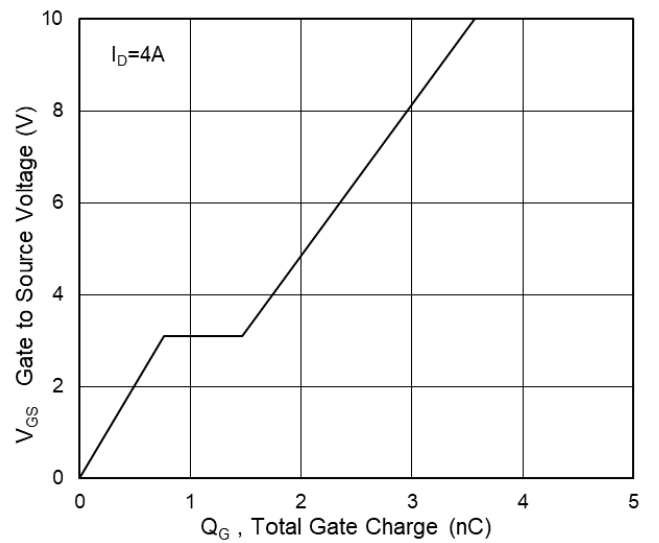
**Table 3. Electrical Characteristics (TA=25°C unless otherwise noted)**

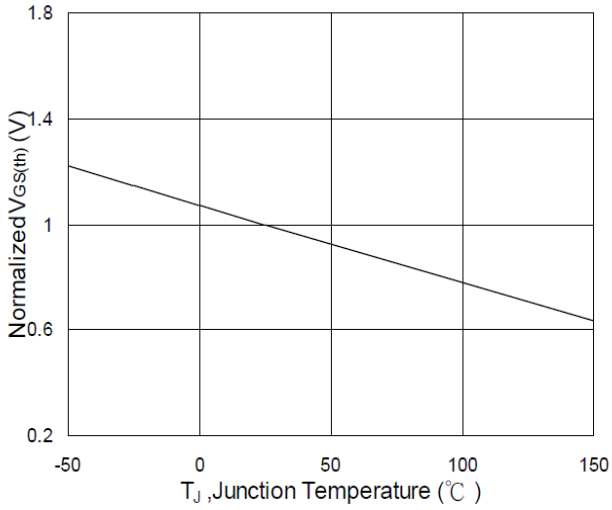
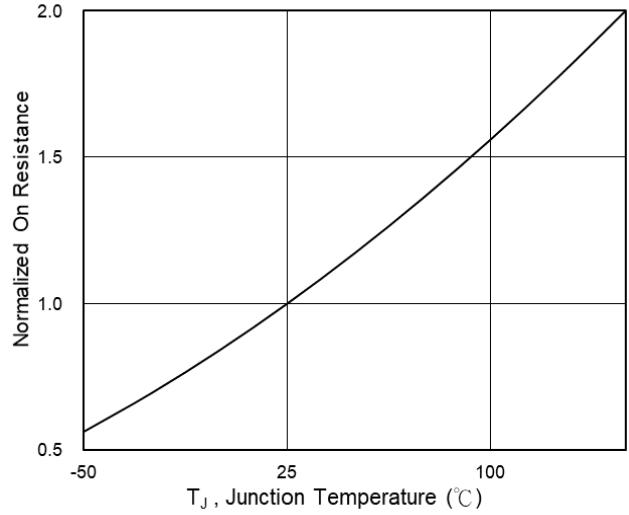
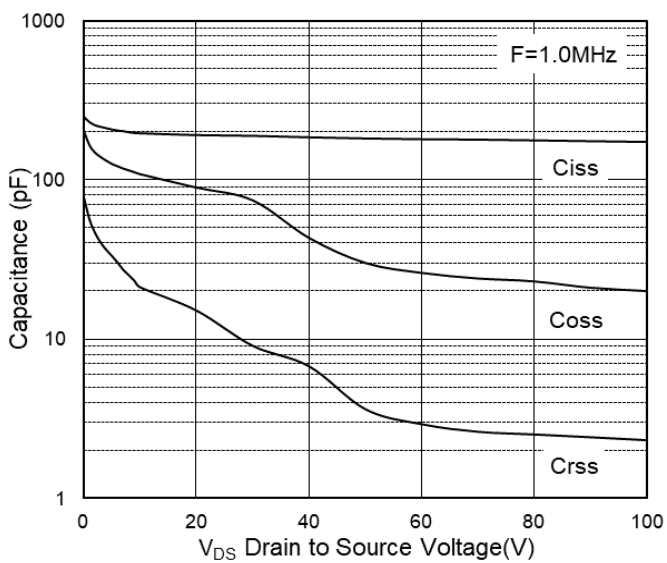
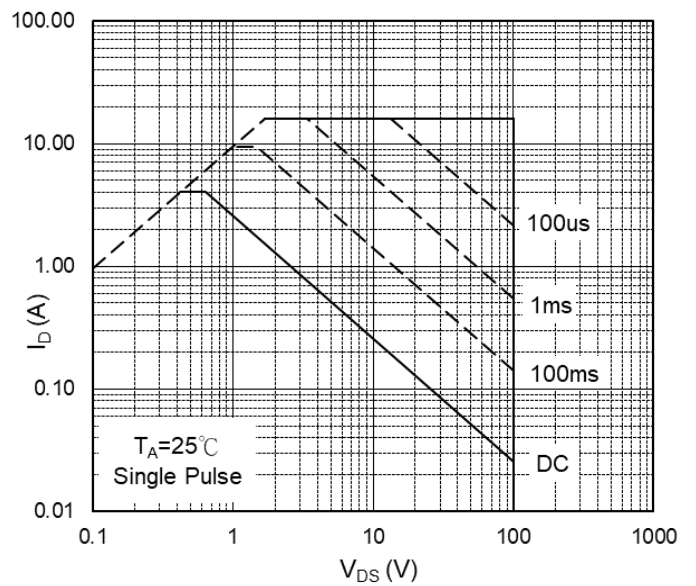
Symbol	Parameter	Conditions	Min	Typ	Max	Unit
<b>On/Off States</b>						
BVDSS	Drain-Source Breakdown Voltage	VGS=0V ID=250μA	100	--	--	V
IDSS	Zero Gate Voltage Drain Current	VDS=100V,VGS=0V	--	--	1	μA
IGSS	Gate-Body Leakage Current	VGS=±20V,VDS=0V	--	--	±100	nA
VGS(th)	Gate Threshold Voltage	VDS=VGS,ID=250μA	1.3	1.8	2.4	V
gFS	Forward Transconductance	VDS=10V,ID=5A	--	--	--	S
RDS(on)	Drain-Source On-State Resistance	VGS=10V, ID=4A	--	100	120	mΩ
		VGS=4.5V, ID=3A	--	120	145	mΩ
<b>Dynamic Characteristics</b>						
Ciss	Input Capacitance	VDS=50V,VGS=0V, F=1MHZ	--	182	--	pF
Coss	Output Capacitance		--	30	--	pF
Crss	Reverse Transfer Capacitance		--	3.6	--	pF
Rg	Gate resistance	VGS=0V, VDS=0V,f=1.0MHz	--	2.5	--	Ω
<b>Switching Times</b>						
td(on)	Turn-on Delay Time	VGS=10V,VDS=50V, ID=5A,RGEN=5Ω	--	11	--	nS
tr	Turn-on Rise Time		--	6.0	--	nS
td(off)	Turn-Off Delay Time		--	30	--	nS
tf	Turn-Off Fall Time		--	4.0	--	nS
Qg	Total Gate Charge	VGS=10V, VDS=50V, ID=5A	--	3.57	--	nC
Qgs	Gate-Source Charge		--	0.76	--	nC
Qgd	Gate-Drain Charge		--	0.71	--	nC
<b>Source-Drain Diode Characteristics</b>						
ISD	Source-Drain Current(Body Diode)		--	--	5.0	A
VSD	Forward on Voltage	VGS=0V,IS=5A	--	--	1.2	V
trr	Reverse Recovery Time	IF=5A , dI/dt=100A/μs ,	--	50	--	ns
Qrr	Reverse Recovery Charge	TJ=25°C	--	102	--	nc

Notes 1.The maximum current rating is package limited.

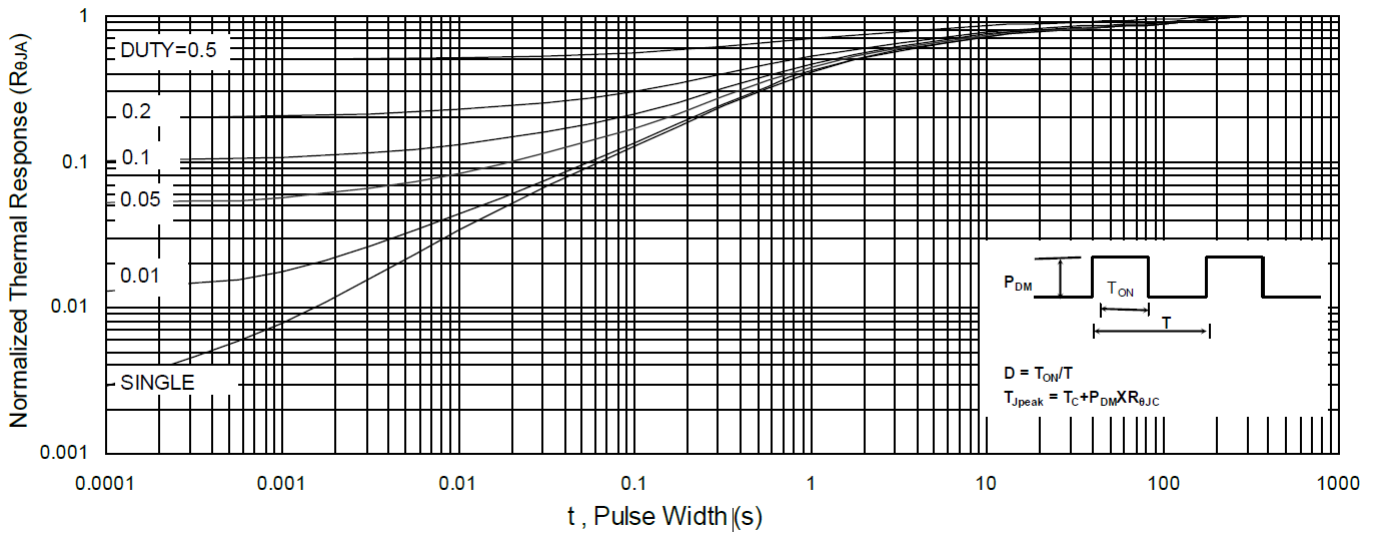
Notes 2.Repetitive Rating: Pulse width limited by maximum junction temperature

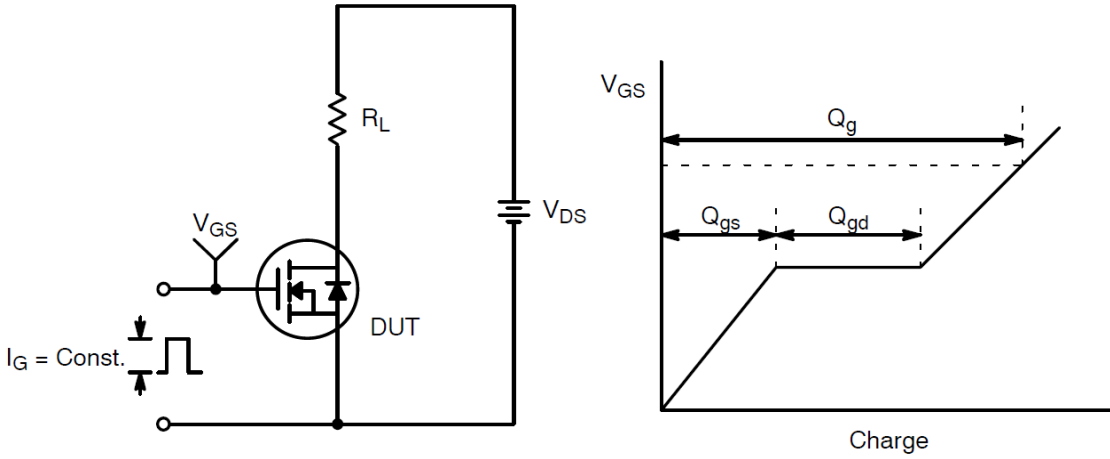
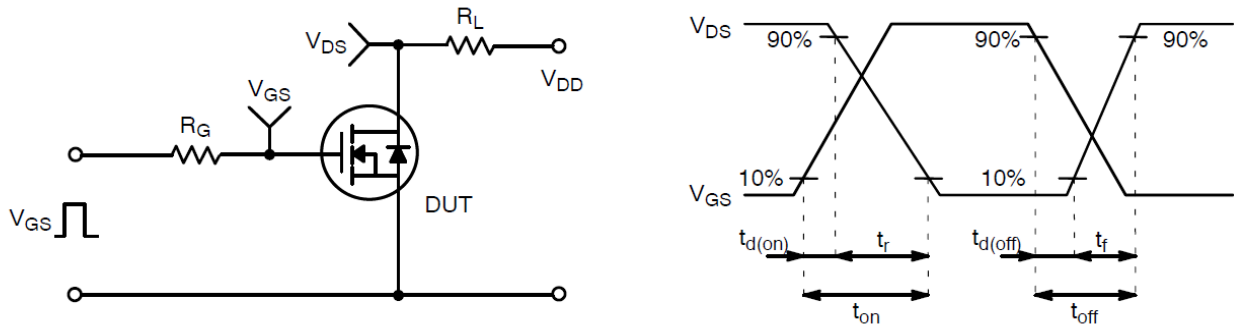
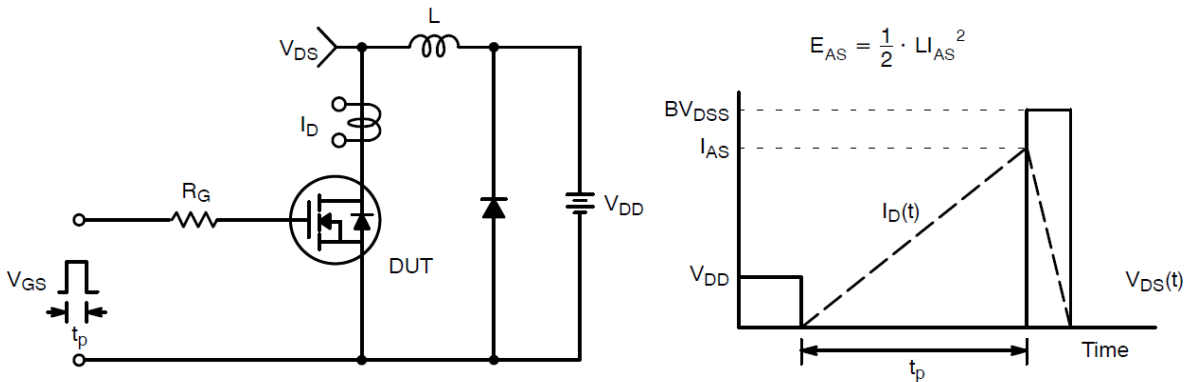
Notes 3.EAS condition: TJ=25°C

**Characteristics Curve:**
**Typ. Output Characteristics**

**On-Resistance vs G-S Voltage**

**Source Drain Forward Characteristics**

**Gate-Charge Characteristics**


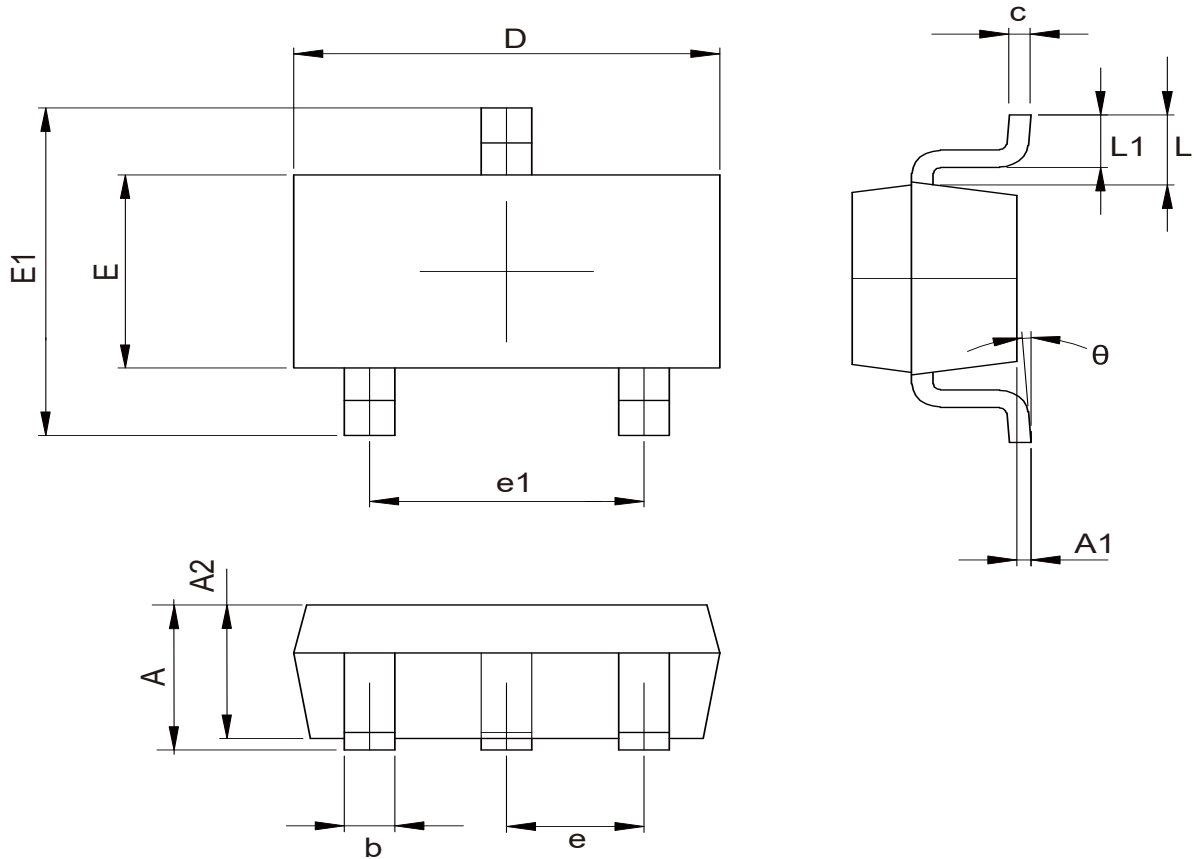
**Normalized  $V_{GS(th)}$  vs  $T_J$** 

**Normalized  $R_{DS(on)}$  vs  $T_J$** 

**Capacitance**

**Safe Operating Area**


### Max. transient thermal impedance



**Test Circuit and Waveform:**

**Gate Charge Test Circuit & Waveform**

**Resistive Switching Test Circuit & Waveforms**

**Unclamped Inductive Switching Test Circuit & Waveforms**

SOT-23-3L  
PACKAGE OUTLINE DIMENSIONS



COMMON DIMENSIONS			
CUNITS MEASURE=MILLIMETER			
SYMBOL	MIN	NOM	MAX
A	1.050	---	1.300
A1	0.000	---	0.200
A2	1.050	---	1.200
b	0.300	0.400	0.500
c	0.100	---	0.200
D	2.820	2.900	3.020
E	1.500	1.600	1.700
E1	2.650	2.800	2.950
e	0.950TYP		
e1	1.800	1.900	2.000
L	0.6REF		
L1	0.300	0.450	0.600
$\theta$	0°	--	8°

Unit:mm


Disclaimer:

The information provided in this document is believed to be accurate and reliable. however, Shenzhen Core Control Electronics Technology Co., Ltd. does not assume any responsibility for the following consequences Do not consider the use of such information or use beyond its scope.

The information mentioned in this document may be changed at any time without notice.

The products and information provided in this document do not infringe patents. Shenzhen Core Control Electronics Technology Co., Ltd. assumes no responsibility for any infringement of any other rights of third parties. The result of using such products and information.

This document is the second version issued on August 10, 2022. This document replaces and Replace all previously provided information.

 It is a registered trademark of Shenzhen Core Control Electronics Technology Co., Ltd.

Copyright © 2017 Shenzhen Core Control Electronics Technology Co., Ltd. all rights reserved.