

Product Overview

The NSi824x devices are high reliability quad-channel digital isolators. The NSi824x device is safety certified by UL1577 support 5kV insulations withstand voltage, while providing high electromagnetic immunity and low emissions at low power consumption. The data rate of the NSi824x is up to 150Mbps, and the common-mode transient immunity (CMTI) is up to 200kV/us. The NSi824x device provides digital channel direction configuration and the default output level configuration when the input power is lost. Wide supply voltage of the NSi824x device supports to connect with most digital interface directly, easy to do the level shift. High system level EMC performance enhance reliability and stability of use. AEC-Q100 (Grade 1) option is provided for all devices.

Key Features

- Up to 5000V_{rms} Insulation voltage
- Data rate: DC to 150Mbps
- Power supply voltage: 2.5V to 5.5V
- AEC-Q100 Grade 1 available for all devices
- High CMTI: 200kV/us
- Chip level ESD: HBM: ±8kV
- Robust Electromagnetic Compatibility (EMC)
 - System-Level ESD, EFT, and Surge Immunity
 - Low Emissions
- Default output high level or low level option
- Isolation barrier life: >60 years
- Low power consumption: 1.5mA/ch (1 Mbps)
- Low propagation delay: <15ns
- Operation temperature: -40°C~125°C
- RoHS-compliant packages:
 - SOP16(300mil)
 - SOP16(600mil)

Safety Regulatory Approvals

- UL recognition: up to 5000V_{rms} for 1 minute per UL1577
- CQC certification per GB4943.1-2011
- CSA component notice 5A
- DIN VDE V 0884-11:2017-01

Applications

- Industrial automation system
- Isolated SPI, RS232, RS485
- General-purpose multichannel isolation
- Motor control

Device Information

Part Number	Package	Body Size
NSi824x-DSWR	SOP16(300mil)	10.30mm × 7.50mm
NSi824x-DSWWR	SOP16 (600mil)	10.30mm × 14.0mm

Functional Block Diagrams

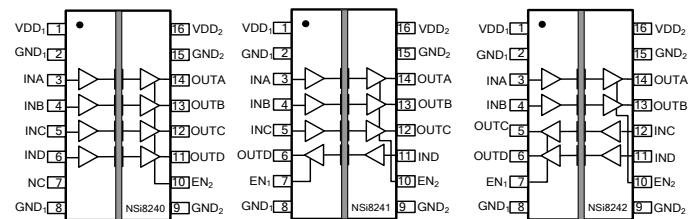


Figure 1. NSi824x Block Diagram

INDEX

1. PIN CONFIGURATION AND FUNCTIONS	3
2. ABSOLUTE MAXIMUM RATINGS.....	4
3. RECOMMENDED OPERATING CONDITIONS	4
4. THERMAL INFORMATION.....	5
5. SPECIFICATIONS.....	5
5.1. ELECTRICAL CHARACTERISTICS.....	5
5.2. SUPPLY CURRENT CHARACTERISTICS – 5V SUPPLY	6
5.3. SUPPLY CURRENT CHARACTERISTICS –3.3V SUPPLY	7
5.4. SUPPLY CURRENT CHARACTERISTICS–2.5V SUPPLY	8
5.5. SWITCHING CHARACTERISTICS - 5V SUPPLY	9
5.6. SWITCHING CHARACTERISTICS - 3.3V SUPPLY.....	10
5.7. SWITCHING CHARACTERISTICS - 2.5V SUPPLY.....	11
5.8. TYPICAL PERFORMANCE CHARACTERISTICS.....	12
5.9. PARAMETER MEASUREMENT INFORMATION	13
6. HIGH VOLTAGE FEATURE DESCRIPTION	14
6.1. INSULATION AND SAFETY RELATED SPECIFICATIONS	14
6.2. SAFETY-LIMITING VALUES	15
6.3. REGULATORY INFORMATION	16
7. FUNCTION DESCRIPTION	17
7.1. OVERVIEW	17
7.2. OOK MODULATION	18
8. APPLICATION NOTE.....	19
8.1. TYPICAL APPLICATION CIRCUIT.....	19
8.2. PCB LAYOUT	19
8.3. HIGH SPEED PERFORMANCE.....	20
8.4. TYPICAL SUPPLY CURRENT EQUATIONS	20
9. PACKAGE INFORMATION	21
10. ORDER INFORMATION.....	22
11. DOCUMENTATION SUPPORT	24
12. TAPE AND REEL INFORMATION.....	24
13. REVISION HISTORY	25

1. Pin Configuration and Functions

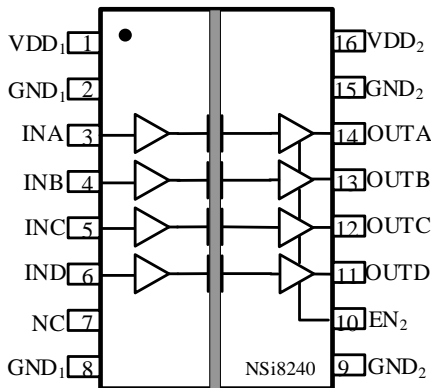


Figure 1.1 NSi8240W Package

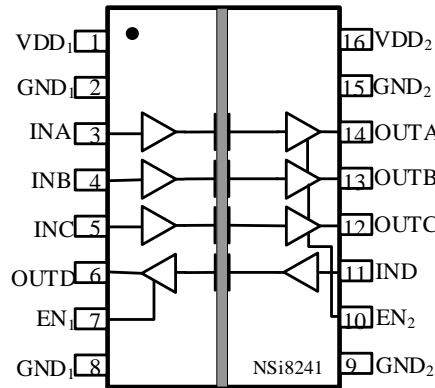


Figure 1.2 NSi8241W Package

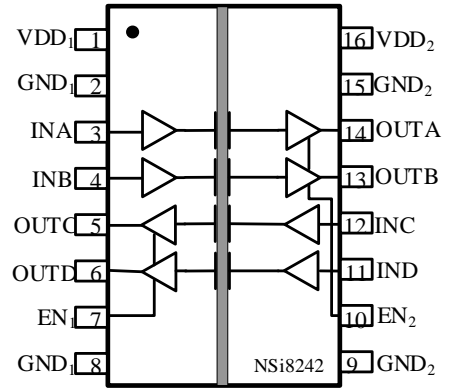


Figure 1.3 NSi8242W Package

Table 1.1 NSi8240W/ NSi8241W/ NSi8242W Pin Configuration and Description

NSi8240W PIN NO.	NSi8241W PIN NO.	NSi8242W PIN NO.	SYMBOL	FUNCTION
1	1	1	VDD ₁	Power Supply for Isolator Side 1
2	2	2	GND ₁	Ground 1, the ground reference for Isolator Side 1
3	3	3	INA	Logic Input A
4	4	4	INB	Logic Input B
5	5	12	INC	Logic Input C
6	11	11	IND	Logic Input D
7	7	7	NC/ EN ₁	No Connection. Or Output Enable 1. Active high logic input. When EN ₁ is high or NC, the output of Side 1 is enabled. When EN ₁ is low, the output of Side 1 is disabled to high impedance state.
8	8	8	GND ₁	Ground 1, the ground reference for Isolator Side 1
9	9	9	GND ₂	Ground 2, the ground reference for Isolator Side 2
10	10	10	EN ₂	Output Enable 2. Active high logic input. When EN ₂ is high or NC, the output of Side 2 is enabled. When EN ₂ is low, the output of Side 2 is disabled to high impedance state.
11	6	6	OUTD	Logic Output D
12	12	5	OUTC	Logic Output C
13	13	13	OUTB	Logic Output B
14	14	14	OUTA	Logic Output A

15	15	15	GND2	Ground 2, the ground reference for Isolator Side 2
16	16	16	VDD2	Power Supply for Isolator Side 2

2. Absolute Maximum Ratings

Parameters	Symbol	Min	Typ	Max	Unit	Comments
Power Supply Voltage	VDD1, VDD2	-0.5		6.5	V	
Maximum Input Voltage	VINA, VINB, VINC, VIND	-0.4		VDD+0.4	V	The maximum voltage must not exceed 6.5V
Maximum Output Voltage	VOUTA, VOUTB, VOUTC	-0.4		VDD+0.4	V	The maximum voltage must not exceed 6.5V
Maximum Input/Output Pulse Voltage	VINA, VINB, VINC, VOUTA, VOUTB, VOUTC	-0.8		VDD+0.8	V	Pulse width should be less than 100ns, and the duty cycle should be less than 10%
Common-Mode Transients	CMTI			±200	kV/us	
Output current	Io	-15		15	mA	
Maximum Surge Isolation Voltage	VIOSM			6.25	kV	
Operating Temperature	Topr	-40		125	°C	
Storage Temperature	Tstg	-40		150	°C	
Electrostatic discharge	HBM			±8000	V	
	CDM			±2000	V	

3. Recommended Operating Conditions

Parameters	Symbol	min	typ	max	unit
Power Supply Voltage	VDD1, VDD2	2.5		5.5	V
Operating Temperature	Topr	-40		125	°C
High Level Input Voltage	VIH	2			V
Low Level Input Voltage	VIL			0.8	V
Data rate	DR			150	Mbps

4. Thermal Information

Parameters	Symbol	SOP16(300mil)	SOP16(600mil)	Unit
IC Junction-to-Air Thermal Resistance	θ_{JA}	78.9	78.9	° C/W
Junction-to-case (top) thermal resistance	$\theta_{JC (top)}$	41.6	41.1	° C/W
Junction-to-board thermal resistance	θ_{JB}	43.6	49.5	° C/W

5. Specifications

5.1. Electrical Characteristics

(VDD1=2.5V~5.5V, VDD2=2.5V~5.5V, Ta=-40°C to 125°C. Unless otherwise noted, Typical values are at VDD1 = 5V, VDD2 = 5V, Ta = 25°C)

Parameters	Symbol	Min	Typ	Max	Unit	Comments
Power on Reset	VDD _{POR}		2.2		V	POR threshold as during power-up
	VDD _{HYS}		0.1		V	POR threshold Hysteresis
Input Threshold	V _{IT}		1.6		V	Input Threshold at rising edge
	V _{IT_HYS}		0.4		V	Input Threshold Hysteresis
High Level Input Voltage	V _{IH}	2			V	
Low Level Input Voltage	V _{IL}			0.8	V	
High Level Output Voltage	V _{OH}	VDD-0.4			V	I _{OH} = -4mA
Low Level Output Voltage	V _{OL}			0.4	V	I _{OL} = 4mA
Output Impedance	R _{out}		50		ohm	
Input Pull high or low Current	I _{pull}		8	15	uA	
Start Up Time after POR	tr _{bs}		10		us	
Common Mode Transient Immunity	CMTI	150	200		kV/us	See Figure 5.11 , C _L = 15pF

5.2. Supply Current Characteristics – 5V Supply

(VDD1=5V± 10%, VDD2=5V± 10%, Ta=-40°C to 125°C. Unless otherwise noted, Typical values are at VDD1 = 5V, VDD2 = 5V, Ta = 25°C)

Parameters	Symbol	Min	Typ	Max	Unit	Comments
Supply current	NSi8240					
	I _{DD1} (Q0)		1.18	3.50	mA	All Input 0V for NSi8240x0 Or All Input at supply for NSi8240x1
	I _{DD2} (Q0)		2.58	3.87	mA	
	I _{DD1} (Q1)		5.6	8.4	mA	All Input at supply for NSi8240x0 Or All Input 0V for NSi8240x1
	I _{DD2} (Q1)		2.64	3.96	mA	
	I _{DD1} (1M)		3.4	5.1	mA	All Input with 1Mbps, C _L =15pF
	I _{DD2} (1M)		2.78	4.17	mA	
	I _{DD1} (10M)		3.56	5.34	mA	All Input with 10Mbps, C _L =15pF
	I _{DD2} (10M)		4.26	6.39	mA	
	I _{DD1} (100M)		4.98	7.47	mA	All Input with 100Mbps, C _L =15pF
	I _{DD2} (100M)		18.44	27.66	mA	
	NSi8241					
	I _{DD1} (Q0)		1.53	2.295	mA	All Input 0V for NSi8241x0 Or All Input at supply for NSi8241x1
	I _{DD2} (Q0)		2.23	3.345	mA	
	I _{DD1} (Q1)		4.86	7.29	mA	All Input at supply for NSi8241x0 Or All Input 0V for NSi8241x1
	I _{DD2} (Q1)		3.38	5.07	mA	
	I _{DD1} (1M)		3.25	4.875	mA	All Input with 1Mbps, C _L =15pF
	I _{DD2} (1M)		2.94	4.41	mA	
	I _{DD1} (10M)		3.74	5.61	mA	All Input with 10Mbps, C _L =15pF
	I _{DD2} (10M)		4.09	6.135	mA	
	I _{DD1} (100M)		8.35	12.525	mA	All Input with 100Mbps, C _L = 15pF
	I _{DD2} (100M)		15.08	22.62	mA	
	NSi8242					
	I _{DD1} (Q0)		1.88	2.82	mA	All Input 0V for NSi8242x0 Or All Input at supply for NSi8242x1
	I _{DD2} (Q0)		1.88	2.82	mA	
	I _{DD1} (Q1)		4.12	6.18	mA	All Input at supply for NSi8242x0 Or All Input 0V for NSi8242x1
	I _{DD2} (Q1)		4.12	6.18	mA	

Parameters	Symbol	Min	Typ	Max	Unit	Comments
	I _{DD1} (1M)		3.09	4.635	mA	All Input with 1Mbps, C _L =15pF
	I _{DD2} (1M)		3.09	4.635	mA	
	I _{DD1} (10M)		3.91	5.865	mA	All Input with 10Mbps, C _L =15pF
	I _{DD2} (10M)		3.91	5.865	mA	
	I _{DD1} (100M)		11.71	17.565	mA	All Input with 100Mbps, C _L = 15pF
	I _{DD2} (100M)		11.71	17.565	mA	

5.3. Supply Current Characteristics –3.3V Supply

(VDD1=3.3V± 10%, VDD2=3.3V± 10%, Ta=-40°C to 125°C. Unless otherwise noted, Typical values are at VDD1 = 3.3V, VDD2 = 3.3V, Ta = 25°C)

Parameters	Symbol	Min	Typ	Max	Unit	Comments
Supply current	NSi8240					
	I _{DD1} (Q0)		1.11	3.30	mA	All Input 0V for NSi8240x0 Or All Input at supply for NSi8240x1
	I _{DD2} (Q0)		2.48	3.72	mA	
	I _{DD1} (Q1)		5.51	8.265	mA	All Input at supply for NSi8240x0 Or All Input 0V for NSi8240x1
	I _{DD2} (Q1)		2.54	3.81	mA	
	I _{DD1} (1M)		3.32	4.98	mA	All Input with 1Mbps, C _L =15pF
	I _{DD2} (1M)		2.62	3.93	mA	
	I _{DD1} (10M)		3.42	5.13	mA	All Input with 10Mbps, C _L =15pF
	I _{DD2} (10M)		3.60	5.4	mA	
	I _{DD1} (100M)		4.40	6.6	mA	All Input with 100Mbps, C _L =15pF
	I _{DD2} (100M)		13.00	19.5	mA	
	NSi8241					
	I _{DD1} (Q0)		1.45	2.175	mA	All Input 0V for NSi8241x0 Or All Input at supply for NSi8241x1
	I _{DD2} (Q0)		2.14	3.21	mA	
	I _{DD1} (Q1)		4.77	7.155	mA	All Input at supply for NSi8241x0 Or All Input 0V for NSi8241x1
	I _{DD2} (Q1)		3.28	4.92	mA	
	I _{DD1} (1M)		3.15	4.725	mA	All Input with 1Mbps, C _L =15pF
	I _{DD2} (1M)		2.80	4.2	mA	

Parameters	Symbol	Min	Typ	Max	Unit	Comments
	I _{DD1} (10M)		3.47	5.205	mA	All Input with 10Mbps, C _L =15pF
	I _{DD2} (10M)		3.56	5.34	mA	
	I _{DD1} (100M)		6.55	9.825	mA	All Input with 100Mbps, C _L = 15pF
	I _{DD2} (100M)		10.85	16.275	mA	
NSi8242						
	I _{DD1} (Q0)		1.80	2.7	mA	All Input 0V for NSi8242x0 Or All Input at supply for NSi8242x1
	I _{DD2} (Q0)		1.80	2.7	mA	
	I _{DD1} (Q1)		4.03	6.045	mA	All Input at supply for NSi8242x0 Or All Input 0V for NSi8242x1
	I _{DD2} (Q1)		4.03	6.045	mA	
	I _{DD1} (1M)		2.97	4.455	mA	All Input with 1Mbps, C _L =15pF
	I _{DD2} (1M)		2.97	4.455	mA	
	I _{DD1} (10M)		3.51	5.265	mA	All Input with 10Mbps, C _L =15pF
	I _{DD2} (10M)		3.51	5.265	mA	
	I _{DD1} (100M)		8.70	13.05	mA	All Input with 100Mbps, C _L = 15pF
	I _{DD2} (100M)		8.70	13.05	mA	

5.4. Supply Current Characteristics–2.5V Supply

(VDD1=2.5V± 10%, VDD2=2.5V± 10%, Ta=-40°C to 125°C. Unless otherwise noted, Typical values are at VDD1 = 2.5V, VDD2 = 2.5V, Ta = 25°C)

Parameters	Symbol	Min	Typ	Max	Unit	Comments
Supply current	NSi8240					
	I _{DD1} (Q0)		1.08	3.00	mA	All Input 0V for NSi8240x0 Or All Input at supply for NSi8240x1
		I _{DD2} (Q0)		2.44	3.66	
	I _{DD1} (Q1)		5.46	8.19	mA	All Input at supply for NSi8240x0 Or All Input 0V for NSi8240x1
		I _{DD2} (Q1)		2.48	3.72	
	I _{DD1} (1M)		3.28	4.92	mA	All Input with 1Mbps, C _L =15pF
		I _{DD2} (1M)		2.54	3.81	
	I _{DD1} (10M)		3.34	5.01	mA	All Input with 10Mbps, C _L =15pF
I _{DD2} (10M)			3.30	4.95	mA	

Parameters	Symbol	Min	Typ	Max	Unit	Comments
	I _{DD1} (100M)		3.96	5.94	mA	All Input with 100Mbps, C _L =15pF
	I _{DD2} (100M)		10.44	15.66	mA	
NSi8241						
	I _{DD1} (Q0)		1.42	2.13	mA	All Input 0V for NSi8241x0 Or All Input at supply for NSi8241x1
	I _{DD2} (Q0)		2.10	3.15	mA	
	I _{DD1} (Q1)		4.72	7.08	mA	All Input at supply for NSi8241x0 Or All Input 0V for NSi8241x1
	I _{DD2} (Q1)		3.23	4.845	mA	
	I _{DD1} (1M)		3.10	4.65	mA	All Input with 1Mbps, C _L =15pF
	I _{DD2} (1M)		2.73	4.095	mA	
	I _{DD1} (10M)		3.33	4.995	mA	All Input with 10Mbps, C _L =15pF
	I _{DD2} (10M)		3.31	4.965	mA	
	I _{DD1} (100M)		5.58	8.37	mA	All Input with 100Mbps, C _L = 15pF
	I _{DD2} (100M)		8.82	13.23	mA	
NSi8242						
	I _{DD1} (Q0)		1.76	2.64	mA	All Input 0V for NSi8242x0 Or All Input at supply for NSi8242x1
	I _{DD2} (Q0)		1.76	2.64	mA	
	I _{DD1} (Q1)		3.97	5.955	mA	All Input at supply for NSi8242x0 Or All Input 0V for NSi8242x1
	I _{DD2} (Q1)		3.97	5.955	mA	
	I _{DD1} (1M)		2.91	4.365	mA	All Input with 1Mbps, C _L =15pF
	I _{DD2} (1M)		2.91	4.365	mA	
	I _{DD1} (10M)		3.32	4.98	mA	All Input with 10Mbps, C _L =15pF
	I _{DD2} (10M)		3.32	4.98	mA	
	I _{DD1} (100M)		7.20	10.8	mA	All Input with 100Mbps, C _L = 15pF
	I _{DD2} (100M)		7.20	10.8	mA	

5.5. Switching Characteristics - 5V Supply

(VDD1=5V± 10%, VDD2=5V± 10%, Ta=-40°C to 125°C. Unless otherwise noted, Typical values are at VDD1 = 5V, VDD2 = 5V, Ta = 25°C)

Parameters	Symbol	Min	Typ	Max	Unit	Comments
Data Rate	DR	0		150	Mbps	

Parameters	Symbol	Min	Typ	Max	Unit	Comments
Minimum Pulse Width	PW			5.0	ns	
Propagation Delay	t_{PLH}	2.5	6.54	15	ns	See Figure 5.9 , $C_L = 15pF$
	t_{PHL}	2.5	8.30	15	ns	See Figure 5.9 , $C_L = 15pF$
Pulse Width Distortion $ t_{PHL} - t_{PLH} $	PWD			5.0	ns	See Figure 5.9 , $C_L = 15pF$
Rising Time	t_r			5.0	ns	See Figure 5.9 , $C_L = 15pF$
Falling Time	t_f			5.0	ns	See Figure 5.9 , $C_L = 15pF$
Peak Eye Diagram Jitter	$t_{JIT}(PK)$		350		ps	
Channel-to-Channel Delay Skew	$t_{SK}(c2c)$			2.5	ns	
Part-to-Part Delay Skew	$t_{SK}(p2p)$			5.0	ns	
Disable high to Tri-State	t_{PHZ}		10.0	25	ns	See Figure 5.10 , $C_L = 15pF$, $R_L=1k$
Enable to Data high Valid	t_{PZH}		8.3	25	ns	See Figure 5.10 , $C_L = 15pF$, $R_L=1k$
Disable low to Tri-State	t_{PLZ}		10.2	25	ns	See Figure 5.10 , $C_L = 15pF$, $R_L=1k$
Enable to Data high Valid	t_{PZL}		8.6	25	ns	See Figure 5.10 , $C_L = 15pF$, $R_L=1k$

5.6. Switching Characteristics - 3.3V Supply

(VDD1=3.3V± 10%, VDD2=3.3V± 10%, Ta=-40°C to 125°C. Unless otherwise noted, Typical values are at VDD1 = 3.3V, VDD2 = 3.3V, Ta = 25°C)

Parameters	Symbol	Min	Typ	Max	Unit	Comments
Data Rate	DR	0		150	Mbps	
Minimum Pulse Width	PW			5.0	ns	
Propagation Delay	t_{PLH}	2.5	7.5	15	ns	See Figure 5.9 , $C_L = 15pF$
	t_{PHL}	2.5	8.7	15	ns	See Figure 5.9 , $C_L = 15pF$
Pulse Width Distortion $ t_{PHL} - t_{PLH} $	PWD			5.0	ns	See Figure 5.9 , $C_L = 15pF$
Rising Time	t_r			5.0	ns	See Figure 5.9 , $C_L = 15pF$
Falling Time	t_f			5.0	ns	See Figure 5.9 , $C_L = 15pF$
Peak Eye Diagram Jitter	$t_{JIT}(PK)$		350		ps	
Channel-to-Channel Delay Skew	$t_{SK}(c2c)$			2.5	ns	

Parameters	Symbol	Min	Typ	Max	Unit	Comments
Part-to-Part Delay Skew	$t_{sk}(p2p)$			5.0	ns	
Disable high to Tri-State	t_{PHZ}		11.6	25	ns	See Figure 5.10 , $C_L = 15pF$, $R_L=1k$
Enable to Data high Valid	t_{PZH}		11.7	25	ns	See Figure 5.10 , $C_L = 15pF$, $R_L=1k$
Disable low to Tri-State	t_{PLZ}		14.5	25	ns	See Figure 5.10 , $C_L = 15pF$, $R_L=1k$
Enable to Data high Valid	t_{PZL}		11.8	25	ns	See Figure 5.10 , $C_L = 15pF$, $R_L=1k$

5.7. Switching Characteristics - 2.5V Supply

(VDD1=2.5V± 10%, VDD2=2.5V± 10%, Ta=-40°C to 125°C. Unless otherwise noted, Typical values are at VDD1 = 2.5V, VDD2 = 2.5V, Ta = 25°C)

Parameters	Symbol	Min	Typ	Max	Unit	Comments
Data Rate	DR	0		150	Mbps	
Minimum Pulse Width	PW			5.0	ns	
Propagation Delay	t_{PLH}	2.5	9.0	15	ns	See Figure 5.9 , $C_L = 15pF$
	t_{PHL}	2.5	9.3	15	ns	See Figure 5.9 , $C_L = 15pF$
Pulse Width Distortion $ t_{PHL} - t_{PLH} $	PWD			5.0	ns	See Figure 5.9 , $C_L = 15pF$
Rising Time	t_r			5.0	ns	See Figure 5.9 , $C_L = 15pF$
Falling Time	t_f			5.0	ns	See Figure 5.9 , $C_L = 15pF$
Peak Eye Diagram Jitter	$t_{jit}(PK)$		350		ps	
Channel-to-Channel Delay Skew	$t_{sk}(c2c)$			2.5	ns	
Part-to-Part Delay Skew	$t_{sk}(p2p)$			5.0	ns	
Disable high to Tri-State	t_{PHZ}		12.2	25	ns	See Figure 5.10 , $C_L = 15pF$, $R_L=1k$
Enable to Data high Valid	t_{PZH}		17.0	25	ns	See Figure 5.10 , $C_L = 15pF$, $R_L=1k$
Disable low to Tri-State	t_{PLZ}		17.2	25	ns	See Figure 5.10 , $C_L = 15pF$, $R_L=1k$
Enable to Data high Valid	t_{PZL}		17.8	25	ns	See Figure 5.10 , $C_L = 15pF$, $R_L=1k$

5.8. Typical Performance Characteristics

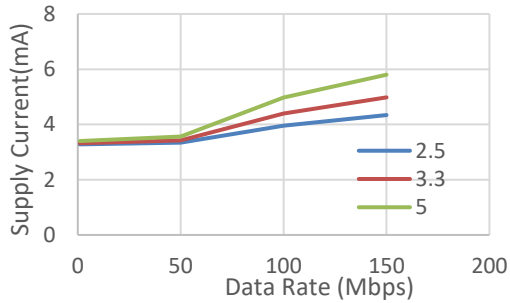


Figure 5.1 NSi8240 VDD1 Supply Current vs Data Rate

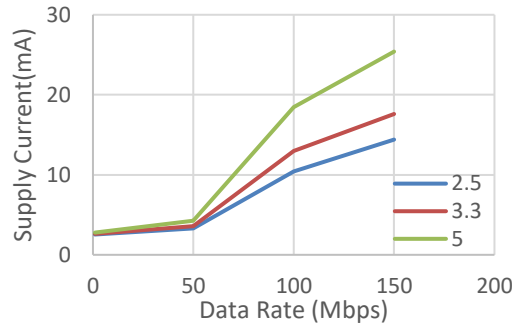


Figure 5.2 NSi8240 VDD2 Supply Current vs Data Rate

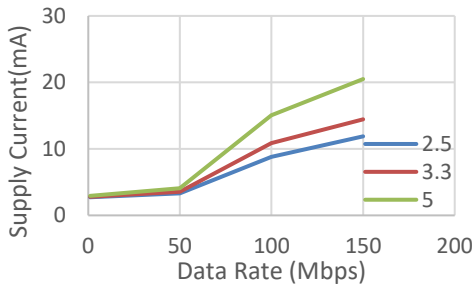


Figure 5.3 NSi8241 VDD1 Supply Current vs Data Rate

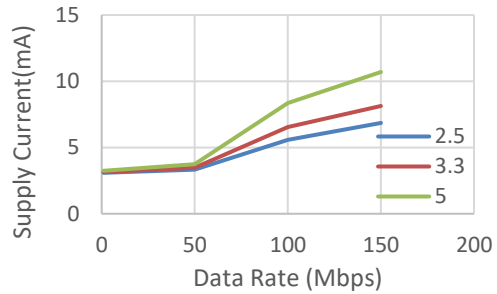


Figure 5.4 NSi8241 VDD2 Supply Current vs Data Rate

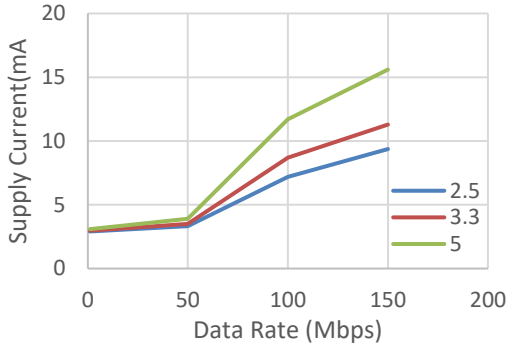


Figure 5.5 NSi8242 VDD1 Supply Current vs Data Rate

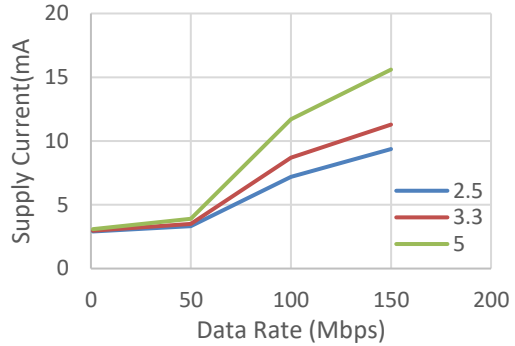


Figure 5.6 NSi8242 VDD2 Supply Current vs Data Rate

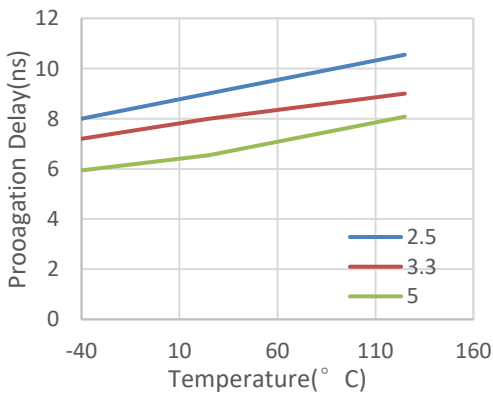


Figure 5.7 Rising Edge Propagation Delay Vs Temp

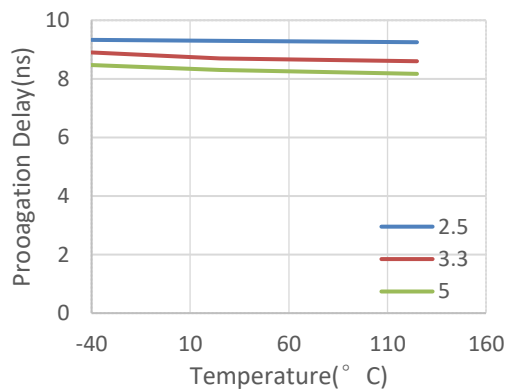


Figure 5.8 Falling Edge Propagation Delay Vs Temp

5.9. Parameter Measurement Information

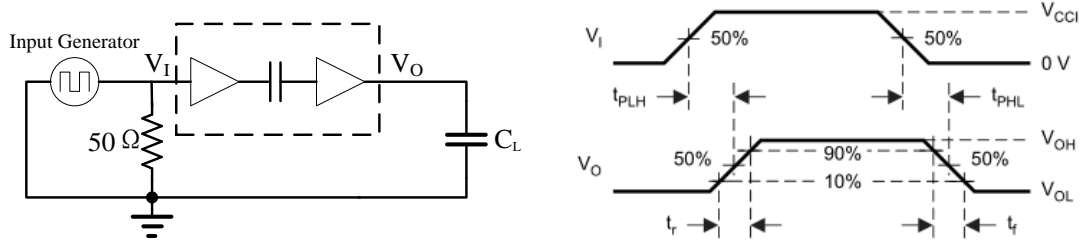


Figure 5.9 Switching Characteristics Test Circuit and Waveform

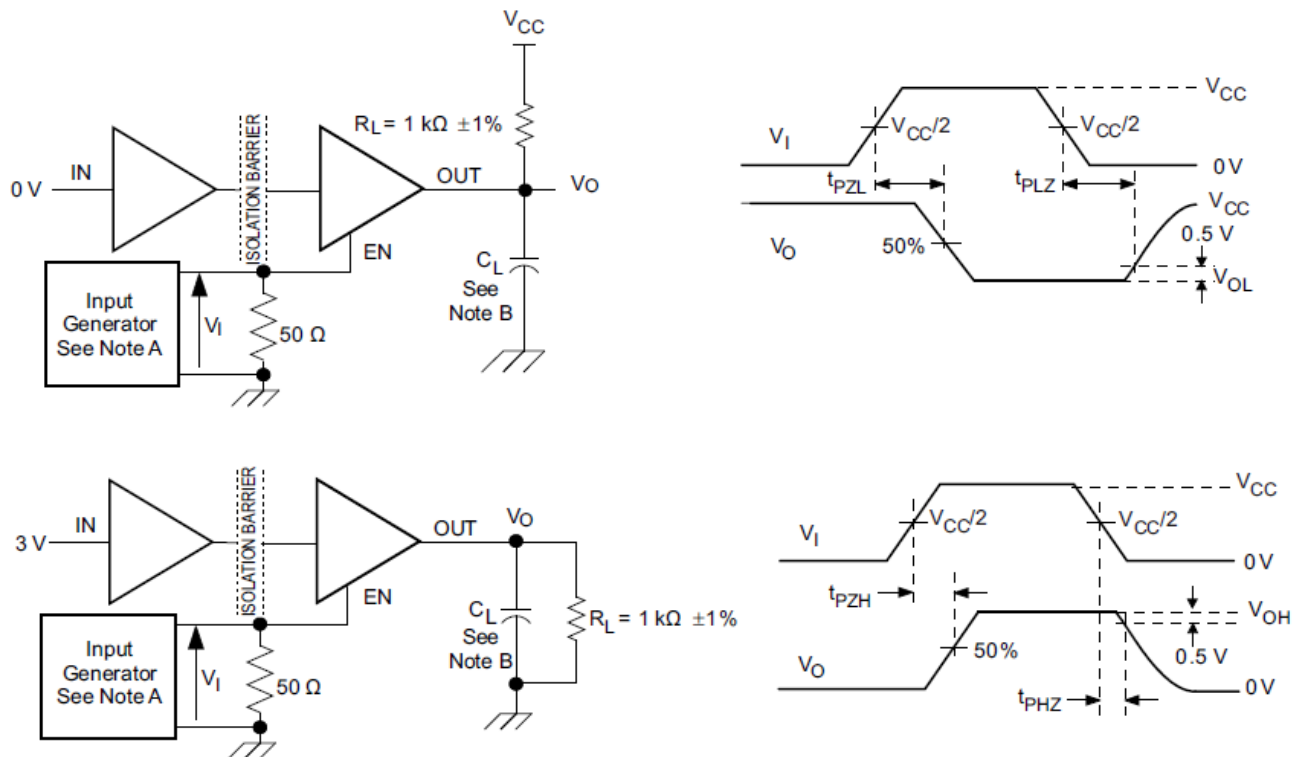


Figure 5.10 Enable/Disable Propagation Delay Time Test Circuit and Waveform

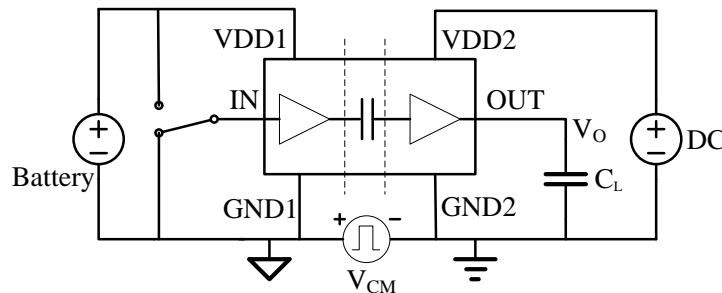


Figure 5.11 Common-Mode Transient Immunity Test Circuit

6. High Voltage Feature Description

6.1. Insulation and Safety Related Specifications

Description	Test Condition	Symbol	Value		Unit
			SOP16 (300mil)	SOP16 (600mil)	
Min. External Air Gap (Clearance)		CLR	8	15	mm
Min. External Tracking (Creepage)		CPG	8	15	mm
Distance through the Insulation		DTI	32		um
Comparative Tracking Index	DIN EN 60112 (VDE 0303-11)	CTI	>600		V
Material Group	IEC 60112		I		
Installation Classification per DIN VDE 0110					
For Rated Mains Voltage ≤ 150Vrms			I to IV	I to IV	
For Rated Mains Voltage ≤ 300Vrms			I to IV	I to IV	
For Rated Mains Voltage ≤ 600Vrms			I to IV	I to IV	
For Rated Mains Voltage ≤ 1000Vrms			I to III	I to III	
Insulation Specification per DIN VDE V 0884-11:2017-01 ¹⁾					
Climatic Category			40/125/21		
Pollution Degree	per DIN VDE 0110, Table 1		2		
Maximum Working Isolation Voltage	AC voltage	V _{IOWM}	1500	1500	V _{RMS}
	DC voltage		2121	2121	V _{DC}
Maximum Repetitive Isolation Voltage		V _{IORM}	2121	2121	V _{peak}
Input to Output Test Voltage, Method B1	V _{ini. b} = V _{IOTM} , V _{pd(m)} = V _{IORM} × 1.875, t _{ini} = t _m = 1 sec, q _{pd} ≤ 5 pC, 100% production test	V _{pd (m)}	3977	3977	V _{peak}
Input to Output Test Voltage, Method A. After Environmental Tests Subgroup 1	V _{ini. a} = V _{IOTM} , V _{pd(m)} = V _{IORM} × 1.6, t _{ini} = 60 sec, t _m = 10 sec, q _{pd} ≤ 5 pC	V _{pd (m)}	3394	3394	V _{peak}
Input to Output Test Voltage, Method A. After Input and Output Safety Test Subgroup 2 and Subgroup 3	V _{ini. a} = V _{IOTM} , V _{pd(m)} = V _{IORM} × 1.2, t _{ini} = 60 sec, t _m = 10 sec, q _{pd} ≤ 5 pC	V _{pd (m)}	2545	2545	V _{peak}

Description	Test Condition	Symbol	Value		Unit
Maximum Transient Isolation Voltage	t = 60 sec	V_{IOTM}	8000	8000	V_{peak}
Maximum Surge Isolation Voltage	Test method per IEC62368-1, 1.2/50us waveform, $V_{TEST} = 1.6 \times V_{IOSM}$		6250	6250	V_{peak}
Isolation Resistance	$V_{IO} = 500 \text{ V}, T_{amb} = T_S$	R_{IO}	$>10^9$		Ω
	$V_{IO} = 500 \text{ V}, 100 \text{ }^\circ\text{C} \leq T_{amb} \leq 125 \text{ }^\circ\text{C}$		$>10^{11}$		Ω
Isolation Capacitance	f = 1MHz	C_{IO}	1.2		pF
Insulation Specification per UL1577					
Withstand Isolation Voltage	$V_{TEST} = 1.2 \times V_{ISO}, t = 1 \text{ sec},$ 100% production test	V_{ISO}	5000	5000	V_{rms}

1) This coupler is suitable for “safe electrical insulation” only within the safety ratings. Compliance with the safety ratings shall be ensured by means of suitable protective circuits.

6.2. Safety-Limiting Values

Reinforced isolation safety-limiting values as outlined in VDE-0884-11 of NSI824x-xSWxR (SOP16(300mil)/SOP16(600mil))

Description	Test Condition	Value		Unit
Safety Supply Power	$R_{\theta JA} = 78.9 \text{ }^\circ\text{C/W}, T_J = 150 \text{ }^\circ\text{C}, T_A = 25 \text{ }^\circ\text{C}$	1584		mW
Safety Supply Current	$R_{\theta JA} = 78.9 \text{ }^\circ\text{C/W}, V_I = 5\text{V}, T_J = 150 \text{ }^\circ\text{C}, T_A = 25 \text{ }^\circ\text{C}$	316.8		mA
Safety Temperature ²⁾		150		$^\circ\text{C}$

- 1) Calculate with the junction-to-air thermal resistance, $R_{\theta JA}$, of SOP16(300mil)/SOP16(600mil) package ([Thermal Information Table](#)) which is that of a device installed on a low effective thermal conductivity test board (1s) according to JESD51-3.
- 2) The maximum safety temperature has the same value as the maximum junction temperature (T_J) specified for the device.

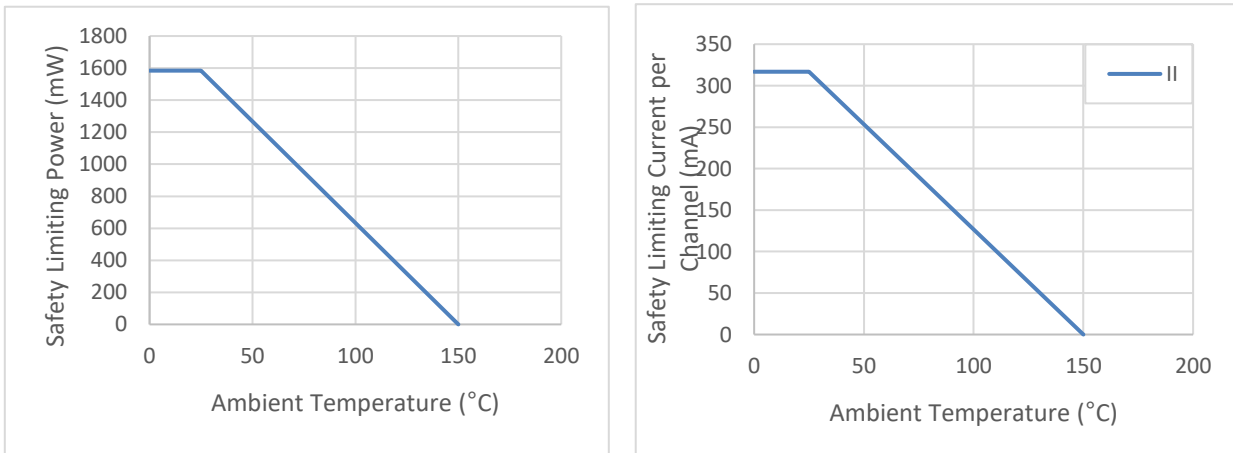


Figure 6.1 NSI824x Thermal derating Curve, Dependence of Safety Limiting Values with Case Temperature per DIN VDE V 0884-11

6.3. Regulatory Information

The NSi824xW-DSWR are approved or pending approval by the organizations listed in table.

<i>CUL</i>		<i>VDE</i>	<i>CQC</i>
UL 1577 Component Recognition Program ¹	Approved under CSA Component Acceptance Notice 5A	DIN VDE V 0884-11(VDE V 0884-11):2017-01 ²	Certified by CQC11-471543-2012 GB4943.1-2011
Single Protection, 5000V _{rms} Isolation voltage	Single Protection, 5000V _{rms} Isolation voltage	Reinforce Insulation 2121Vpeak, V _{IOSM} =6250Vpeak	Reinforced insulation at 1500V _{RMS} (2121Vpeak)
File (pending)	File (pending)	File (pending)	File (pending)

The NSi824xW-DSWWR are approved or pending approval by the organizations listed in table.

<i>CUL</i>		<i>VDE</i>	<i>CQC</i>
UL 1577 Component Recognition Program ¹	Approved under CSA Component Acceptance Notice 5A	DIN VDE V 0884-11(VDE V 0884-11):2017-01 ²	Certified by CQC11-471543-2012 GB4943.1-2011
Single Protection, 5000V _{rms} Isolation voltage	Single Protection, 5000V _{rms} Isolation voltage	Reinforce Insulation 2121Vpeak, V _{IOSM} =6250Vpeak	Reinforced insulation at 1500V _{RMS} (2121Vpeak)
File (pending)	File (pending)	File (pending)	File (pending)

7. Function Description

7.1. Overview

The NSi824x is a Quad-channel digital isolator based on a capacitive isolation barrier technique. The digital signal is modulated with RF carrier generated by the internal oscillator at the Transmitter side. Then it is transferred through the capacitive isolation barrier and demodulated at the Receiver side.

The NSi824x devices are high reliability quad-channel digital isolator with AEC-Q100 qualified. The NSi824x device is safety certified by UL1577 support 5kV_{rms} insulation withstand voltages, while providing high electromagnetic immunity and low emissions at low power consumption. The data rate of the NSi824x is up to 150Mbps, and the common-mode transient immunity (CMTI) is up to 200kV/us. The NSi824x device provides digital channel direction configuration and the default output level configuration when the input power is lost. Wide supply voltage of the NSi824x device support to connect with most digital interface directly, easy to do the level shift. High system level EMC performance enhance reliability and stability of use.

The NSi824x has a default output status when VDDIN is unready and VDDOUT is ready as shown in Table 4.1, which helps for diagnosis when power is missing at the transmitter side. The output B follows the same status with the input A after powering up.

Table 7.1 Output status vs. power status

<i>Input</i>	<i>EN_x</i>	<i>VDD1 status</i>	<i>VDD2 status</i>	<i>Output</i>	<i>Comment</i>
H	H or NC	Ready	Ready	H	Normal operation.
L	H or NC	Ready	Ready	L	
X	L	Ready	Ready	Z	Output Disabled, the output is high impedance
X	H or NC	Unready	Ready	L(NSi824xx0) H(NSi824xx1)	The output follows the same status with the input after input side VDD1 is powered on.
X	L	Unready	Ready	Z	Output Disabled, the output is high impedance
X	X	Ready	Unready	X	The output follows the same status with the input after output side VDD2 is powered on.

7.2. OOK Modulation

NSi824x is based on a capacitive isolation barrier technique and the digital signal is modulated with RF carrier generated by the internal oscillator at the transmitter side, as shown in Fig.1, then it is transferred through the capacitive isolation barrier and demodulated at the receiver side. The modulation uses OOK modulation technique with key benefits of high noise immunity and low radiation EMI.

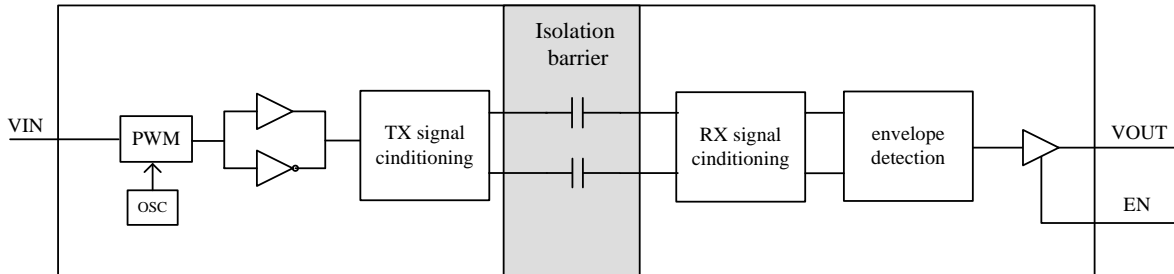


Figure 7.1 Single Channel Function Block Diagram

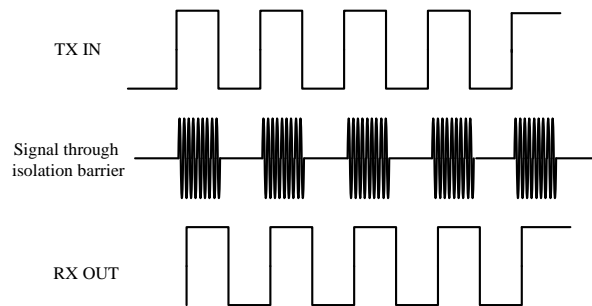


Figure 7.2 OOK Modulation

8. Application Note

8.1. Typical Application Circuit

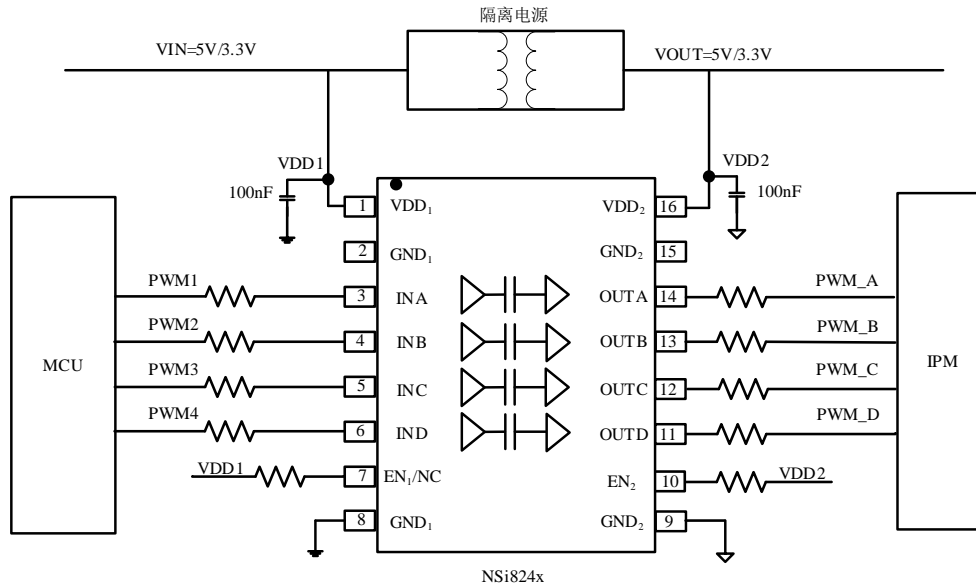


Figure 8.1 Typical PWM isolation circuit for IPM

8.2. PCB Layout

The NSi824x requires a 0.1 μF bypass capacitor between VDD1 and GND1, VDD2 and GND2. The capacitor should be placed as close as possible to the package. Figure 8.1 to Figure 8.2 show the recommended PCB layout, make sure the space under the chip should keep free from planes, traces, pads and via. To enhance the robustness of a design, the user may also include resistors (50–300 Ω) in series with the inputs and outputs if the system is excessively noisy. The series resistors also improve the system reliability such as latch-up immunity.

The typical output impedance of an isolator driver channel is approximately 50 Ω , $\pm 40\%$. When driving loads where transmission line effects will be a factor, output pins should be appropriately terminated with controlled impedance PCB traces.

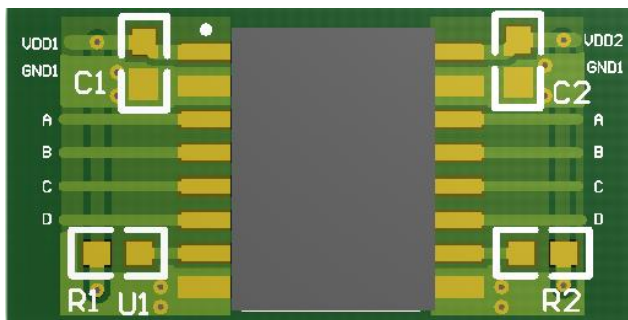
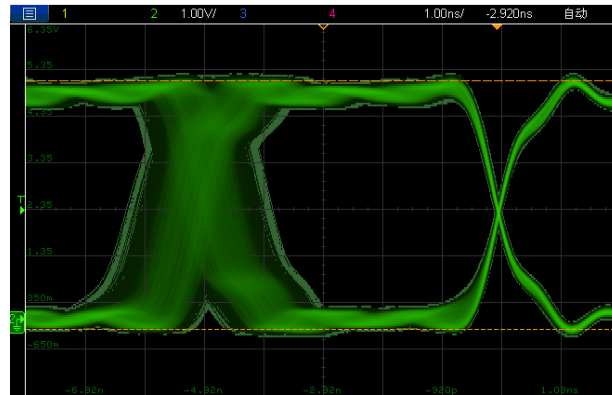


Figure8.2 Recommended PCB Layout — Top Layer



Figure8.3 Recommended PCB Layout — Bottom Layer

8.3. High Speed Performance



8.4. Typical Supply Current Equations

The typical supply current of NSi824x can be calculated using below equations. I_{DD1} and I_{DD2} are typical supply currents measured in mA, f is data rate measured in Mbps, C_L is the capacitive load measured in pF

NSi8240:

$$I_{DD1} = 0.19 * a1 + 1.45 * b1 + 0.82 * c1.$$

$$I_{DD2} = 1.36 + VDD1 * f * C_L * c1 * 10^{-9}$$

When $a1$ is the channel number of low input at side 1, $b1$ is the channel number of high input at side 1, $c1$ is the channel number of switch signal input at side 1.

NSi8241:

$$I_{DD1} = 0.87 + 1.26 * b1 + 0.63 * c1 + VDD1 * f * C_L * c2 * 10^{-9}$$

$$I_{DD2} = 0.87 + 1.26 * b2 + 0.63 * c2 + VDD1 * f * C_L * c1 * 10^{-9}$$

When $b1$ is the channel number of high input at side 1, $c1$ is the channel number of switch signal input at side 1, $b2$ is the channel number of high input at side 2, $c2$ is the channel number of switch signal input at side 2.

NSi8242:

$$I_{DD1} = 0.87 + 1.26 * b1 + 0.63 * c1 + VDD1 * f * C_L * c2 * 10^{-9}$$

$$I_{DD2} = 0.87 + 1.26 * b2 + 0.63 * c2 + VDD1 * f * C_L * c1 * 10^{-9}$$

When $b1$ is the channel number of high input at side 1, $c1$ is the channel number of switch signal input at side 1, $b2$ is the channel number of high input at side 2, $c2$ is the channel number of switch signal input at side 2.

9. Package information

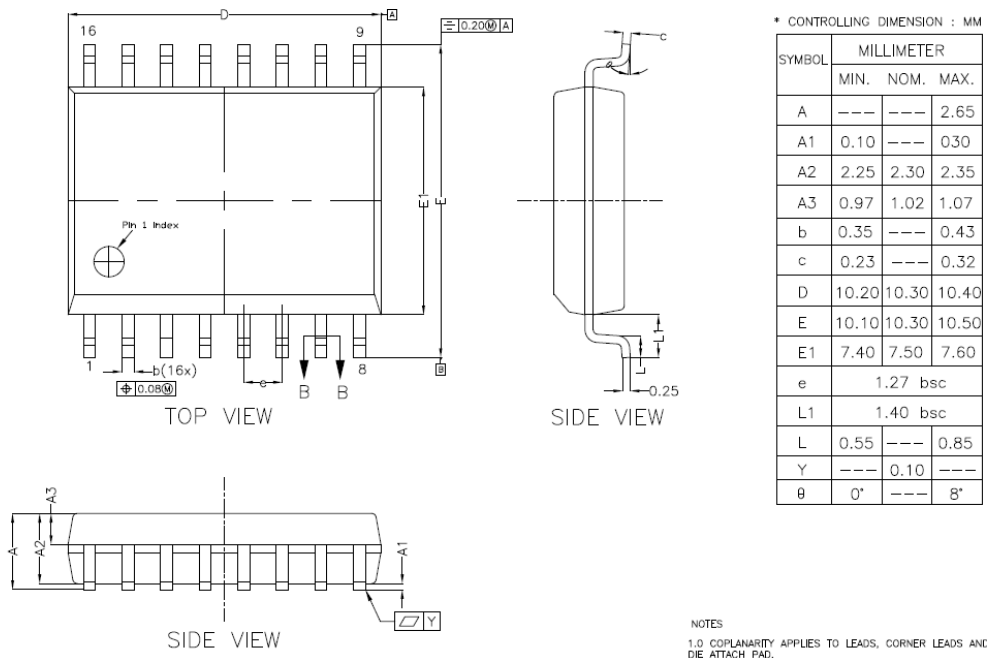


Figure 9.1 SOP16(300mil) Package Shape and Dimension in millimeters

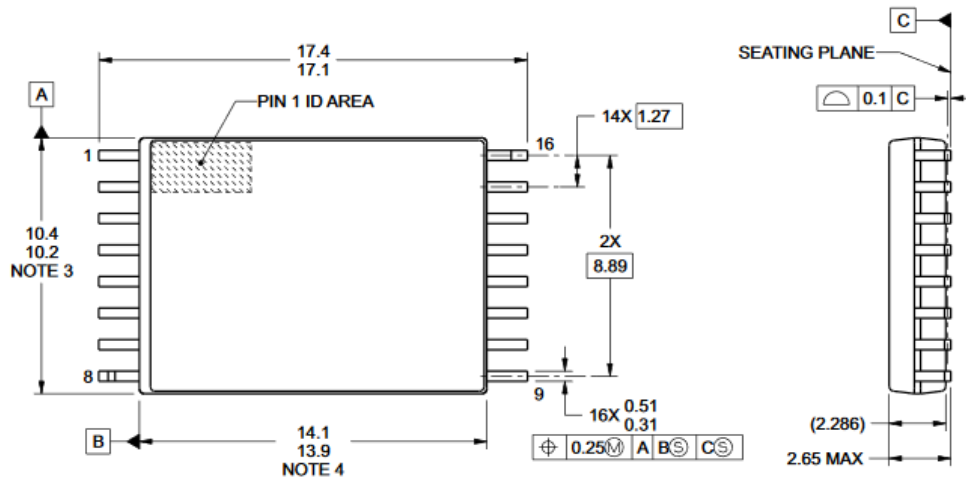


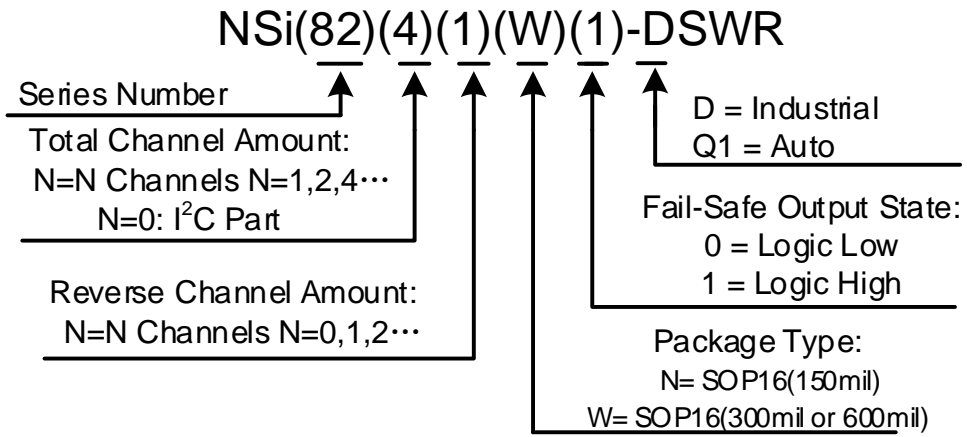
Figure 9.2 SOP16(600mil) Package Shape and Dimension in millimeters

10. Order information

Part Number	Isolation Rating (kV)	Number of side 1 inputs	Number of side 2 inputs	Max Data Rate (Mbps)	Default Output State	Temperature	MSL	Package Type	Package Drawin g	SPQ
NSi8240W0-DSWR	5	4	0	150	Low	-40 to 125°C	2	SOP16 (300mil)	SOW16	1000
NSi8240W1-DSWR	5	4	0	150	High	-40 to 125°C	2	SOP16 (300mil)	SOW16	1000
NSi8241W0-DSWR	5	3	1	150	Low	-40 to 125°C	2	SOP16 (300mil)	SOW16	1000
NSi8241W1-DSWR	5	3	1	150	High	-40 to 125°C	2	SOP16 (300mil)	SOW16	1000
NSi8242W0-DSWR	5	2	2	150	Low	-40 to 125°C	2	SOP16 (300mil)	SOW16	1000
NSi8242W1-DSWR	5	2	2	150	High	-40 to 125°C	2	SOP16 (300mil)	SOW16	1000
NSi8240W0-Q1SWR	5	4	0	150	Low	-40 to 125°C	2	SOP16 (300mil)	SOW16	1000
NSi8240W1-Q1SWR	5	4	0	150	High	-40 to 125°C	2	SOP16 (300mil)	SOW16	1000
NSi8241W0-Q1SWR	5	3	1	150	Low	-40 to 125°C	2	SOP16 (300mil)	SOW16	1000
NSi8241W1-Q1SWR	5	3	1	150	High	-40 to 125°C	2	SOP16 (300mil)	SOW16	1000
NSi8242W0-Q1SWR	5	2	2	150	Low	-40 to 125°C	2	SOP16 (300mil)	SOW16	1000
NSi8242W1-Q1SWR	5	2	2	150	High	-40 to 125°C	2	SOP16 (300mil)	SOW16	1000
NSi8240W0-DSWWR	5	4	0	150	Low	-40 to 125°C	2	SOP16 (600mil)	SOWW 16	1000
NSi8240W1-DSWWR	5	4	0	150	High	-40 to 125°C	2	SOP16 (600mil)	SOWW 16	1000
NSi8241W0-DSWWR	5	3	1	150	Low	-40 to 125°C	2	SOP16 (600mil)	SOWW 16	1000
NSi8241W1-DSWWR	5	3	1	150	High	-40 to 125°C	2	SOP16 (600mil)	SOWW 16	1000
NSi8242W0-DSWWR	5	2	2	150	Low	-40 to 125°C	2	SOP16 (600mil)	SOWW 16	1000
NSi8242W1-DSWWR	5	2	2	150	High	-40 to 125°C	2	SOP16 (600mil)	SOWW 16	1000

NOTE: All packages are RoHS-compliant with peak reflow temperatures of 260 °C according to the JEDEC industry standard classifications and peak solder temperatures.
All devices are AEC-Q100 qualified.

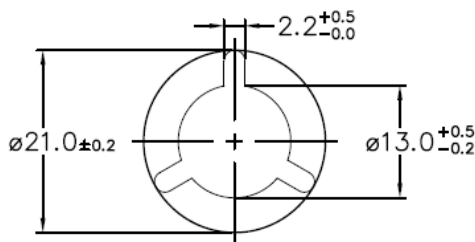
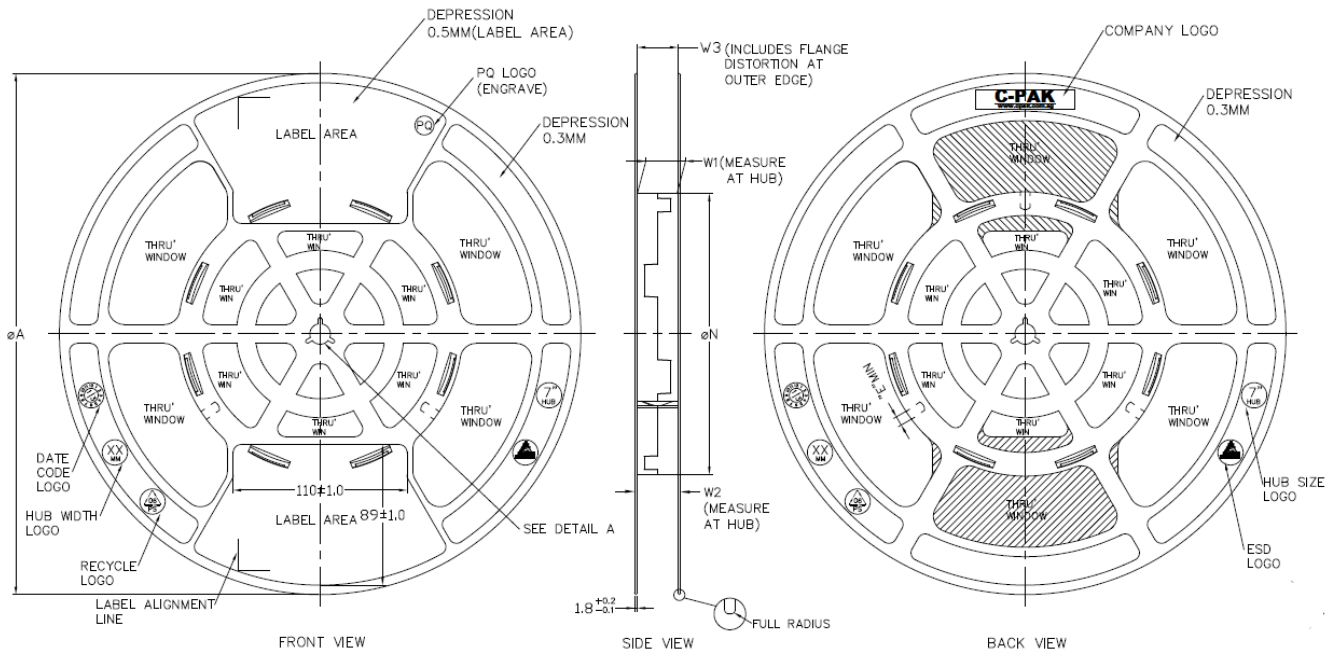
Part Number Rule:



11. Documentation Support

Part Number	Product Folder	Datasheet	Technical Documents	Isolator selection guide
NSi824x	Click here	Click here	Click here	Click here

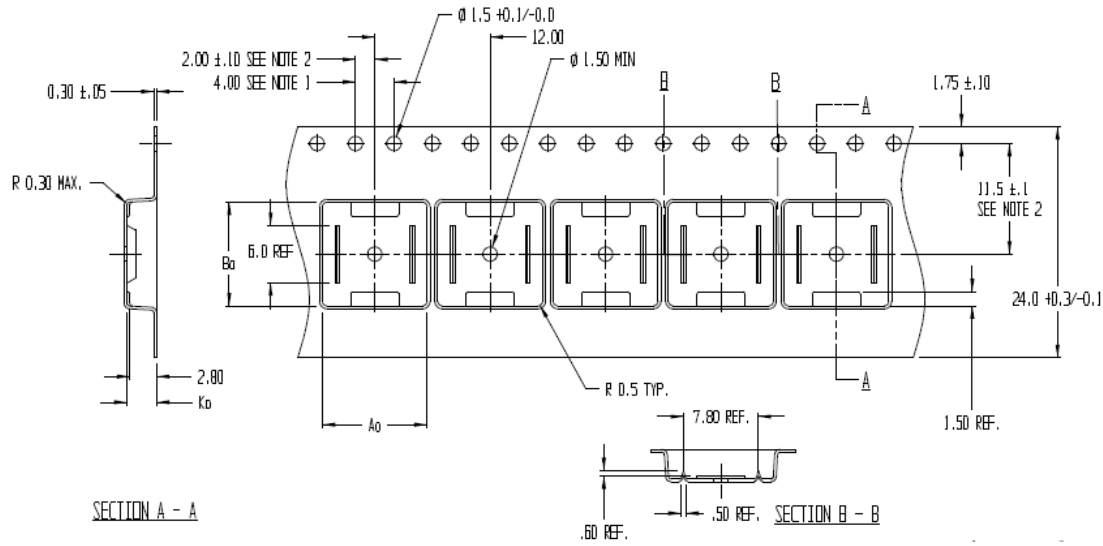
12. TAPE AND REEL INFORMATION



ARBOR HOLE
DETAIL A
SCALE : 3:1

PRODUCT SPECIFICATION						
TAPE WIDTH	ϕA ± 2.0	ϕN ± 2.0	W1	W2 (MAX)	W3	E (MIN)
08MM	330	178	8.4 ^{+1.5} _{-0.0}	14.4	SHALL ACCOMMODATE TAPE WIDTH WITHOUT INTERFERENCE	5.5
12MM	330	178	12.4 ^{+2.0} _{-0.0}	18.4		5.5
16MM	330	178	16.4 ^{+2.0} _{-0.0}	22.4		5.5
24MM	330	178	24.4 ^{+2.0} _{-0.0}	30.4		5.5
32MM	330	178	32.4 ^{+2.0} _{-0.0}	38.4		5.5

SURFACE RESISTIVITY			
LEGEND	SR RANGE	TYPE	COLOUR
A	BELOW 10 ¹²	ANTISTATIC	ALL TYPES
B	10 ⁸ TO 10 ¹¹	STATIC DISSIPATIVE	BLACK ONLY
C	10 ⁵ & BELOW 10 ⁵	CONDUCTIVE (GENERIC)	BLACK ONLY
E	10 ⁸ TO 10 ¹¹	ANTISTATIC (COATED)	ALL TYPES



NOTES:

1. 10 SPROCKET HOLE PITCH CUMULATIVE TOLERANCE ±0.2
2. POCKET POSITION RELATIVE TO SPROCKET HOLE MEASURED AS TRUE POSITION OF POCKET, NOT POCKET HOLE
3. A₀ AND B₀ ARE CALCULATED ON A PLANE AT A DISTANCE "R" ABOVE THE BOTTOM OF THE POCKET.

A₀ = 10.90
 B₀ = 10.80
 K₀ = 3.1

Figure 11.1 Tape and Reel Information of SOP16(300mil)

13. Revision history

Revision	Description	Date
1.0	Initial version	2020/11/13