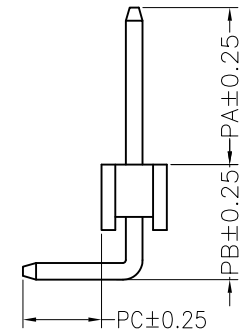
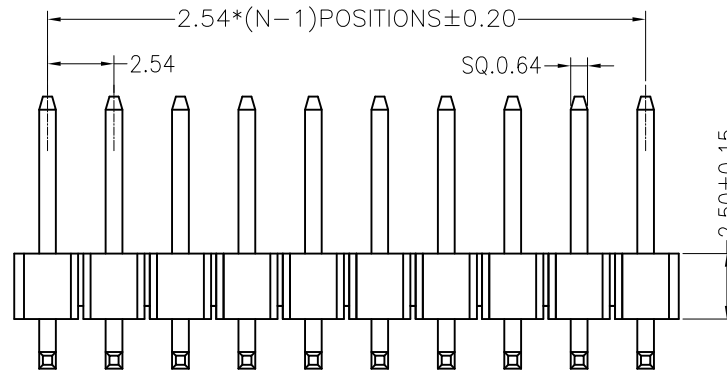
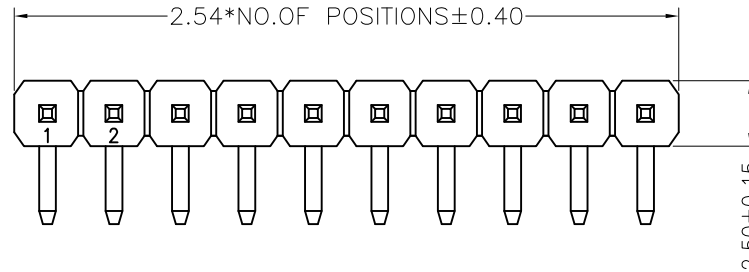
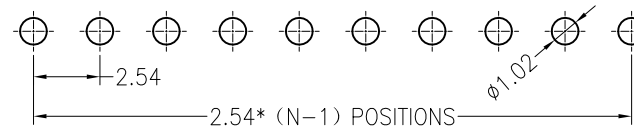


NOTES:

Voltage Rating:250V AC/DC  
 Current Rating:3.0A AC/DC  
 Dielectric Withstand Voltage:500V AC/minute  
 Contact Voltage:20M Max.  
 Insulation Voltage:1000M Min  
 Operation temperature:-40 °C to +105 °C  
 Insulator Material:Polyester .UL94V-0  
 Contact Material:Brass  
 Contact Plating:AuorSn Plated on Nickel Overall

Recommended P.C.B Layout  
 P.C.B Board Tolerance±0.05



R1

塑胶高度可选 (mm)					常用
H	1.0	1.5	2.0	2.54	

Dimension antitheses list				
item	PA	PB	PC	L
Standard	6.00	4.40	3.00	13.80
Alternate	---	---	---	---

—		new		2015/5/3	A	瀚源
ECN BO.		DESCRIPTION.		DATE.	REV.	
DESIGNED	CHECKED	APPROVAL	DRAWING NUMBER	SCALT: 1/2		SCALE: 3:1
Mikey	Tom	Jerry	PART NAME	2541WR-XXP	UNLESS OTHERWISE SPECIFIED, TOLERANCE:	X. ±0.25
			MODEL NAME	2541WR-XXP		X.x ±0.20
			3RD ANGLE PROJ	HanElectricity Co.,LTD		X.xx ±0.15
					ANGULAR	±3'
						FILE NO.