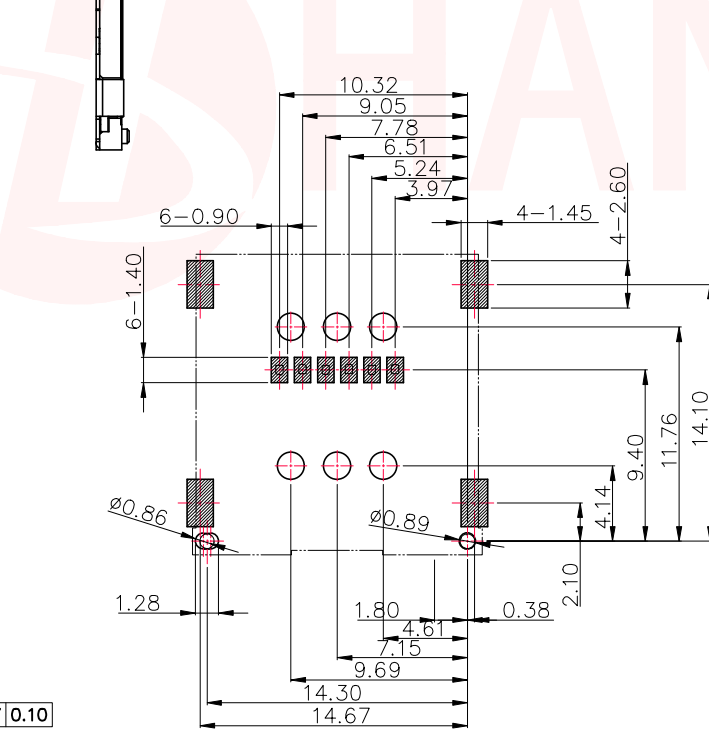
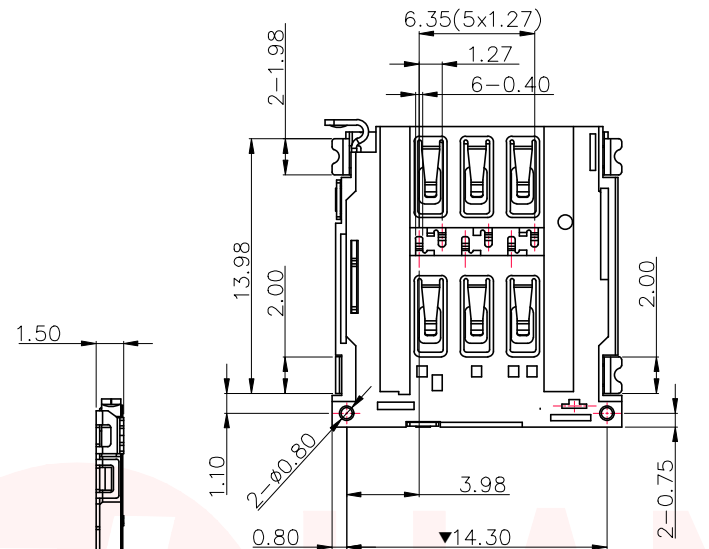
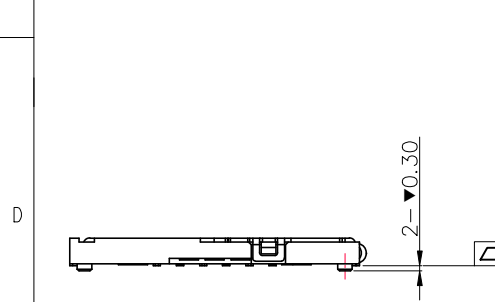
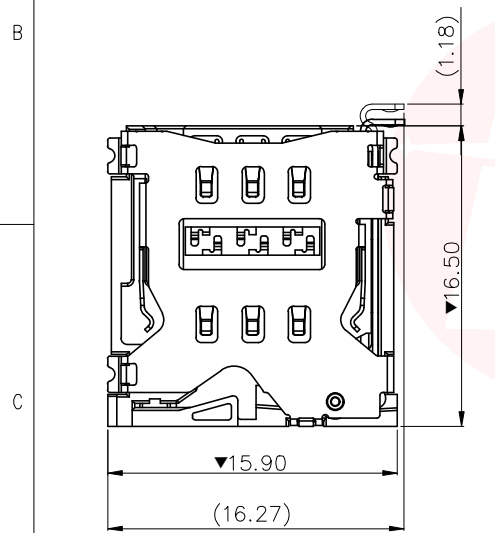
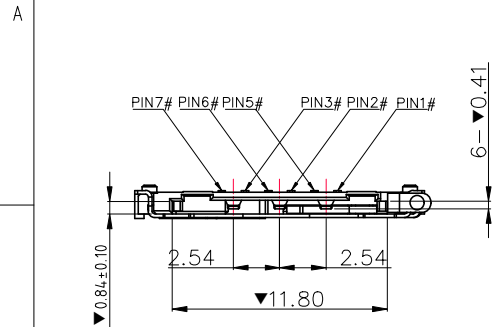


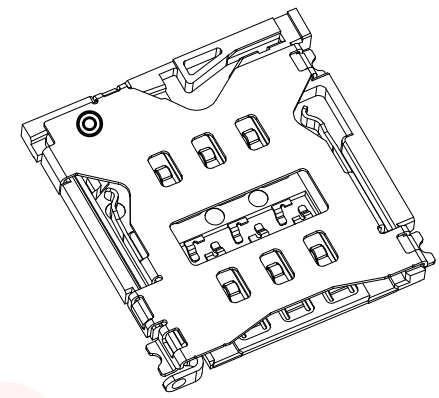


REV.	ECN NO OR DESCRIPTION	REVISED	DATE



RECOMMENDED
PCB PATTERN LAYOUT(TOP VIEW)
TOLERANCE: ±0.05

PIN1	VCC
PIN2	RST
PIN3	CLK
PIN5	GND
PIN6	VPP
PIN7	I/O



NOTES:

- ELECTRICAL CHARACTERISTICS:
 - CURRENT RATING: 1 Amp/PIN. MAX.
 - VOLTAGE: 30V DC. MAX.
 - LOW LEVEL CONTACT RESISTANCE: 30 mOhms MAX. INITIALLY.
 - DIELECTRIC WITHSTANDING VOLTAGE: 500V AC MIN. FOR 1 MINUTE.
 - INSULATION RESISTANCE: 100MOhms MIN.(DC 500V FOR 1 MINUTE)
- MECHANICAL CHARACTERISTICS:
 - DURABILITY: 1500 CYCLES.
 - OPERATING FORCE (INSERTING & WITHDRAWAL): 1N-10N.
- ENVIRONMENTAL CHARACTERISTICS:
 - OPERATING TEMP. RANGE: -25°C TO 85°C. [INCLUDING TERMINAL TEMP. RISE]
 - STORAGE TEMP.: -40°C TO 85°C.
- QUANTITY OF PRODUCTS: 1000PCS/REEL.
- PLEASE CONTACT GOSTAR SALES REPRESENTATIVE TO VERIFY PRODUCT DETAILS.

ITEM	PART NAME	Q'TY	DESCRIPTION
5	LEVER	1	SUS,
4	CAM	1	SUS,
3	SHELL	1	SUS, GOLD PLATING
2	HOUSING	1	LCP, BLACK
1	CONTACT	1	BRONZE ALLOY, GOLD PLATING

UNLESS OTHERWISE SPECIFIED TOLERANCES		东莞市汉博电子科技有限公司 DONGGUAN HANBO TECHNOLOGY CO., LTD			
DECIMALS:	ANGLES:	TITLE	NANO SIM CARD 6PIN 15H CONN WITH LEVER (NO DITECT)		
X : ±0.20	X : ±2°	DWN	xiong	PART NO. SNO-1370	
X.X : ±0.15	X.X : ±1°	CHKD	lee	SCALE: 1:1	UNIT: mm
X.XX : ±0.10		APVD	wang	SIZE: A4	SHEET: 10F 1
CUSTOMER COPY					