

## DESCRIPTION

12V6A, 60W PD(Powered Device) Integrated Module (Isolation Type)

## FEATURES

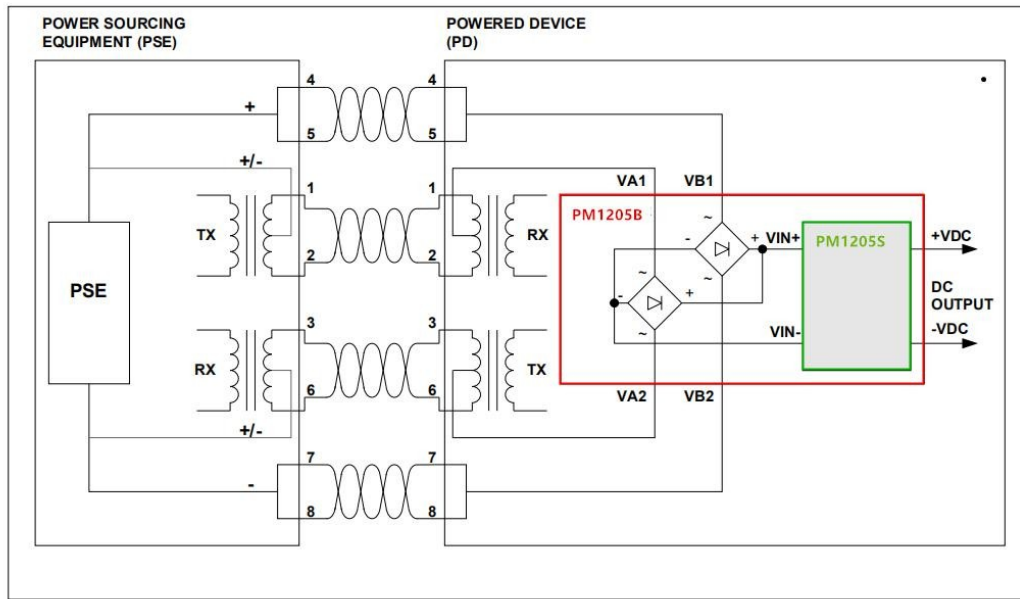
- Fully supports IEEE802.3af/at/bt
- Input Voltage Range 44V to 57V
- Short Circuit Protection
- Over-temperature Protection
- Programmable Classification (Default : Class 8)
- High Efficiency
- Easy Installation and Low Cost (Isolation Type, Minimum External Devices required)
- Low Output Ripple and Noise
- Adjustable Output Voltage
- 1500Vrms Isolation (Input-Output)

## PIN ASSIGNMENT

### PM1206B

Pin #	Name	Description
1	VA1	Input (1). This input pin connects to the centre tap of the transformer connected to pins 1&2 of the RJ45 connector. It is not polarity sensitive.
2	VA2	Input (2). This input pin connects to the centre tap of the transformer connected to pins 3&6 of the RJ45 connector. It is not polarity sensitive.
3	VB1	Direct Input (1). This input pin connects to pin 4&5 of the RJ45 connector(or centre tap of 4&5). It is not polarity sensitive.
4	VB2	Direct Input (2). This input pin connects to pin 7&8 of the RJ45 connector(or centre tap of 7&8). It is not polarity sensitive.
5, 6	-VDC	Negative DC Output. This pin provides the -VDC output.
7, 8	+VDC	Positive DC Output. This pin provides the +VDC output.

Typical System Diagram



ELECTRICAL SPECIFICATIONS

No	Item	Specification
1	Input Voltage	44~57V
2	Output Voltage	12V Typ.
3	Output Current (Vin=56V)	6A Max.
4	Line Regulation	1%
5	Load Regulation	1%
6	Ripple & Noise	200mVp-p max.
7	Efficiency	94% max.
8	Input to Output Isolation	1500 Vrms
9	Type of DC/DC Converter	Active-Clamp Forward
10	Operating Temperature	-20 ~ +50 °C



from here is 1-8  
从这里开始是1-8