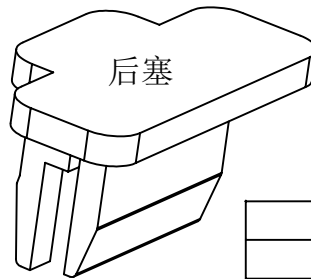
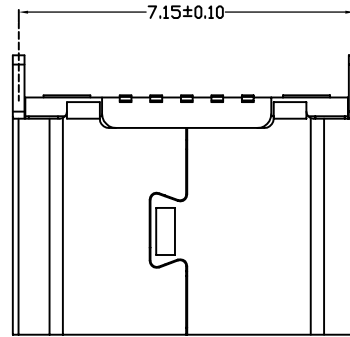
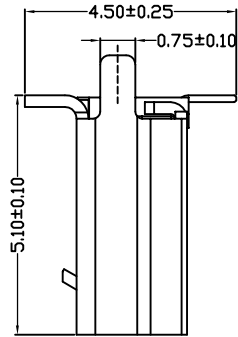
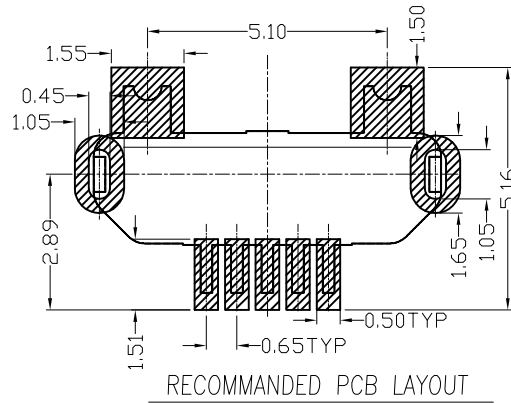
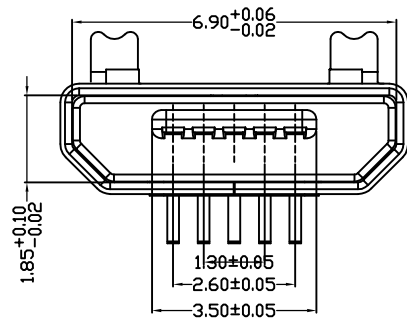
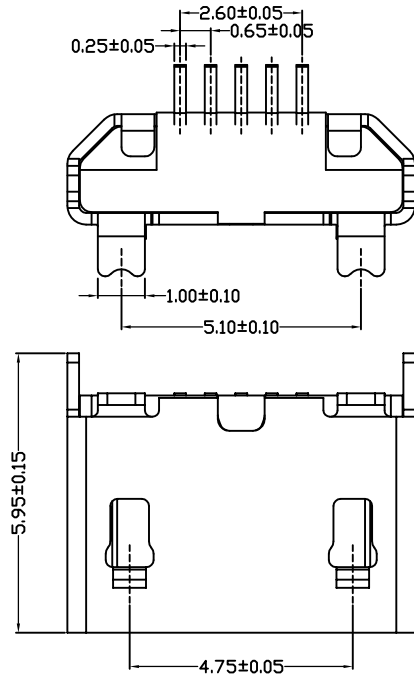


符合RoHS环保要求



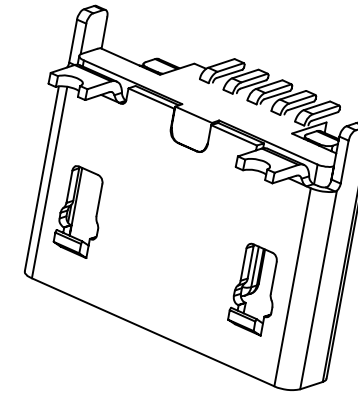
备注:

1. 产品规格:

- 1-1. 插入力: 35N MAX.
- 1-2. 拔出力: 8N MIN. INITIAL 8-25N AFTER
- 1-3. 额定电流: 1.0A
- 1-4. 额定电压: 30V
- 1-5. 耐久性: 5000 CYCLES MIN.
- 1-6. 耐电压: 100V AC MIN.
- 1-7. 接触阻抗: 30mΩ MAX. INITIAL; 40mΩ MAX AFTER
- 1-8. 绝缘电阻: 100MΩ MIN
- 1-9. 工作温度: -30° TO +80°

2. 材质:

- 2.1 胶芯: LCP UL94V-0
  - 2.2 端子: C2680R-H, 镍底, 镀全金1μ"
  - 2.3 外壳: SUS201/301, 表面镀雾锡/镀镍
3. 重点尺寸标识"▲"符号



		new		2015/5/3	A	瀚源
ECN BO.		DESCRIPTION.		DATE.	REV.	
DESIGNED	CHECKED	APPROVAL	DRAWING NUMBER	SCALT: 1/2		SCALE: 3:1
Mikey	Tom	Jerry	PART NAME	051N-4BCH51-F2	UNLESS OTHERWISE SPECIFIED, TOLERANCE:	X. ±0.25
			MODEL NAME	051N-4BCH51-F2		X.x ±0.20
			3RD ANGLE PROJ	HanElectricity Co.,LTD		X.xx ±0.15
						ANGULAR ±3'
						FILE NO.