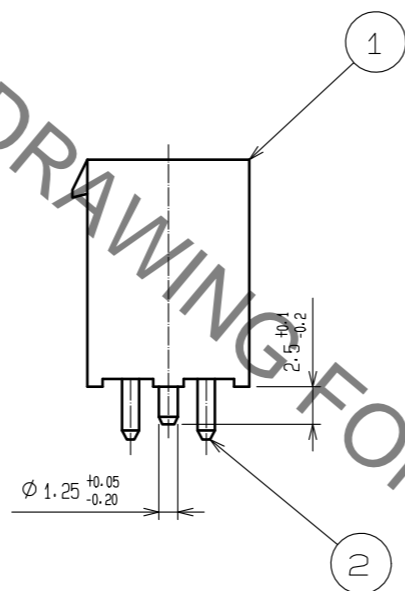
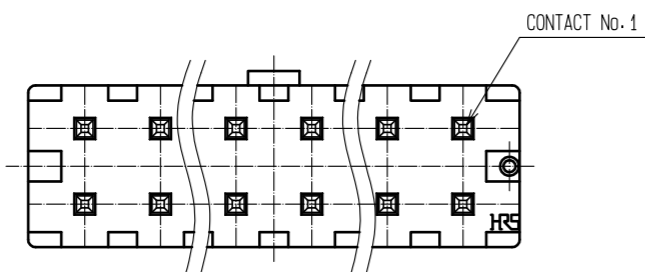
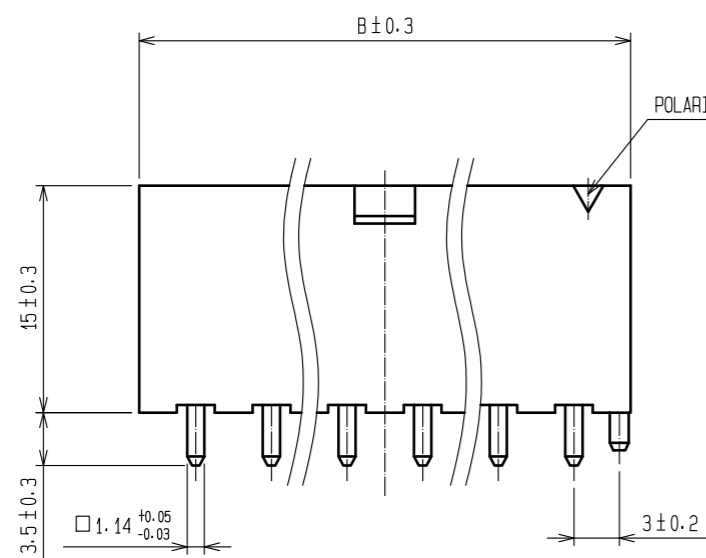
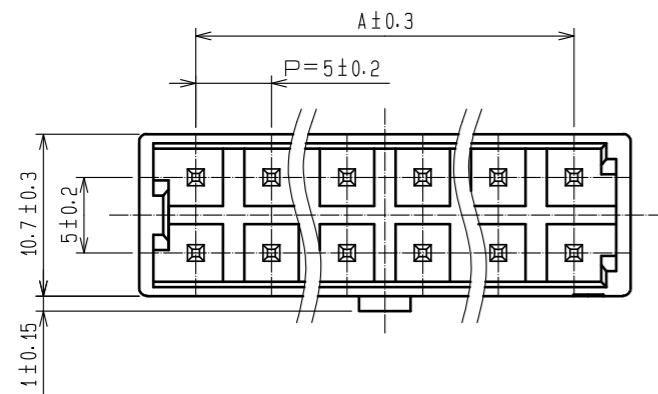
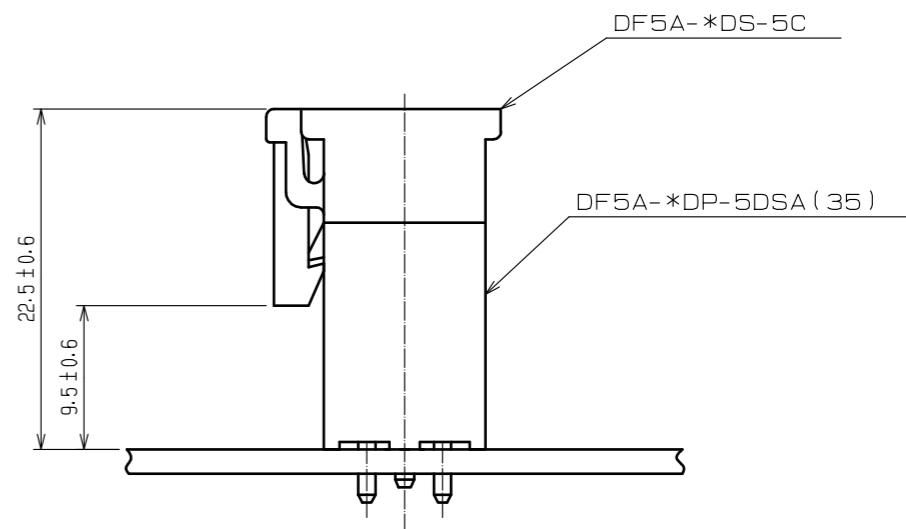


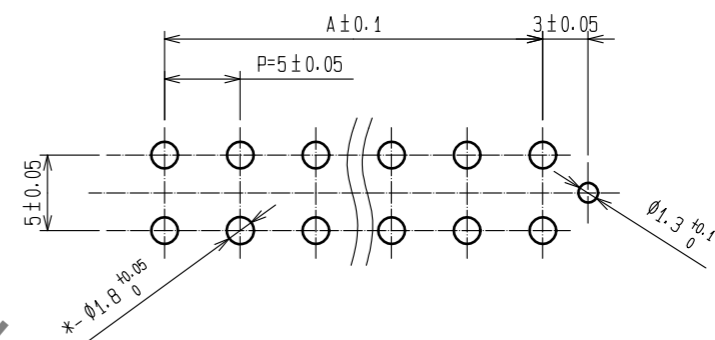
Dec.1.2021 Copyright 2021 HIROSE ELECTRIC CO., LTD. All Rights Reserved.
In case of consideration for using Automotive equipment / device which demand high reliability, kindly contact our sales window correspondents.



APPLICATION DIAGRAM



RECOMMENDED PCB LAYOUT (t=1.6 ± 0.1)



PART No.	CODE No.	A	B
DF5A-4DP-5DSA (35)	CL676-0029-0-35	-	12.5
DF5A-6DP-5DSA (35)	CL676-0030-0-35	10.0	17.5
DF5A-8DP-5DSA (35)	CL676-0031-2-35	15.0	22.5
DF5A-10DP-5DSA (35)	CL676-0032-5-35	20.0	27.5
DF5A-12DP-5DSA (35)	CL676-0033-8-35	25.0	32.5
DF5A-14DP-5DSA (35)	CL676-0034-0-35	30.0	37.5
DF5A-16DP-5DSA (35)	CL676-0035-3-35	35.0	42.5

NO.	MATERIAL	FINISH . REMARKS	NO.	MATERIAL	FINISH . REMARKS
1	POLYAMIDE	NATURAL (BEIGE) . UL94V-0	2	BRASS	SURFACE:TIN PLATED 1µm min UNDER PLATING:NICKEL PLATED 0.5µm min

UNITS	SCALE	COUNT	DESCRIPTION OF REVISIONS	DESIGNED	CHECKED	DATE
mm	2 : 1	△				

HRS HIROSE ELECTRIC CO., LTD.	APPROVED : KI. AKIYAMA	15.08.08	DRAWING NO.	EDC-302829-35-01
	CHECKED : TS. FUKUSHIMA	15.08.08	PART NO.	DF5A-*DP-5DSA(35)
	DESIGNED : TS. KUMAZAWA	15.08.08	CODE NO.	CL676
	DRAWN : TS. KUMAZAWA	15.08.08		