



Approval Sheet for Product Specification

Product Name: SMD 5.0*3.2 Crystal oscillator

Candor P/N: TAOM4.9152M4QWFCET2T

REV:A0

Customer P/N: _____

Company : _____

Division: _____

Approved by: _____

Date: _____

Checked by: _____ 2021.9.15 _____

Approval by: _____ 2021.9.15 _____

*****1*****



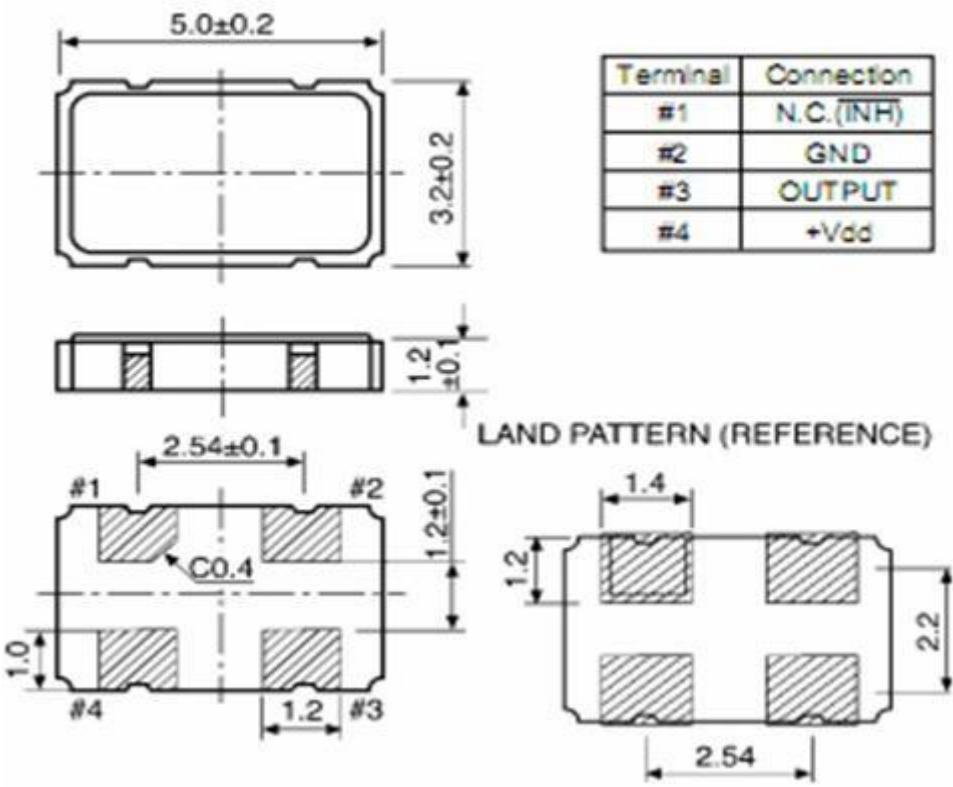
■ Electrical Specifications

1.Model No	5032 OSC
2.Nominal Frequency	4.9152MHz
3.Mode of Oscillation	Fundamental
4.Operating Temperature Range	-40°C to 85 °C
5.Storage Temperature Range	-55°C to +125°C
6.Frequency Stability	±20ppm
7.Power Supply Voltage	±3.3V
8.Input Current	10mA Max. : 1.500- 32.000MHz 15mA Max. : 32.001- 50.000MHz 25mA Max. : 50.000- 70.000MHz 60mA Max. : 70.001- 125.00MHz
9.Output Voltage	Logic High(Voh) 90%Vdd Min Logic Low(Vol) 10%Vdd Max
10.Output Load	15pF max CMOS Load
11.Semmetry (at 50%VDD)	40-60%Normal
12.Rise & Fall Time	8ns Max.
13.E/D or N/C.	Tri-state
14.Output Disable Time	100nsec
15.Output Enable Time(start-up time)	10msec max
16.Aging	±3ppm/year
17.Unit Weight	

■ Part Number Configuration

■ Dimensions

CXO-5032

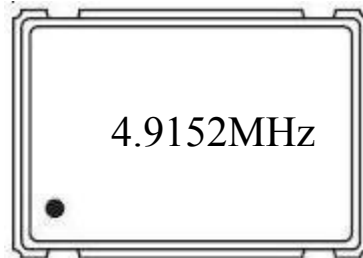


Pad	1	2	3	4
Connection	N.C.(INH)	GND	OUTPUT	VDD

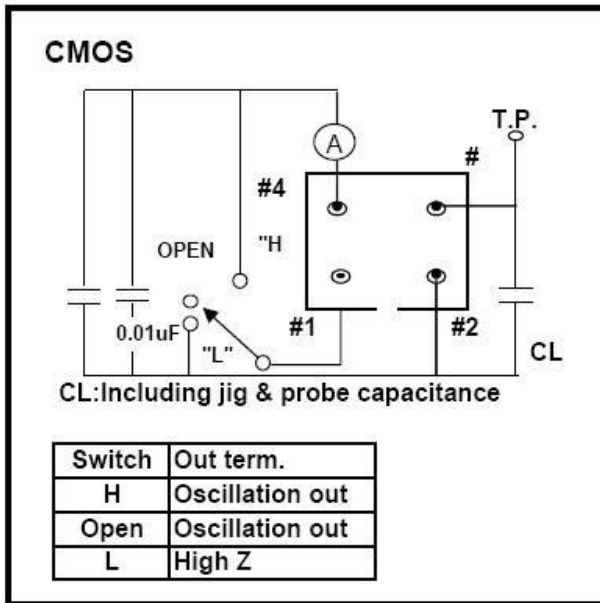
*****3*****

■ Marking

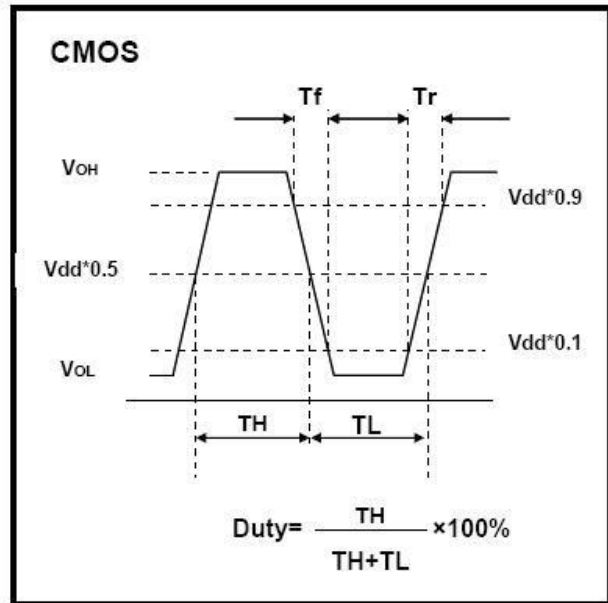
- Line 1: 客户指定印字 →
- Line 2: ● → Pin#1 indication



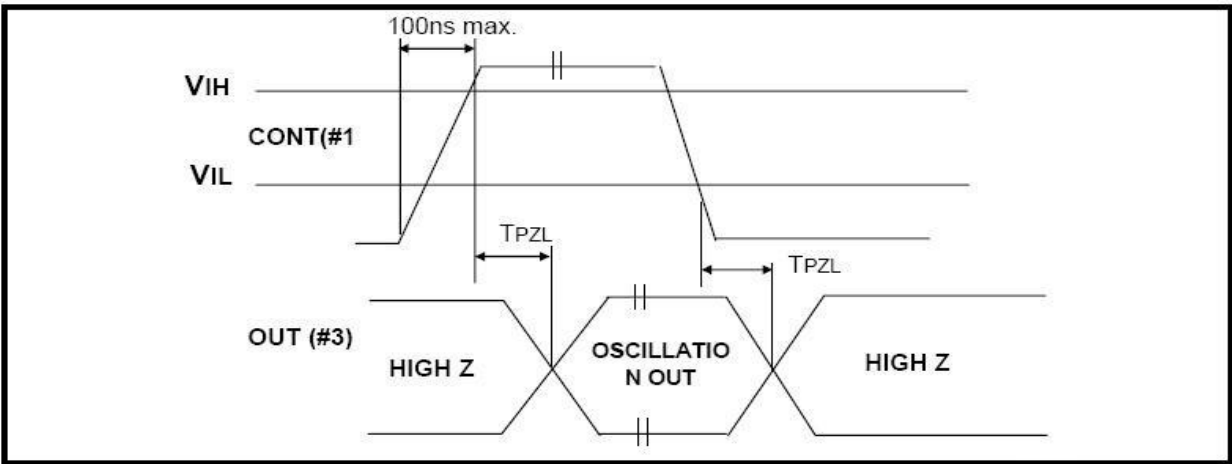
■ Measurement Circuit



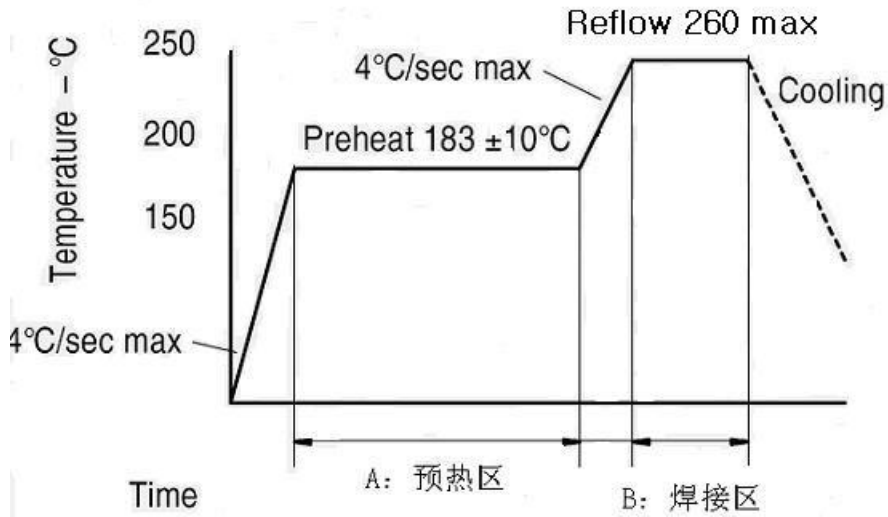
Output Wave Form



Input Output Condition



Reflow Profile

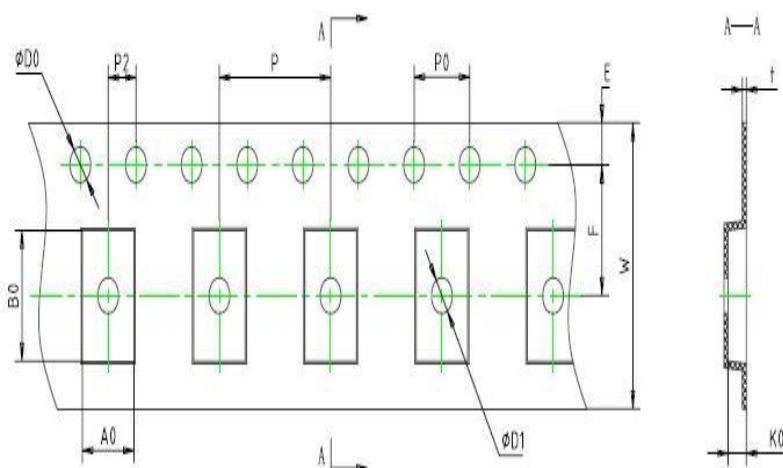
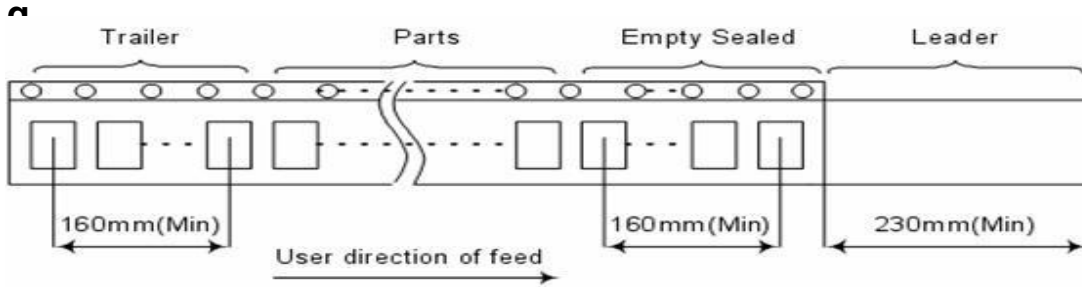




■ Reliability Specifications

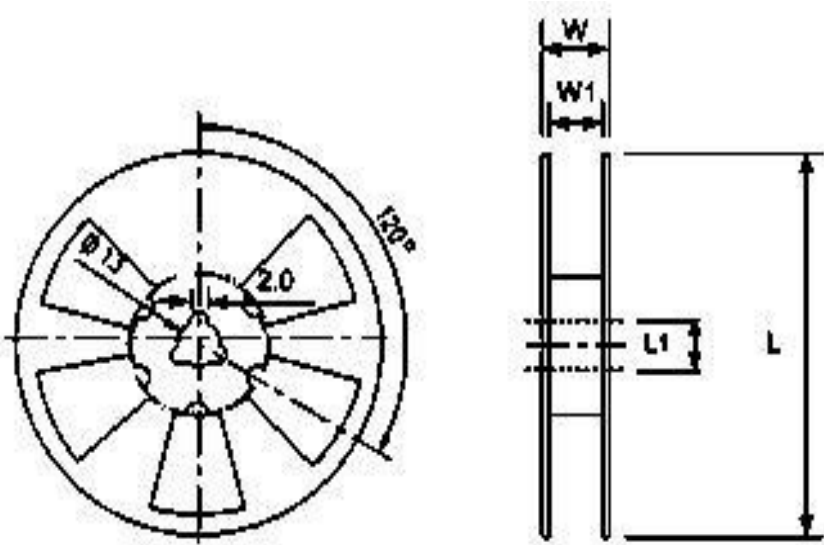
No	TestItem	Test Methods
1	DROP TEST	Device are dropped from a height of 75 cm onto 3 mm thickness stainless plate executing 3 times of random drops.
2	MECHANICAL SHOCK	Device are shocked to half sine wave (1000 G) three mutually perpendicular axes each 3 times.
3	High Temp and Humidity Test	85°C/RH 85%, 500Hrs
4	High temp storage test	125°C+/-2°C 500Hrs
5	Low temp storage test	-40°C 500Hrs
6	Thermal shock test	-40°C~+85°C DWEL 60' 100cycles
7	Aging test	85°C 1000Hrs
8	Resistance to solder heat	260°C 10S
9	VIBRATION	Frequency range 10-2000 Hz Amplitude Sweep 1.5 mm Sweep Time 20 minute Test Time 2 hours
10	SOLDERABILITY	MIL - STD - 20E Method 208C Temperature 245°C±5°C Material H63A (Silver 2-3 %) Immersion depth 0.5 mm minimum Immersion time 3 ± 0.5 seconds Flux Rosin resin methyl

■ Packin



外觀	尺寸 (mm)
E	1.75 ± 0.10
E2	10.25MIN
F	5.50 ± 0.10
P2	2.00 ± 0.10
$\phi D0$	$1.50 \begin{smallmatrix} +0.10 \\ -0.00 \end{smallmatrix}$
$\phi D1$	1.50MIN
P0	4.00 ± 0.10
10P0	40.00 ± 0.2
W	12.00 ± 0.30
P	8.00 ± 0.10
A0	3.70 ± 0.10
B0	5.50 ± 0.10
K0	1.30 ± 0.10
t	0.30 ± 0.05

■ Reel Dimension



DEMONSTRATIONS	L	L1	W	W1	Pcs/Reel (UNIT: mm)
	178	13	12.0+/-0.3	11.5	Standard Reel Quantity is 1,000 pcs per reel

NOTE: 1. packgeing q'ty 1000PCS /REEL

*****8*****