

DESCRIPTION

13W PD(Powered Device) Integrated Module (Isolation Type)

FEATURES

- IEEE802.3af compliant.
- Low cost.
- Support PoE applications in both of Fast / Gigabit Ethernet environments.
- Support wide input voltage range 37Vdc to 57Vdc.
- Thermal cut off.
- Short circuit protection.
- Over current protection
- Programmable Classification (Default:Class 0)
- High DC/DC converting efficiency.
- Less external component one output decoupling capacitor.
- Isolation level 1.5KVrms.
- Enhanced surge protection
- Internal build in 2 channel bridge rectifiers

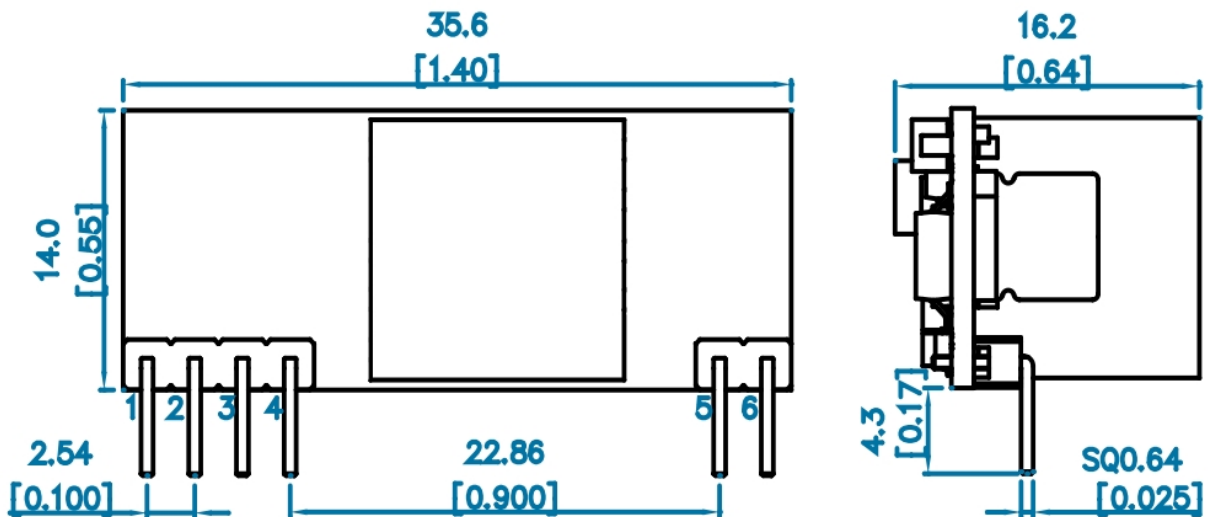
Product List

Part Number	Nominal Output Voltage / Current	Maximum Output Power	Nominal Input Voltage
DP1435-12V	12Vdc / 1.1A	13W @ 25°C	48Vdc
DP1435-5V	5.15Vdc/2.4A	12.4W@25°C	48Vdc

PIN ASSIGNMENT

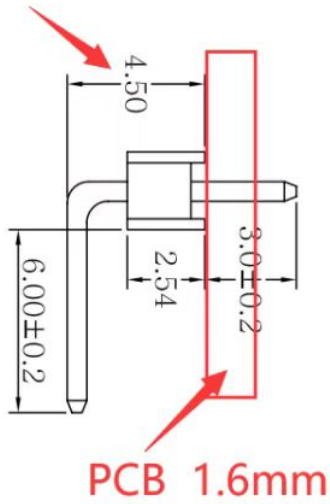
Pin #	Name	Description
1	VA1	RX Input (1). This input pin is used in conjunction with VA2 and connects to the centre tap of the transformer connected to pins 1 & 2 of the RJ45 connector (RX) - it is not polarity sensitive.
2	VA2	TX Input (2). This input pin is used in conjunction with VA1 and connects to the centre tap of the transformer connected to pins 3 & 6 of the RJ45 connector (TX) - it is not polarity sensitive.
3	VB1	Direct Input (1). This input pin is used in conjunction with VB2 and connects to pin 4 & 5 of the RJ45 connector - it is not polarity sensitive.
4	VB2	Direct Input (2). This input pin is used in conjunction with VB1 and connects to pin 7 & 8 of the RJ45 connector - it is not polarity sensitive.
5	GND	DC Return. This pin is the return path for the +VDC output.
6	VOUT	DC Output. This pin provides the regulated output from the DC/DC converter.

Package

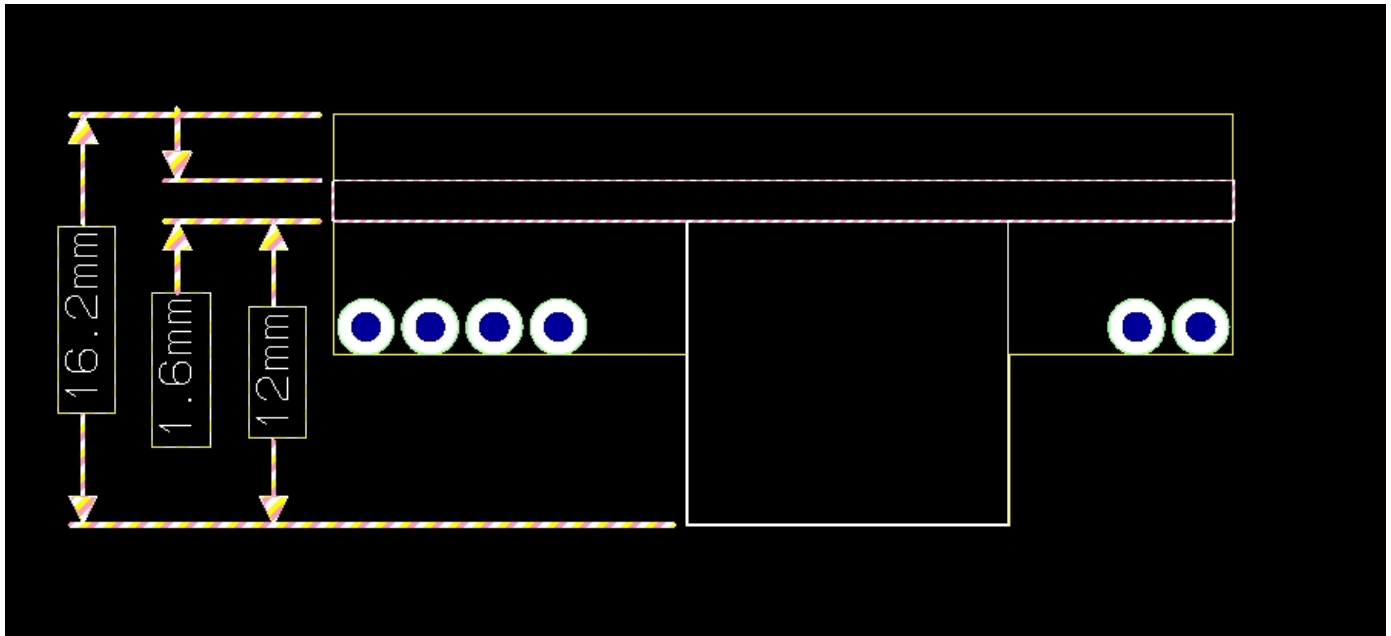
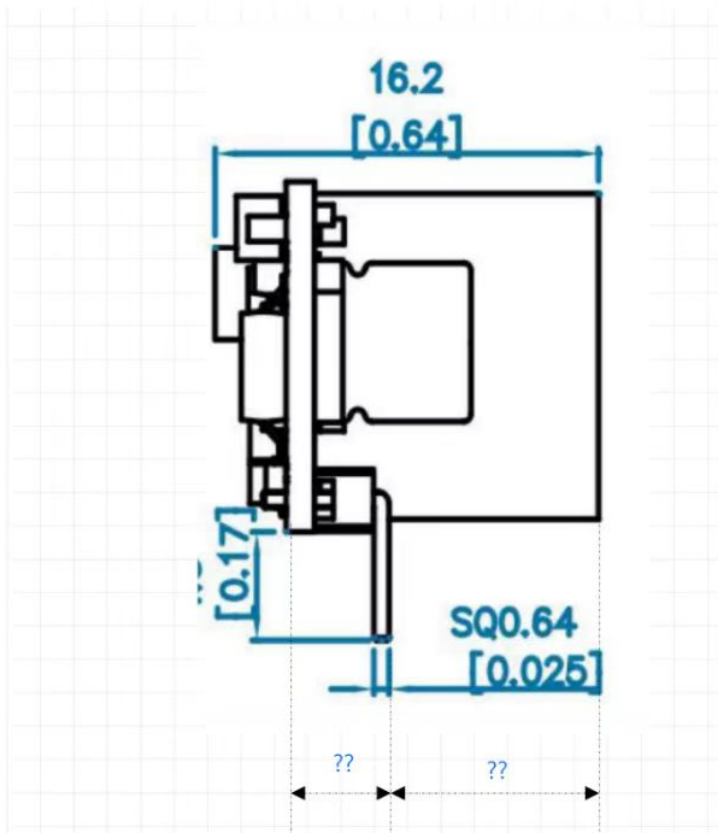


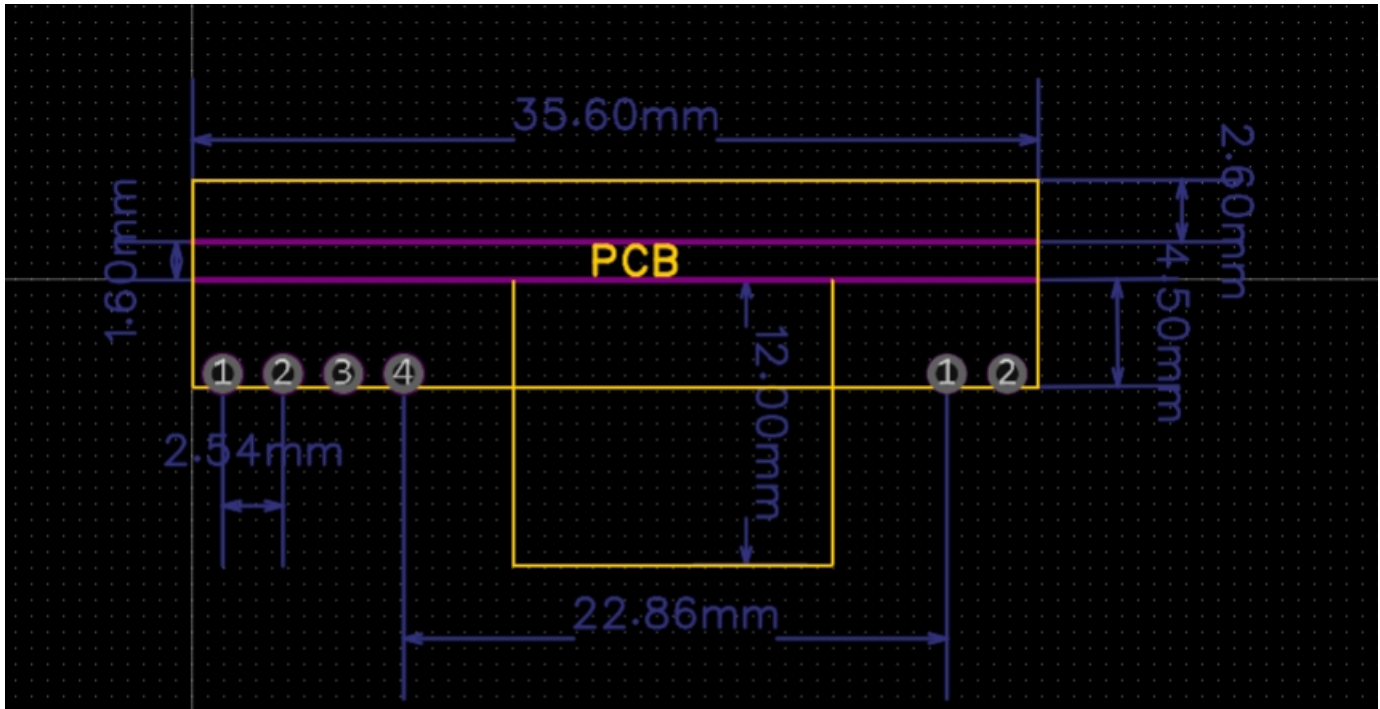
the left is 6.1mm the right is 7.5mm

4.5+1.6=6.1mm 12-4.5=7.5mm



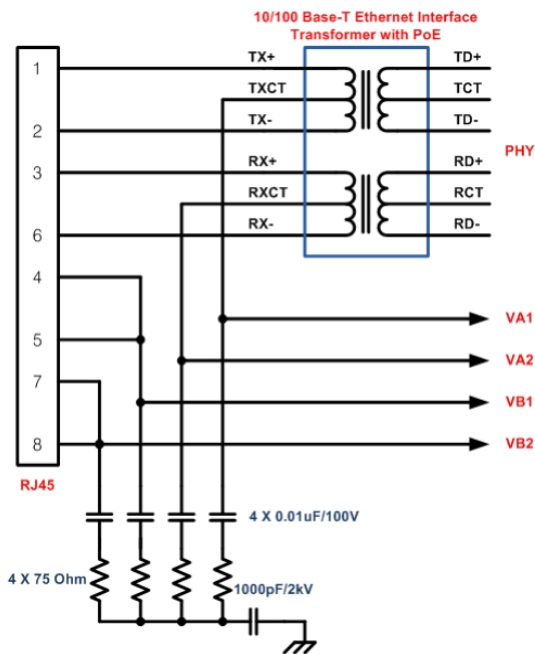
0 14 inf . 7 0



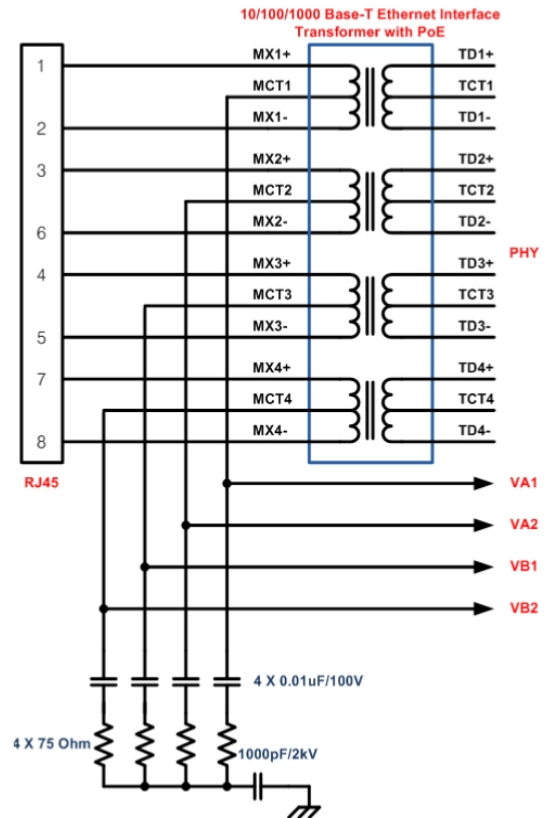


Typical Application

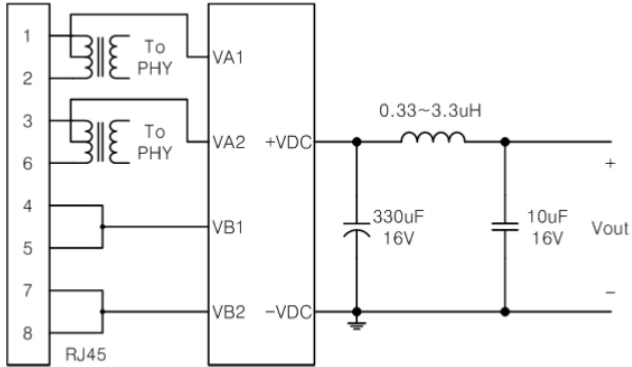
10/100 Base-T APPLICATION



10/100/1000 Base-T APPLICATION

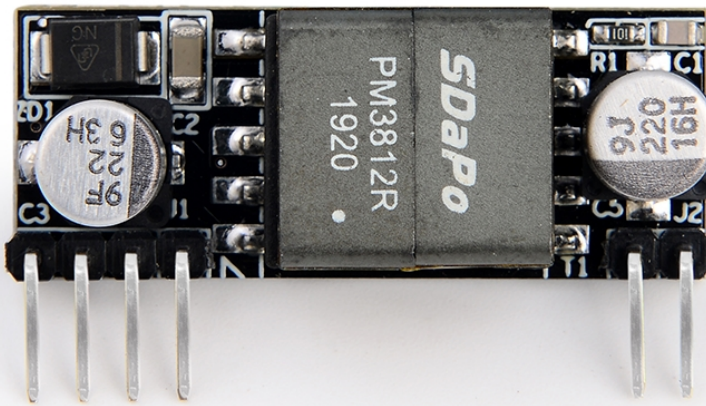


OPTIONAL EXTERNAL LC FILTER FOR LOWER RIPPLE AND NOISE



ELECTRICAL SPECIFICATIONS

No	Item	Specification		Comment
1	Input Voltage	37~57V		
2	Output Voltage	12V Typ.		DP1435-12V
		5.15V Typ.		DP1435-5V
3	Output Current (Vin=56V)	1ATyp.	1.3A Max.	DP1435-12V
		2ATyp.	2.6A Max.	DP1435-5V
4	Line Regulation	5%		
5	Load Regulation	5%		
6	Ripple & Noise	200mVp-p max.		DP1435-12V
		200mVp-p max.		DP1435-5V
7	Efficiency	87% max.		DP1435-12V
		84% max.		DP1435-5V
8	Switching Frequency	180 KHz		DP1435-12V
		250 KHz		DP1435-5V
9	Input to Output Isolation	1.5 KV		
10	Type of DC/DC Converter	Flyback Type		
11	Operating Temperature	-25 ~ +85 °C		DP1435-12V
		-40 ~ +85 °C		DP1435-5V



From here is 1-6
从这里开始是1-6