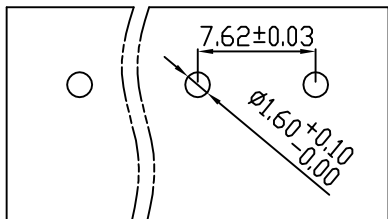


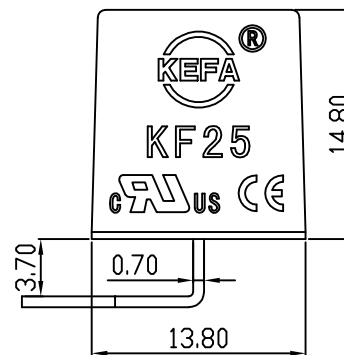
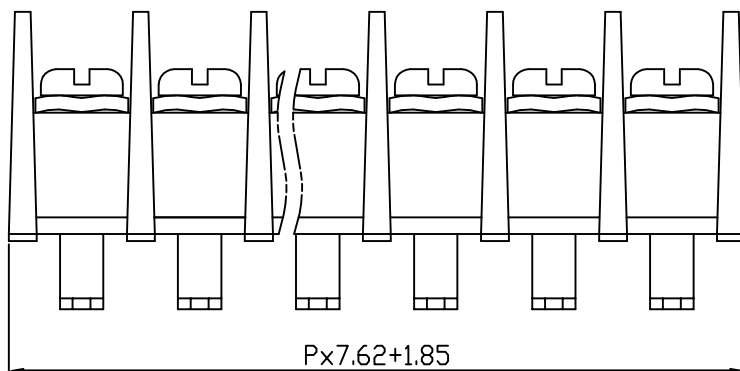
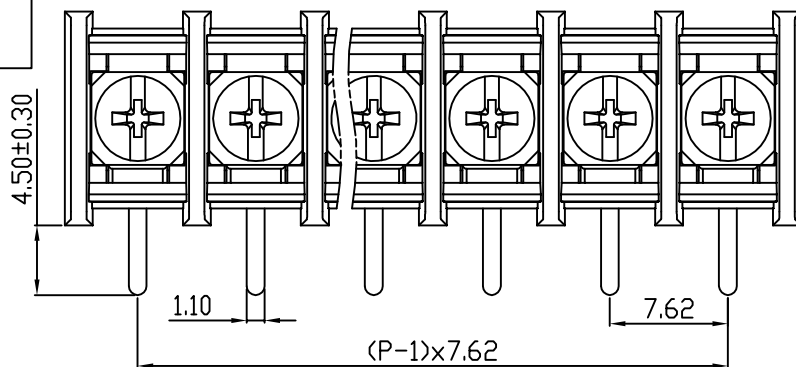
linear dimension(Tolerances Standard GB/T 14486-2008)



variable range	to	over 6	over 10	over 30	over 60	over 100	over 160		over 10	over 100	
	6	to 10	to 30	to 60	to 100	to 160		to 10	to 100	to	
tolerance		±0.20	±0.30	±0.50	±0.70	±1.00	±1.30	±1.60	0.10	0.30	0.60



PCB LAYOUT



REVISION RECORD

REV.	DESCRIPTION	ECN No.	APPROVED	DATE
A	新发行		CLF	21.10.12

UL/CUL 技术参数				
UL/CUL Technical Data				
等级	Use Group	B	C	D
额定电压	Rated Voltage [V]	300	-	-
额定电流	Rated Current [A]	20	-	-
接线范围	Wire Range	22-12		
单/多芯线	Solid/Stranded [AWG]			
IEC 技术参数				
IEC Technical Data				
额定电压	Rated Voltage [V]	250		
额定电流	Rated Current [A]	24		
耐电压	Withstanding Voltage [V/1Min]	2000V/1Min		
导线截面积	Conductor cross section	2.5		
硬质/柔性导线	Solid/flexible [mm <sup>2</sup> ]			
材料		Material		
绝缘材料	Insulation Material	PA66		
阻燃等级	Imflamability	UL94V-0		
导体材料	Contacto Material	铜合金 Copper alloy		
导体表面镀层	Contactive Coating	镀锡 Tin Plated		
一般参数		Other Data		
间距	Pitch [mm]	7.62		
极数	Poles [P]	02~24		
剥线长度	Stripping Length [mm]	-		
螺丝	Screw/扭矩 Torque(Max) [N.m]	M3/0.8		
工作温度	Operating temperatur [°C]	-40~+105		
引针尺寸	Pin Dimensions [mm]	4.5		
PCB板孔径	PCB Hole Diameter [mm]	1.6		

DES.	LQQ	DATE	21.10.12
CHK.	BY	DATE	21.10.12
APP.	CLF	DATE	21.10.12

单位/UNITS mm 尺寸/SIZE A4 比例/SCALE 1:1



慈溪市科发电子有限公司  
CIXI KEFA ELECTRONIC CO., LTD

第三视角/THIRD ANGLE PROJECTION		版本/REV	A
		名称/TITLE	KF25R-7.62