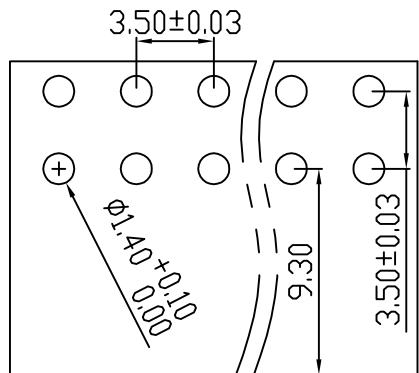


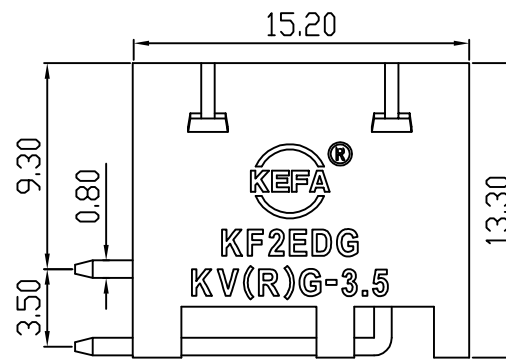
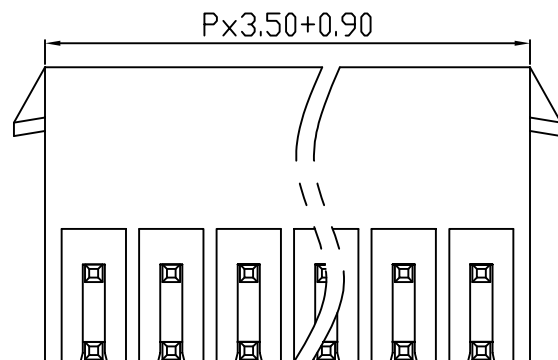
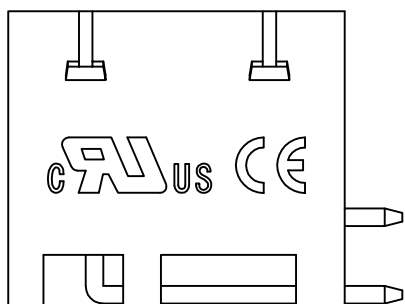
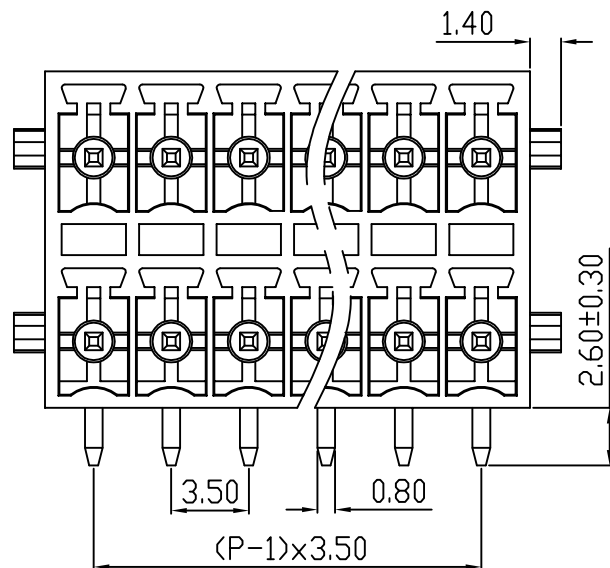
linear dimension(Tolerances Standard GB/T 14486-2008)



variable range	to 6	over 6	over 10	over 30	over 60	over 100	over 160	to 10	over 10	over 100
		to 10	to 30	to 60	to 100	to 160	to 100		to 100	
tolerance	±0.20	±0.30	±0.50	±0.70	±1.00	±1.30	±1.60	0.10	0.30	0.60



PCB LAYOUT



REVISION RECORD

REV.	DESCRIPTION	ECN No.	APPROVED	DATE
A	新发行		GLF	21.03.13

UL/CUL 技术参数 UL/CUL Technical Data					
等级	Use Group	B	C	D	
额定电压	Rated Voltage [V]	300	-	300	
额定电流	Rated Current [A]	8	-	10	
接线范围	Wire Range	-			
单/多芯线	Solid/Stranded [AWG]	-			
耐电压	Withstanding Voltage	1600V/1Min			
IEC 技术参数 IEC Technical Data					
过电压类别	Overvoltage Category	III	III	II	
污染等级	Contamination Class	3	2	2	
额定电压	Rated Voltage [V]	-	160	320	
额定电流	Rated Current [A]	-	7	7	
额定冲击电压	Impulse withstand voltagea [KV]	-	2.5	2.5	
导线截面积	Conductor cross section	-			
硬质/柔性导线	Solid/flexible [mm²]	-			
材料 Material					
绝缘材料	Insulation Material	PA66			
阻燃等级	Imflammability	UL94V-0			
导体材料	Contactive Material	铜合金 Copper alloy			
导体表面镀层	Contactive Coating	镀锡 Tin Plated			
一般参数 Other Data					
间距	Pitch [mm]	3.5			
极数	Poles [P]	2x(2-24)			
剥线长度	Stripping Length [mm]	-			
螺丝	Screw/扭矩 Torque(Max) [N.m]	-			
工作温度	Operating temperatur [°C]	-40~+105			
引针尺寸	Pin Dimensions [mm]	2.6			
PCB板孔径	PCB Hole Diameter [mm]	1.4			

DES.	FZM	DATE	21.03.13	单位/UNITS	mm	尺寸/SIZE	A4	比例/SCALE	1:1	第三视角/THIRD ANGLE PROJECTION	版本/REV	A
CHK.	SY	DATE	21.03.13	慈溪市科发电子有限公司 CIXI KEFA ELECTRONIC CO., LTD				名称/TITLE	<b>KF2EDGKRG-3.5</b>			
APP.	CLF	DATE	21.03.13									