

产品承认书

SPECIFICATION FOR APPROVAL

CUSTOMER:	_____
CUSTOMER P/N:	_____
JXD P/N. :	10CLD106520MH
DESCRIPTION:	Magnetic ring inductance
REF NO:	QTC-001
REV/NO:	A/0
DATE:	2022/12/16

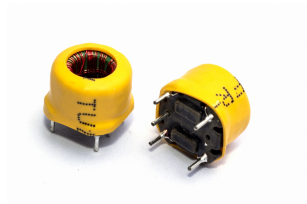
ATTACHMENT:		
<input checked="" type="checkbox"/>	SPECIFICATION	
<input checked="" type="checkbox"/>	SAMPLE	Q'TY OF SAMPLES PCS

	√	CUSTOMER'S SIGNATURE	REMARK
FULL APPROVED			
CONDITIONAL APPROVED			
REJECTED			

CND-TEK

10CLD106520MH

Magnetic ring inductance



V1.0 Dec 16,2022

CND-TEK

深圳磁联达电子有限公司

Shenzhen CND-TEK Electronics Co.,Ltd

公司地址: 深圳市南山区西丽镇街道百旺社区牛城村牛城路221号505

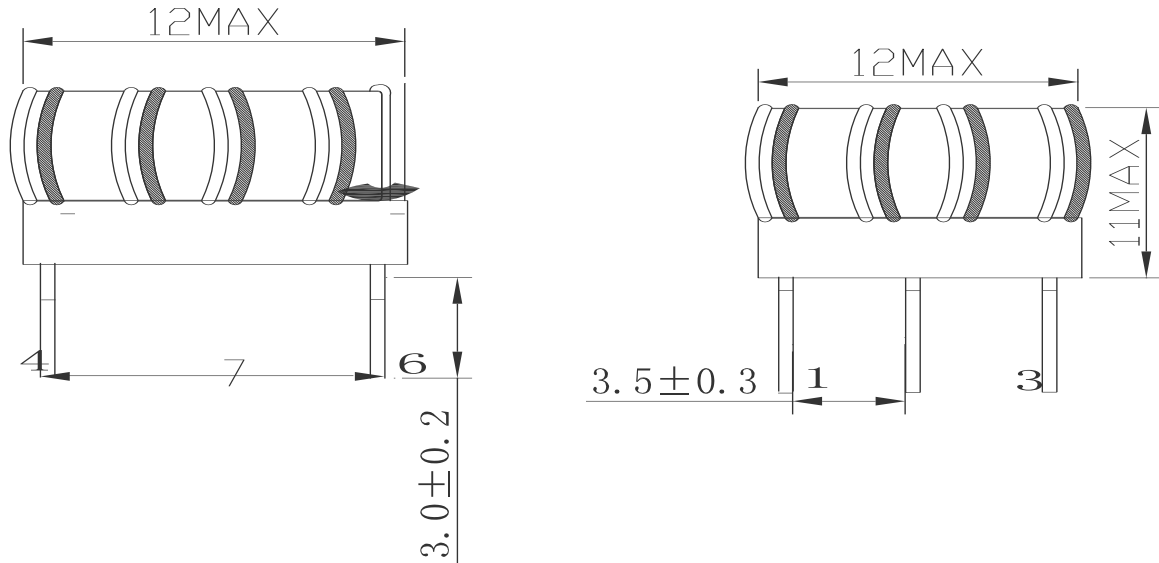
TEL: 86-755-29016433 FAX:86- 755-27652977

Email: sales2@cd-tek.com

Http: //www.cd-tek.com

1.CONFIGURATION & DIMENSIONS

(UNIT:mm) PROJECT:



公差: 未注公差±0.3mm

- 1.引脚长度从底座底部凸点开始算
- 2.双线并绕, 绕线均匀
- 3.外套Ø11*9.5MM黄色的热缩套管

DRAWN BY:	CHECKED BY:	APPROVED BY:	CUSTOMER:
zouwenqiang	Liyonghua	wangshengli	PART NO. : 10CLD106520MH



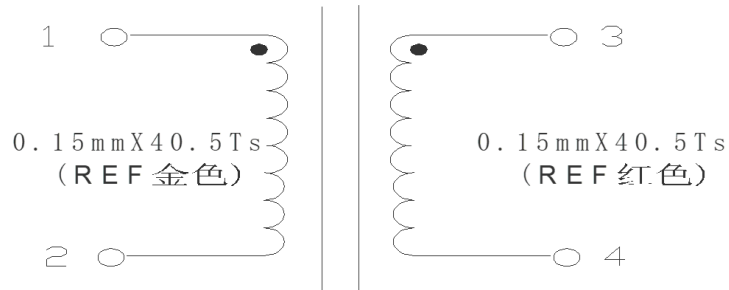
深圳磁联达电子有限公司

REV. : A0

PAGE: 4 OF 7

CND-QTC-001

2. SCHEMATIC



3.WINDING SPECIFICATION:

WDG.	WIRE		TURNS	START---FINISH	COLOR
N1	2UEW-0.15金色		40.5TS	1-----6	双线并绕
N2	2UEW-0.15红色		40.5TS	3-----4	

4. ELECTRICAL CHARACTERISTICS:

ITEM		SPECIFICATION	
1) Inductance 1KHz,0.25Vrms @25℃	L1-6	16MH MIN	1062测试仪
	L3-4	16MH MIN	
2) HI-POT TEST@50Hz/60Hz			425耐压仪

DRAWN BY:	CHECKED BY:	APPROVED BY:	CUSTOMER:
zouwenqiang	Liyonghua	wangshengli	PART NO. :10CLD106520MH
 深圳磁联达电子有限公司			REV.: A1
			PAGE: 5 OF 7

5.ELECTRIC TEST

INDCTANCE TEST:L(S-F)16MHMIN 25度 1KHZ 0.25V

序号\脚位	L1-2	L3-4								
1	18.20	18.20								
2	18.10	18.10								
3	19.30	19.30								
4	20.40	20.40								
5	23.40	23.40								

NO.	1	2	3	4	5					
DCR TEST:										
R (S-F)										

HI-POT TEST: /										
	OK	OK	OK	OK	OK					

6.OUTER DIMENSIONS:外观尺寸

A: 12MAX	11.52	11.55	11.48	11.64	11.53					
B: 11MAX	8.95	8.79	8.96	8.92	8.89					

DRAWN BY:	CHECKED BY:	APPROVED BY:	CUSTOMER:
zouwenqiang	Liyonghua	wangshengli	PART NO. : 10CLD106520MH

CND-TEK

深圳磁联达电子有限公司

REV. : A0

PAGE: 6 OF 7

CND-QTC-001

7.MATERIAL LIST

ITEM	MATERIAL			MANUFACTURER
1) IRON CORE	锰芯T10*6*5			FUSIYUAN,ELECTRONIC CO.,LTD ZHAOQING
2) MAGNT WIRE	2UEW-0.15金色			SHANTOUSHENGANG ELECTRIC WIRE & CABLE CO.,LTD.
	2UEW-0.15红色			SHENGANG TECHNOLOGY CO.,LTD
4)SOLDERBAR	Sn99.90			SHENZHENDECHANG& RI-XHENG XEIEIEN CEAND TECH MOLOGY CO.,LTD
5)BOBEN	BZ-005底座			DONGWANGUDE BEIZENG &HEMICAL CO.,LTD

REPORT BY:

CHECKED BY:

APPROVED BY:

CUSTOMER:

zouwenqiang

Liyonghua

wangshengli

PART NO. : 10CLD106520MH

CND-TEK

深圳磁联达电子有限公司

REV. : A

PAGE: 7 OF 7

CND-QTC-001